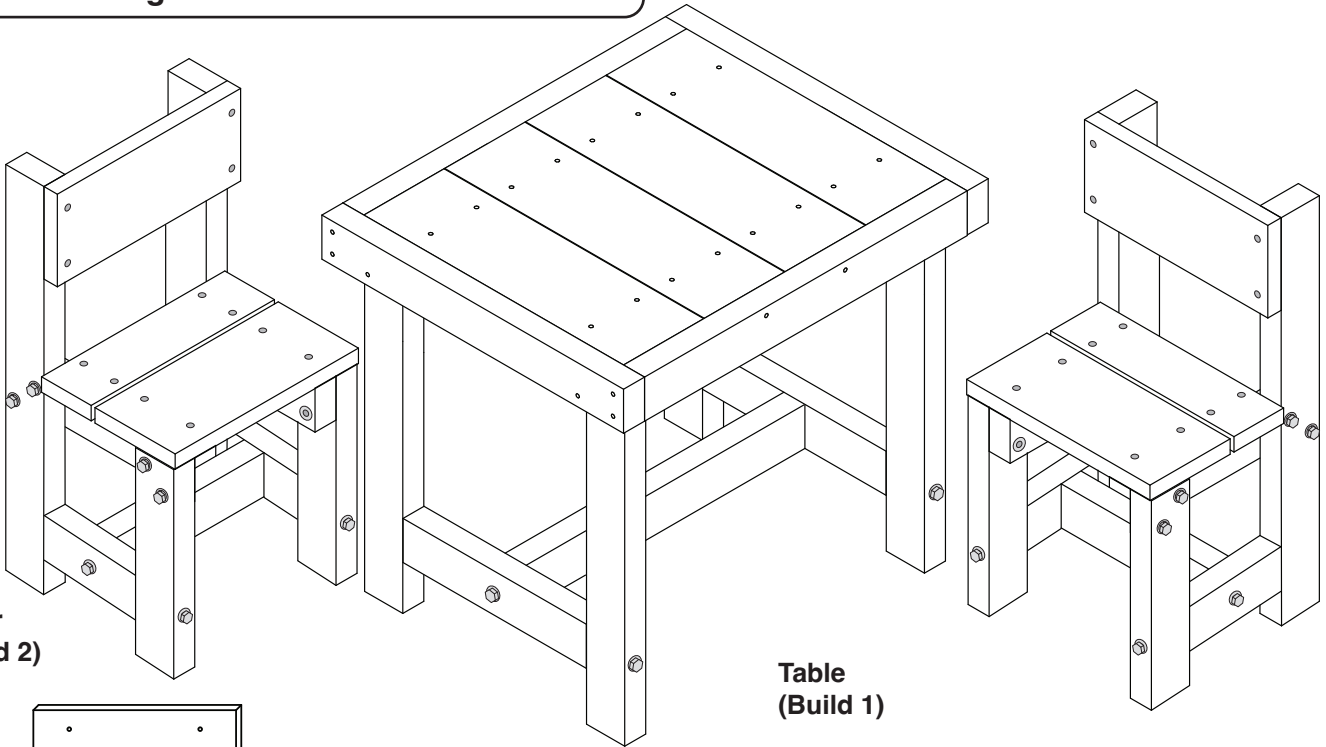


This product is intended for single family home/residential use only and not intended for use in any public setting. Placement in any public setting constitutes a misuse of this product.

All hardware on this set is specially coated for corrosion resistance. If non-Creative Playthings hardware is used, it must be galvanized or stainless steel.

Your play tower assembly guide provides additional information on the care and use of your play set.

Read the entire instruction manual before the assembly of the table & chairs.



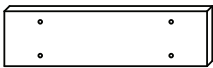
Chair
(Build 2)

Table
(Build 1)

TABLE & CHAIR – AZ976-102



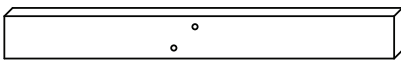
A 2 35713-102 Seat Board 5/4 x 6 x 12"



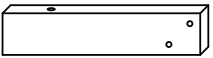
B 2 35714-102 Narrow Seat Board 5/4 x 4 x 12"



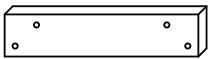
C 2 35715-102 Chair Back 5/4 x 6 x 12"



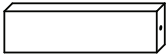
D 4 35716-102 Back Leg 2 x 3 x 23"



E 4 35717-102 Front Leg 2 x 3 x 11-7/8"



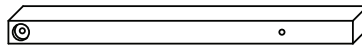
F 4 35718-102 Seat Support 2 x 3 x 11-1/2"



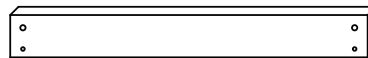
G 2 35719-102 Chair Stretcher 2 x 3 x 9-1/4"



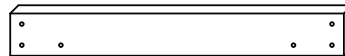
H 4 35720-102 Table Board 5/4 x 6 x 17"



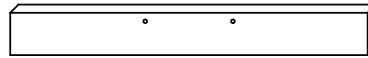
I 4 35721-102 Table Leg 2 x 3 x 20-3/4"



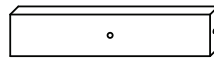
J 2 35722-102 Table Batten 2 x 3 x 21-1/8"



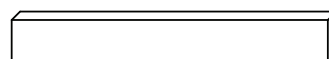
K 2 35723-102 Table End 2 x 3 x 19-3/4"



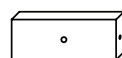
L 2 35724-102 Table Side 2 x 3 x 21-1/8"



M 2 35725-102 End Stretcher 2 x 3 x 12"



N 1 35726-102 Table Stretcher 2 x 3 x 18-3/4"



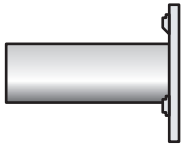
O 4 35746-102 Chair End Stretcher 2 x 3 x 6-1/2"

P 1 50579-700 Hardware, Table & Chairs

Component Part Identification:

Take inventory of all parts, making sure nothing is missing or defective. If you find that parts are missing or defective call the Creative Playthings Customer Service Department at 1-800-598-4997.

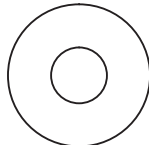
HARDWARE BAG CONTENTS



1/4" Weld Nut



1/4" Lock Washer



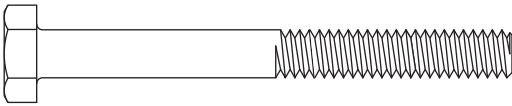
1/4" Flat Washer



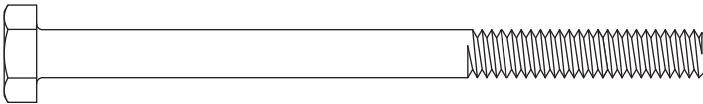
#10 x 2" Screw



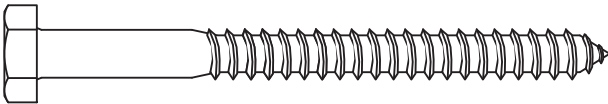
#10 x 2-1/2" Screw



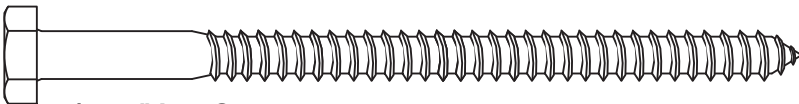
1/4 x 2-1/2" Hex Bolt



1/4 x 3-1/2" Hex Bolt



1/4 x 3" Lag Screw



1/4 x 4" Lag Screw

Hardware, Table and Chairs

20	17001-104	Weld Nut 1/4"
38	12002-205	Flat Washer 1/4"
20	12017-205	Lock Washer 1/4"
44	17020-107	Screw #10 x 2"
25	17020-113	Screw #10 x 2-1/2"
16	17003-1009	Hex Bolt 1/4 x 2-1/2"
4	17003-1409	Hex Bolt 1/4 x 3-1/2"
6	17036-1201	Lag Screw 1/4 x 3"
12	17036-1601	Lag Screw 1/4 x 4"

We have packaged more hardware than is required for assembly.

Tools & Materials Suggested for Finishing & Assembly:

- Claw Hammer
- Carpenter's Level
- Box Wrench or Sockets (7/16")
- 1/8" Drill Bits (High Speed)
- Screwdriver or driver drill (Medium Phillips)
- Pliers
- 10 ft. Tape Measure
- Framing Square
- Beeswax or Soap (Used to lubricate screw threads)

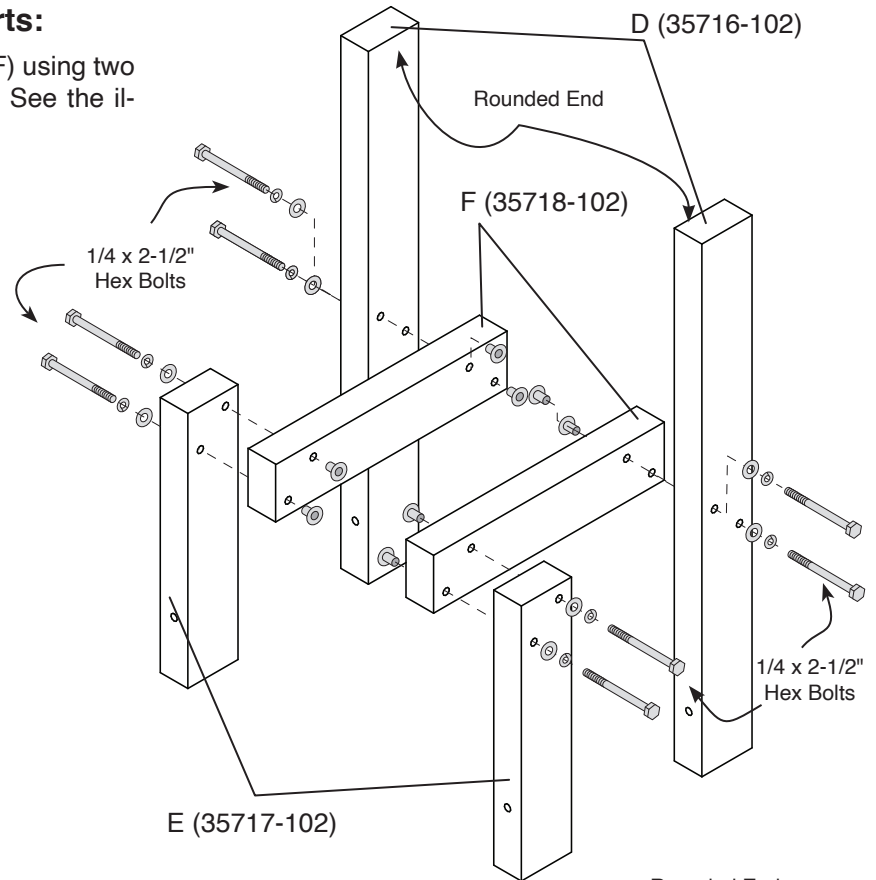
ASSEMBLY INSTRUCTIONS

STEP 1 – Chair Legs and Side Supports:

Mount the Back Legs (D) to the Seat Supports (F) using two 1/4 x 2-1/2" Hex bolt assemblies for each joint. See the illustration for positioning.

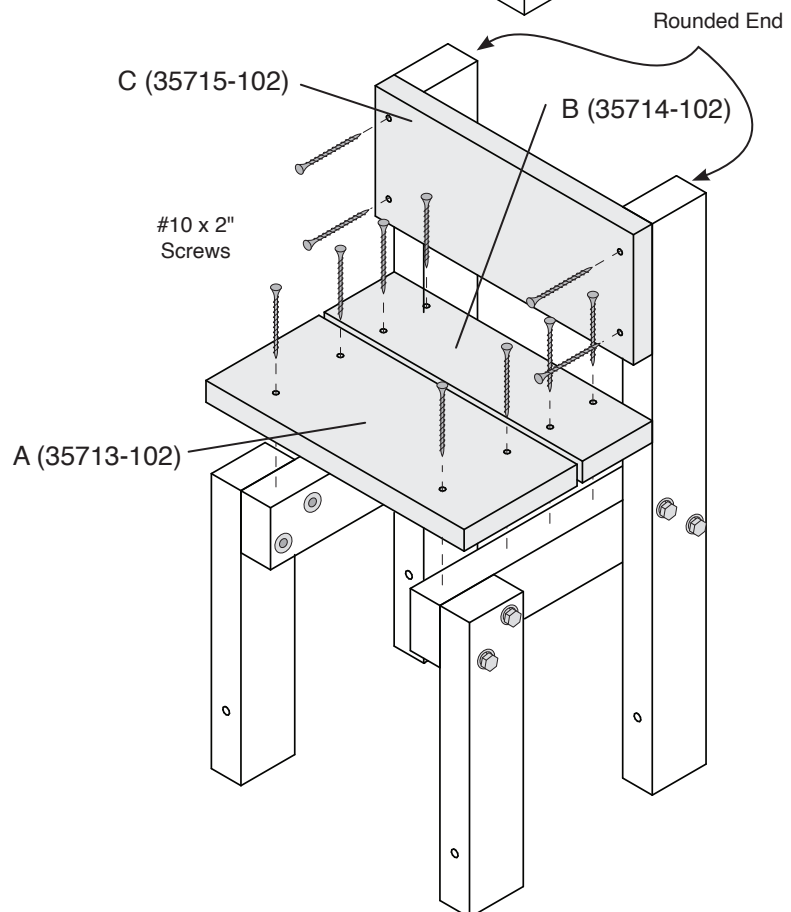
A Hex Bolt Assembly consists of one Hex Bolt, one Lock Washer, one Flat Washer and one Weld Nut.

Mount the Front Legs (E) to the Seat Supports using two 1/4 x 2-1/2" Hex bolt assemblies for each joint.



STEP 2 – Chair Seat and Back:

Stand the two assemblies next to each other. Connect them together with the Seat Board (A), Narrow Seat Board (B), and the Chair Back (C). Fasten each with two #10 x 2" Screws.



ASSEMBLY INSTRUCTIONS

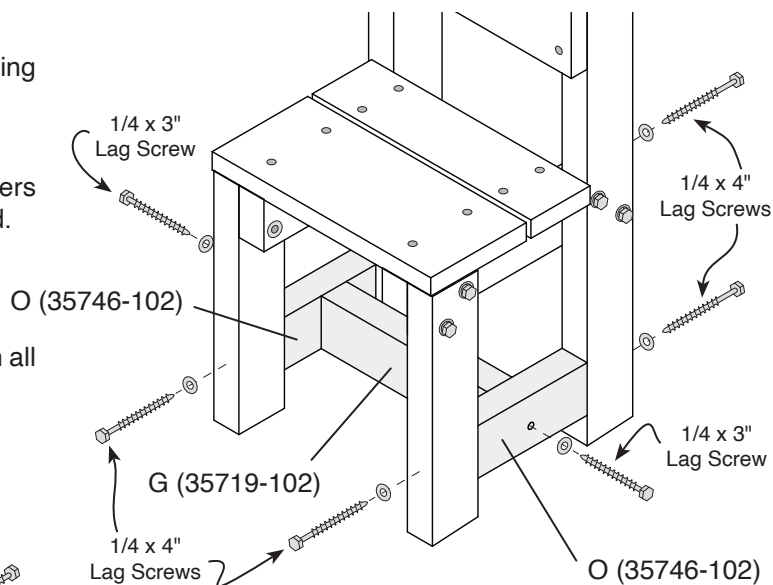
STEP 3 – Chair Stretchers:

Fasten the Chair End Stretchers (O) to the Chair Legs using 1/4 x 4" Lag Screws with Flat Washers at each end.

Fasten the Chair Stretcher (G) to the Chair End Stretchers using 1/4 x 3" Lag Screws with Flat Washers at each end.

STEP 4 – Build Another Chair:

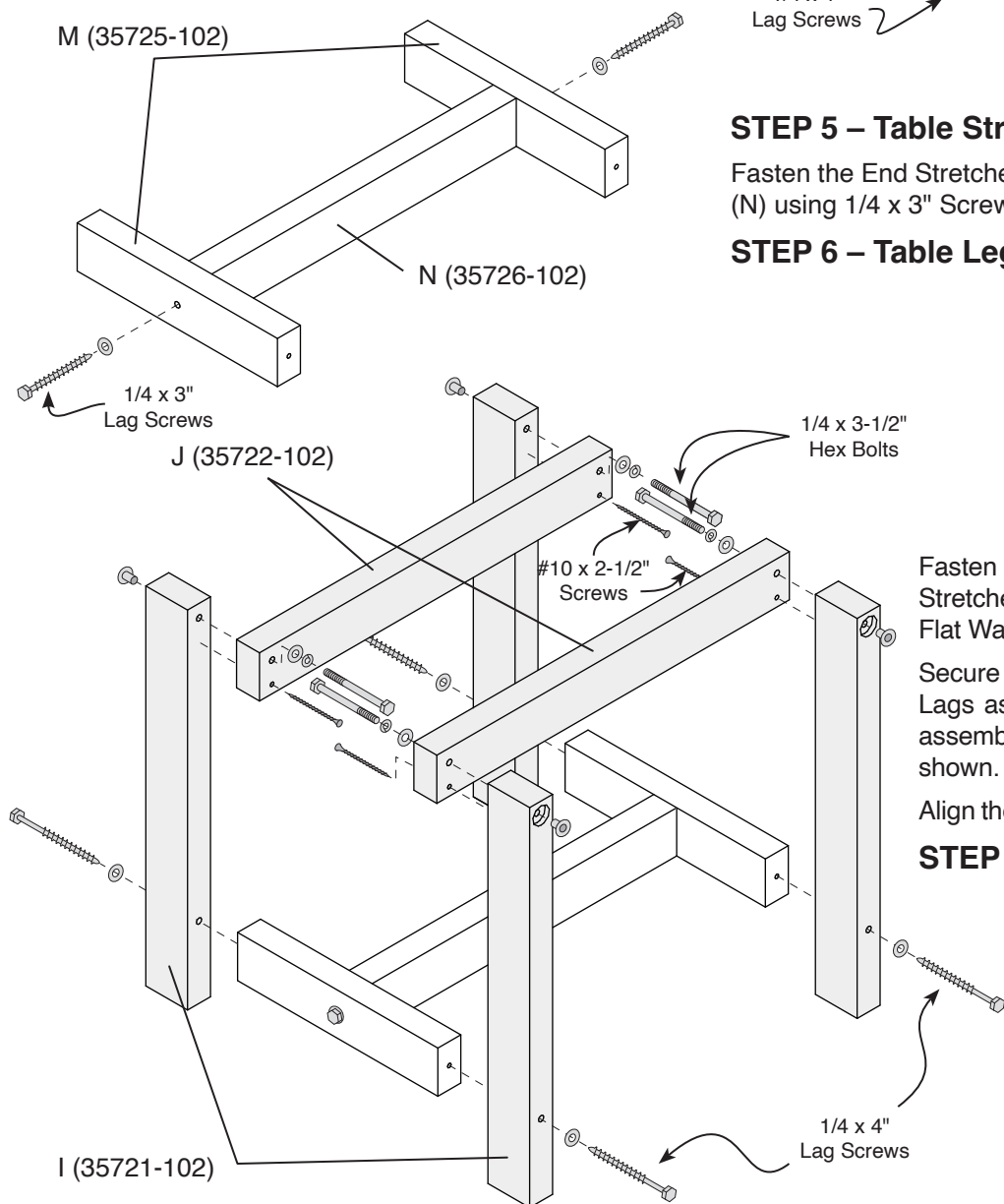
Make the chair sit square where it will be used and tighten all fasteners. Continue building the second chair.



STEP 5 – Table Stretchers:

Fasten the End Stretchers (M) square to the Table Stretcher (N) using 1/4 x 3" Screws and Flat Washers.

STEP 6 – Table Legs And Battens:



Fasten the four Table Legs (I) to the End Stretchers using 1/4 x 4" Lag Screws and Flat Washers for each.

Secure the Table Battens (J) to the Table Legs as shown using 1/4 x 3-1/2" Hex Bolt assemblies and #10 x 2-1/2" Screws as shown.

Align the Table squarely before the next step.

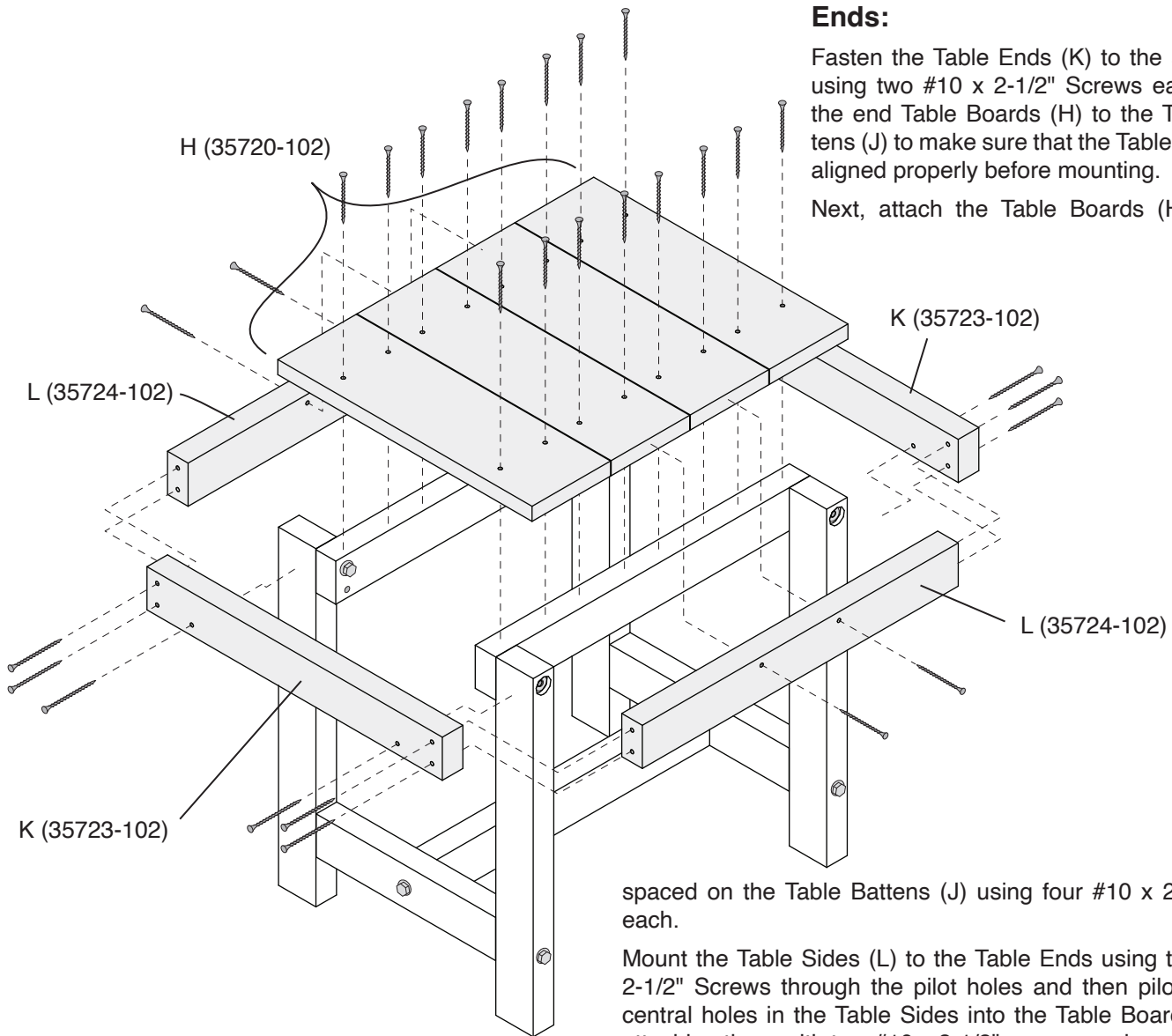
STEP 7 – Table Top, Sides and

ASSEMBLY INSTRUCTIONS

Ends:

Fasten the Table Ends (K) to the assembly using two #10 x 2-1/2" Screws each. Align the end Table Boards (H) to the Table Battens (J) to make sure that the Table Ends are aligned properly before mounting.

Next, attach the Table Boards (H) evenly



spaced on the Table Battens (J) using four #10 x 2" Screws each.

Mount the Table Sides (L) to the Table Ends using two #10 x 2-1/2" Screws through the pilot holes and then pilot the two central holes in the Table Sides into the Table Boards before attaching them with two #10 x 2-1/2" screws each.

STEP 8 – Attach Table to Gym:

Finally use #10 x 2" Screws to attach the table to the nearest wall and #10 x 2-1/2" Screws to mount the Table Legs to the Floor Boards (if equipped with a floor).