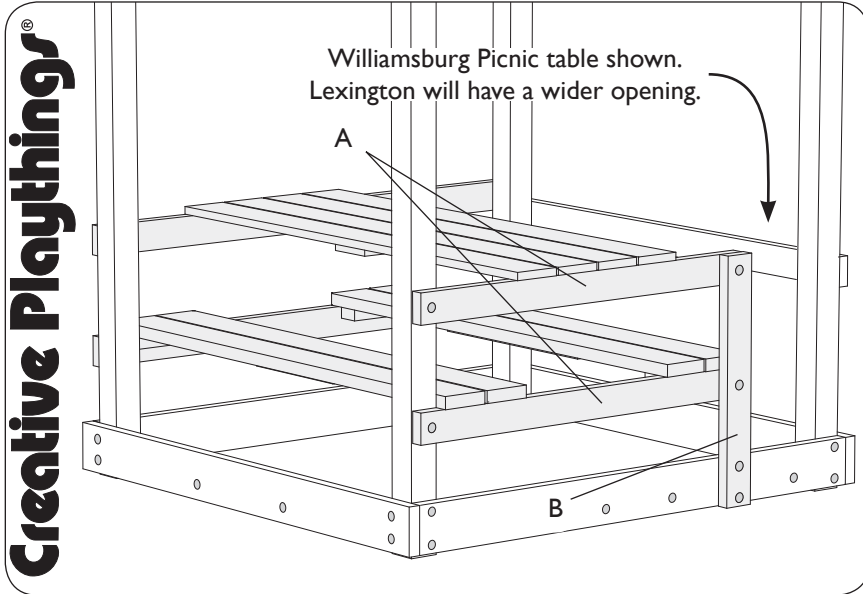


Picnic Table Adapter

for Williamsburg and Lexington Picnic Tables



This Picnic Adapter is for use with a Premium Picnic Table when the gym is oriented in a way that blocks access to one side of the table. This can happen when a Swing Beam is mounted on the gable end of a Williamsburg, Lexington, Ridgefield, or Yorktown gym.

All hardware on this set is specially coated for corrosion resistance. If non-Creative Playthings hardware is used, it must be galvanized or stainless steel.

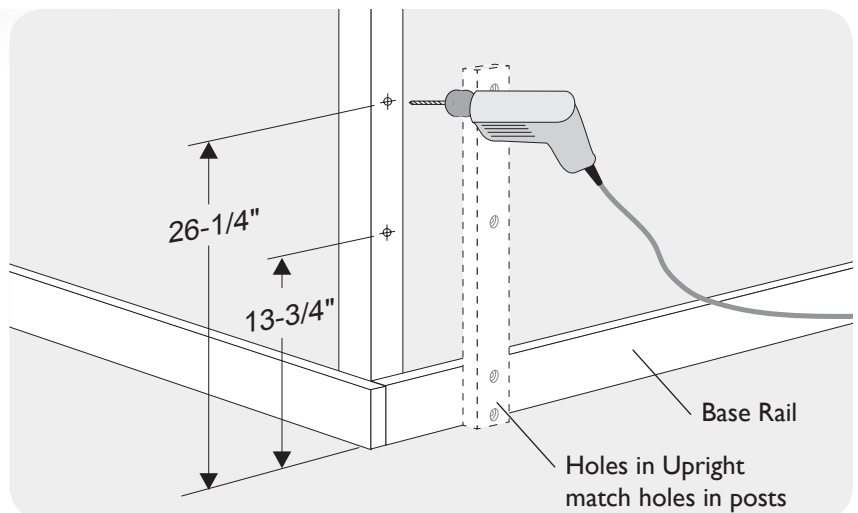
STEP ONE - Determine Placement of Opening

Note the side of the gym adjacent to the swings. A Safety rail should be in place to keep children from exiting in front of the swings. Create the opening adjacent to one of the posts near the swings. If installing on a Ridgefield or Yorktown gym with a Porch Play Floor the opening must be at the back of the gym or the Play Floor will interfere with the Picnic Upright (B).

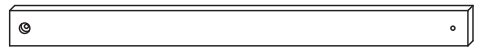
STEP TWO - Pilot Holes

As shown in the instructions for the Picnic Table, drill two 1/4" diameter holes, 2" deep into the outside of each corner post on the gym tower except the post next to the opening. The holes should align with the center of each post. Place the bottom hole 13-3/4" above the bottom of the post and the upper hole 26-1/4" above the bottom of the post.

The Picnic Upright (B) can be used as a guide, by aligning the bottom of the Picnic Upright to the bottom of the Base Rail.



Wooden Parts:



A 2 35457-102 Adapter Support 2 x 4 x 43-7/8"



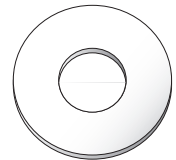
B 1 35458-102 Picnic Upright 2 x 4 x 27-1/2"

Hardware:

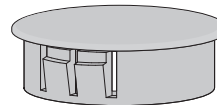
| | Hardware, Picnic Adapter |
|---|------------------------------|
| 4 | 12002-206 Flat Washer 5/16" |
| 4 | 12017-206 Lock Washer 5/16" |
| 4 | 17001-105 Weld Nut 5/16" |
| 4 | 17003-811 Hex Bolt 5/16 x 2" |
| 2 | 15081-704 1" Hole Cap, Brown |



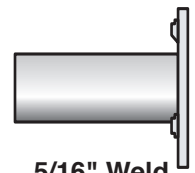
5/16" Lock Washer



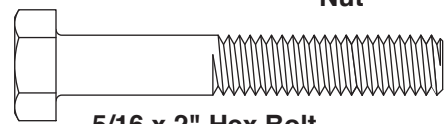
5/16" Flat Washer



Hole Cap



5/16" Weld Nut



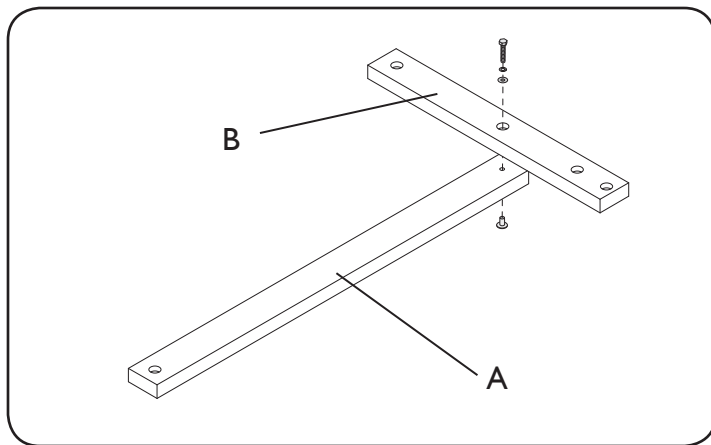
5/16 x 2" Hex Bolt

STEP THREE - Adapter Support to Upright

Fasten the Picnic Upright (B) to the Adapter Support (A) as shown using one 5/16 x 2" Hex Bolt Assembly.*



* Note: a Hex Bolt Assembly consists of one Hex Bolt passing through one Lock Washer and one Flat Washer, threaded into one Weld Nut.



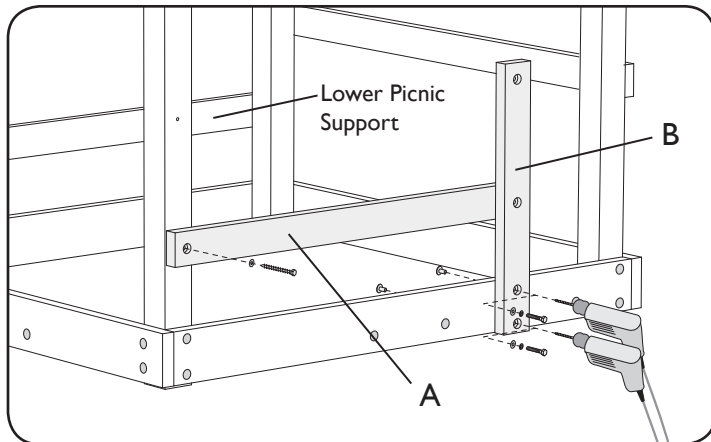
STEP FOUR - Adapter Support & Upright to Gym

Fasten the Adapter Support to the Corner Post as shown using one 5/16 x 2-1/2" Lag Screw and Flat Washer from the Picnic Table package.

Hold the assembly in place with the bottom of the Upright aligned with the bottom of the Base Rail. Make sure the Upright is plumb and the Adapter Support is level. Mark the position of the holes on the face of the Base Rail. Drill a 3/8" diameter hole through the Base Rail at each mark.

Fasten the Upright to the Base Rail using two 5/16" x 2" Hex Bolt Assemblies.

Fasten the Lower Picnic Support to the posts at the opposite side of the gym as shown in the instructions in the Picnic Table Package.

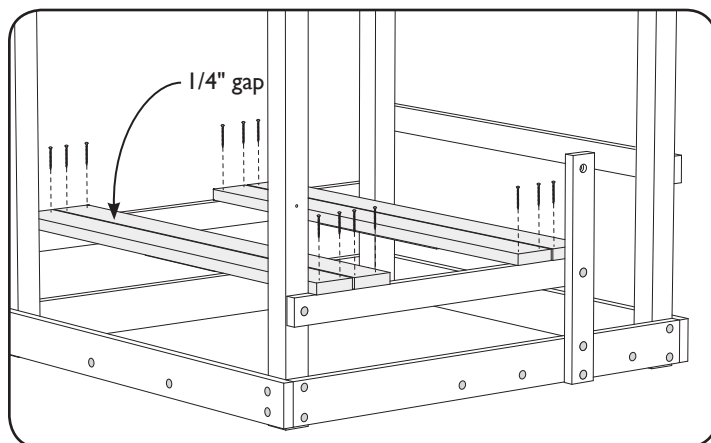


STEP FIVE - Seat Boards

Place two Seat Boards 1/4" apart on the seat supports next to the Corner Posts as shown.

Place the other pair at the other end of the Adapter Support. Make sure the edge of the end Seat Board aligns with the end of the Adapter Support. The seat boards should be square to the Supports.

Fasten the Seat Boards using four #8 x 2-1/2" screws each.



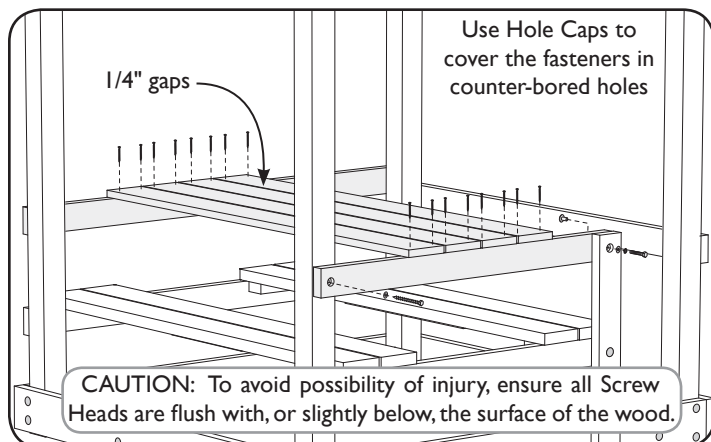
STEP SIX - Table Boards

Fasten the remaining Safety Rail to the upper holes in the Corner Posts using two 5/16 x 2-1/2" Lag Screws and two Flat Washers as shown in the Picnic Table instructions.

Mount one end of the remaining Access Support to the Post as before using one 5/16 x 2-1/2" Lag Screw and Flat Washer from the Picnic Table package. Fasten the other end to the Upright using one 5/16" x 2" Hex Bolt Assembly.

Place the Table Boards, side by side with 1/4" gaps, as shown. The table should align with the middle of the space between the Seats.

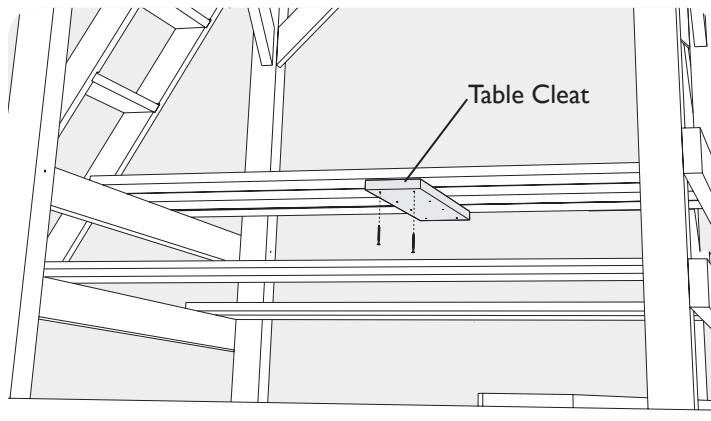
Fasten the Table Boards using four #8 x 1-5/8" screws for each Table Board.



The steps below are the same as shown in the instructions for the picnic table.

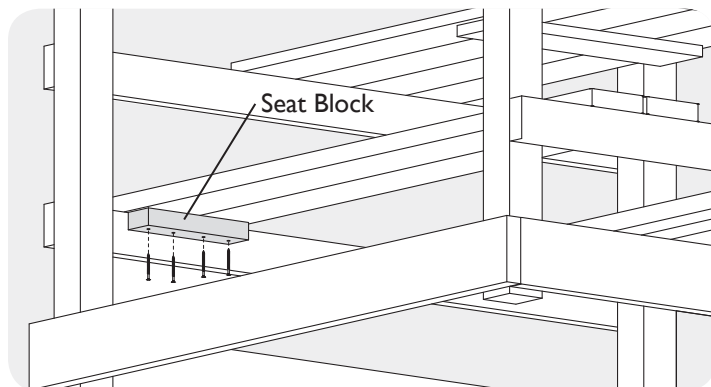
STEP SEVEN - Table Cleat

Fasten the Table Cleat to the bottom center of the Table Boards using #8 x 1-5/8" screws. Make sure the tips of the screws do not protrude through the top of the table.



STEP EIGHT - Seat Blocks

Fasten each Seat Block near the Safety Rail on the underside of two adjacent Seat Boards using four #8 x 2-1/2" screws. Make sure the tips of the screws do not protrude through the top of the seat.



STEP NINE - Seat Cleats

Use Seat Cleats to connect each pair of Seat Boards together. Fasten one Seat Cleat to the bottom center of each pair of Seat Boards using #8 x 1-5/8" screws.

