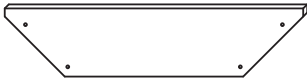
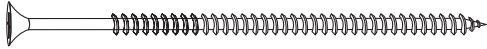


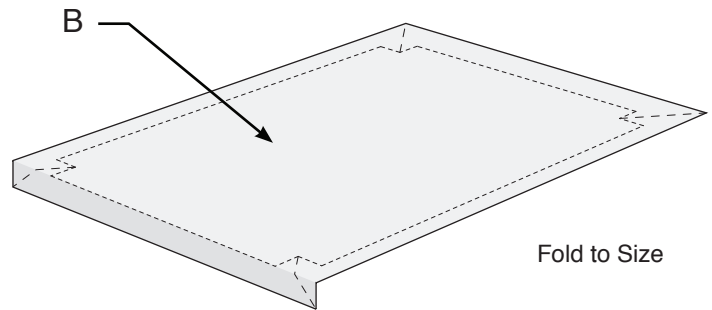
Parts:



- A 2 31837-102 Sandbox Seat 5/4 x 6 x 23"
 B 1 15174-0806 Weed Fabric 8'Wide x 6'



- C 8 17020-109 Screw #8 x 2-1/2"

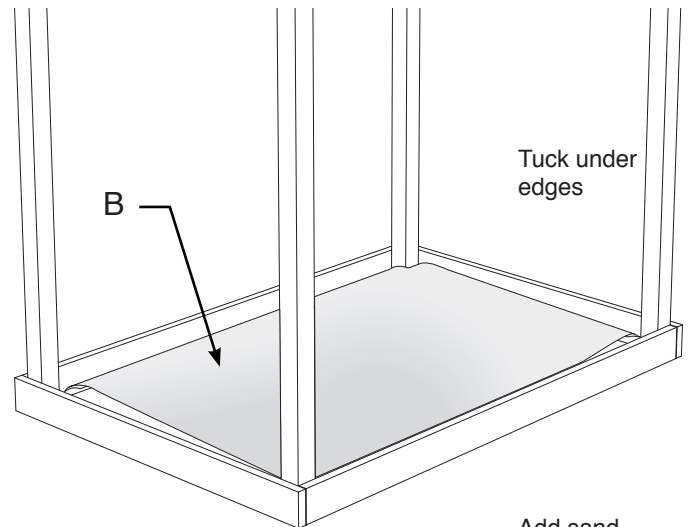


Fold to Size

Step One — Weed Fabric

To install weed fabric (B) with a new gym: build the basic frame of the gym, measure the base of the gym, fold the fabric to size, and place the gym on the fabric. Finish assembling the gym.

To install weed fabric on an existing gym: measure the base of the gym, fold the weed fabric to size and tuck the edges of the fabric under the sandbox frame. You may need to cut the fabric to fit around the corner posts.



Tuck under edges

Add sand

Step Two — Add Play Sand

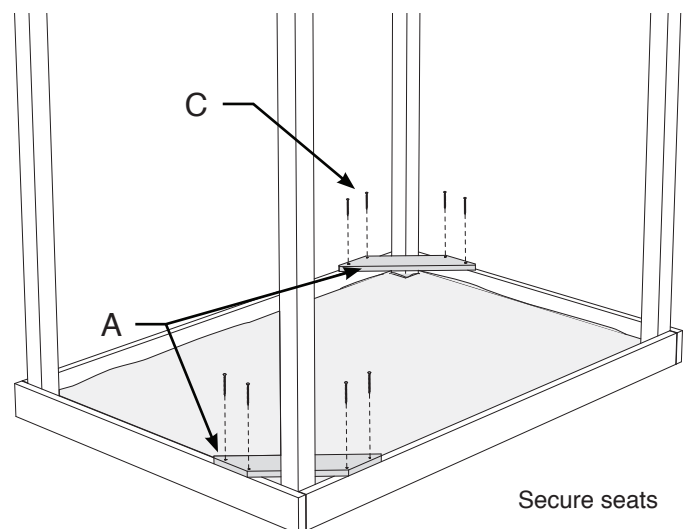
Fill the sandbox with the appropriate amount of play sand. Play sand is not included with this pack.

Play sand requirements:

Chesapeake	500 pounds
Williamsburg & Ridgefield	650 pounds
Lexington & Yorktown	900 pounds

Step Three — Sandbox Seats

Secure the Sandbox Seats (A) on opposite corners of the base assembly. Use four #8 x 2-1/2" Screws for each Sandbox Seat. Drill 1/8" diameter pilot holes for each screw to ensure the Sandbox frame does not split.



Secure seats