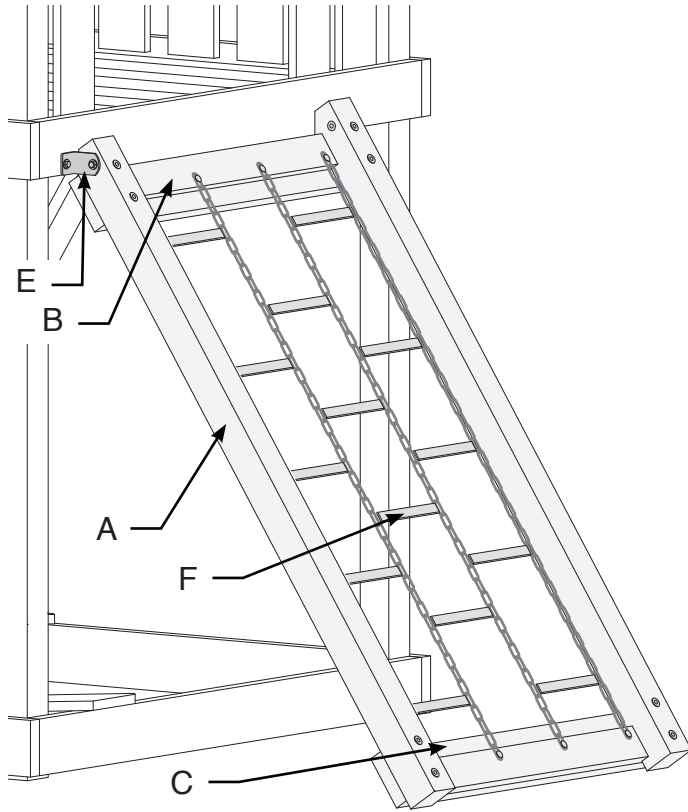


Chain Climber

Cartons:
63090-222 & 63089-606

Creative Playthings®



Parts:

63090-222 Chain Climber Frame

- A 2 35413-102 Cargo Upright 4 x 4 x 69-5/8"
- B 2 35414-102 Climber Block 5/4 x 4 x 33-1/2"
- C 2 35415-102 Cargo Rail 2 x 6 x 40"
- D* 3 36515-102 Ground Stake 2 x 2 x 18"
- E 1 14161-400 Access Bracket
- 1 50567-700 Hardware, Chain Climber

63089-606 Cargo Net

- F 1 40618-400 Chain Cargo Net

SPECIAL NOTES AND INSTRUCTIONS

Adding a Chain Climber to a Creative Playthings gym will increase safe play zone requirements. Review the instructions provided with the gym for information on safety and proper ground cover.

All hardware on this set is specially coated for corrosion resistance. If non-Creative Playthings hardware is used, it must be galvanized or stainless steel.

Fasteners:

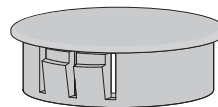
- 21 12002-206 Flat Washer 5/16"
- 13 12017-206 Lock Washer 5/16"
- 13 17001-105 Weld Nut 5/16"
- 8 12052-106 5/16 Lock Nut
- 2 17003-611 Hex Bolt 5/16 x 1-1/2"
- 2 17003-1411 Hex Bolt 5/16 x 3-1/2"
- 8 17003-1611 Hex Bolt 5/16 x 4"
- 8 17015-1211 Carriage Bolt 5/16 x 3"
- 6 17020-112 Screw #8 x 2"
- 6 17020-109 Screw #8 x 2-1/2"
- 8 15081-704 1" Hole Caps



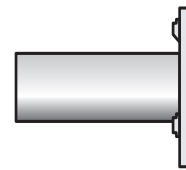
Flat Washer 5/16"

Lock Washer 5/16"

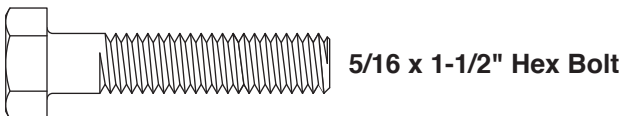
5/16" Lock Nut



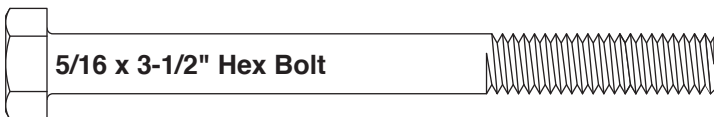
Hole Cap



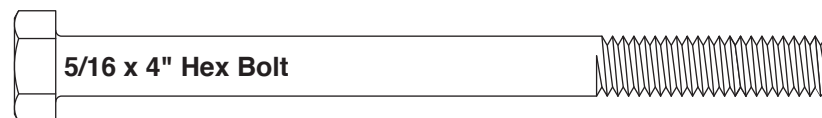
Weld Nut 5/16"



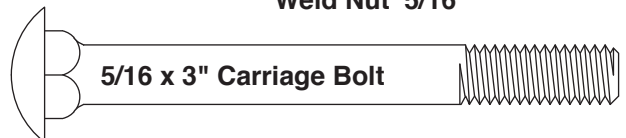
5/16 x 1-1/2" Hex Bolt



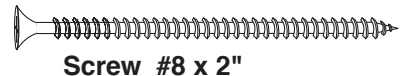
5/16 x 3-1/2" Hex Bolt



5/16 x 4" Hex Bolt



5/16 x 3" Carriage Bolt



Screw #8 x 2"

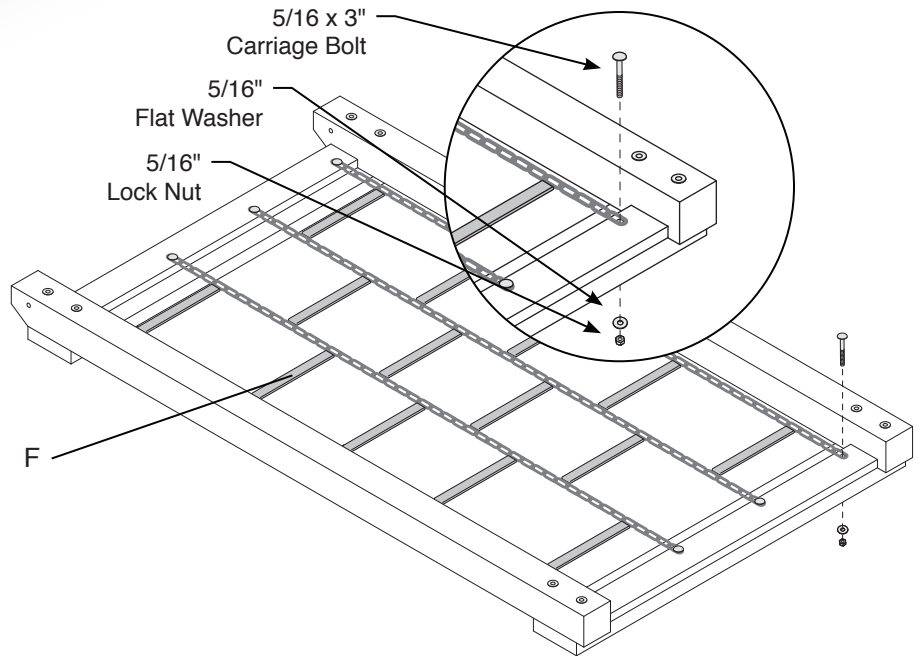


Screw #8 x 2-1/2"

STEP THREE - Cargo Net

Fasten one end of the Cargo Net (F) to the a Climber Block and Cargo Rail using a 5/16 x 3" Carriage Bolt through the end link of each chain, through the holes in the Climber Block and Cargo Rail with a 5/16" Flat Washer and 5/16" Lock Nut on the end.

Fasten the other end of the Cargo Net to the other Climber Block and Cargo Rail in the same manner.



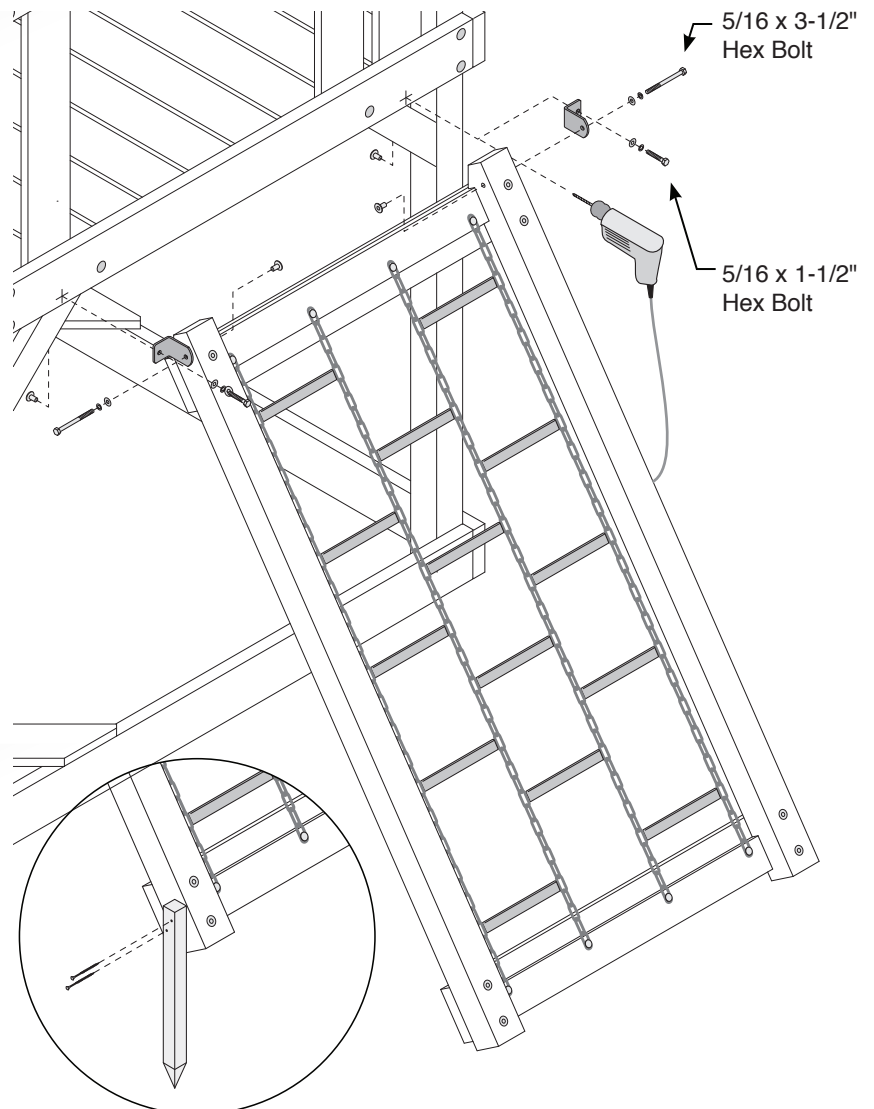
STEP FOUR - Mount to Gym

Locate the two Access Ladder Brackets. Loosely fasten the Access Ladder Brackets to the outside of the climber assembly using one 5/16 x 3-1/2" Hex Bolt Assembly each.

Lean the climber against the chosen side of the gym. Place the flat of the Access Brackets against the Platform Side. With a pencil, mark the position of the holes in the Access Brackets on the Platform Support. Pay special attention when making the marks. Be aware of any obstructions behind the Platform Support. If there is a conflict reposition the Climber.

Drill a 3/8" hole at the marks made. Fasten the Climber to the Platform Support using two 5/16 x 1-1/2" Hex Bolt Assemblies.

Tighten all fasteners.



STEP FIVE - Ground Stakes

Drive one Ground Stake tightly against the outside of each Climber Upright. The top of the Stakes should be below the top face of the Upright. Secure the Ground Stakes to the Uprights using two #8 x 2-1/2" Screws each.

Note: Do NOT use concrete to set Ground Stakes. Pound a metal spike or rod into the ground to start a hole in a hard or rocky surface.