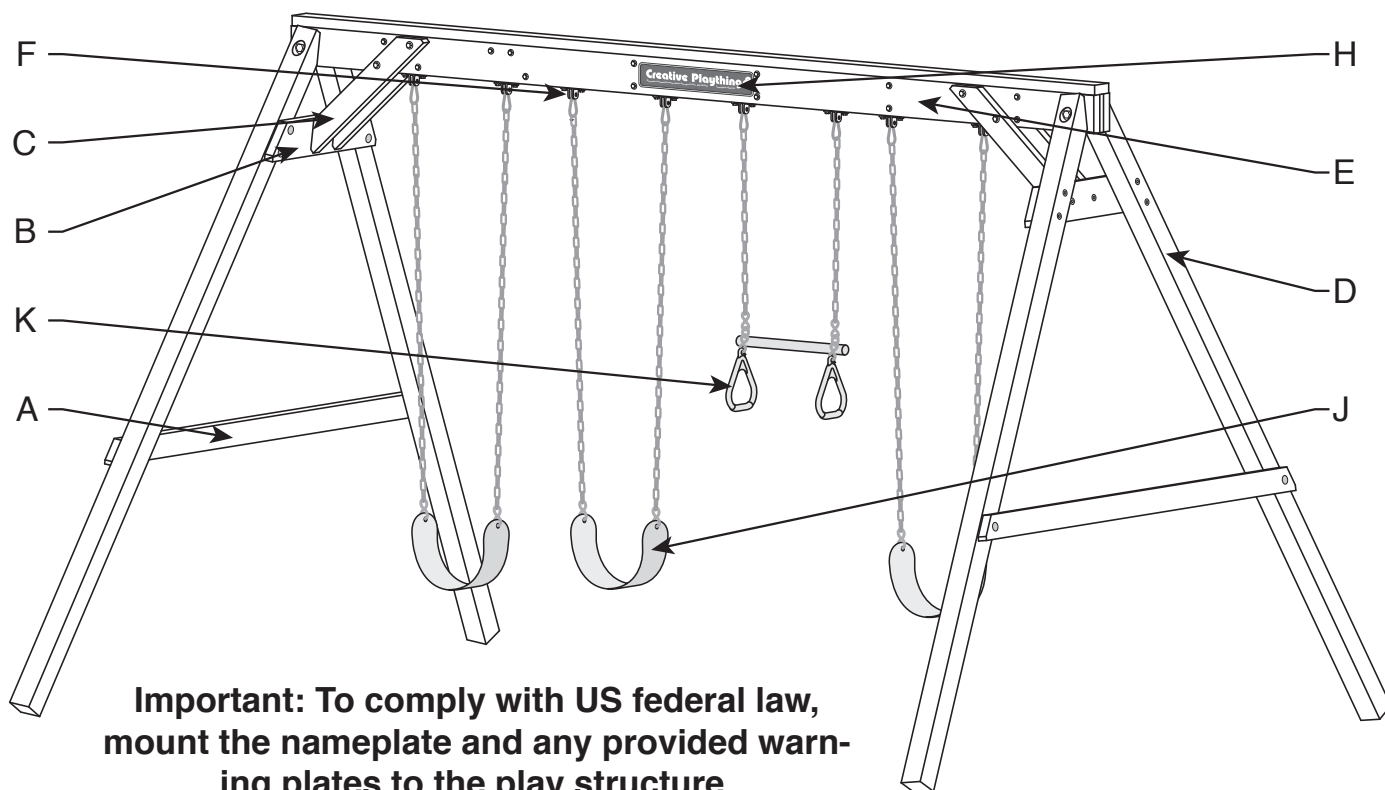


PREMIUM PINE  
FREESTANDING BEAM

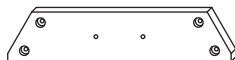
# Creative Playthings®



**Important: To comply with US federal law, mount the nameplate and any provided warning plates to the play structure.**



A 2 35401-102 Leg Brace 2 x 4 x 71-1/2"



B 2 35402-102 End Support 2 x 6 x 23-3/4"



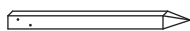
C 4 35403-102 Angle Brace 2 x 4 x 24-7/8"



D 4 35404-102 Swing Beam Leg 4 x 4 x 103-1/2"

F 8 14090-100 Heavy Duty Nylglide Swing Hanger

**50565-200 Accessories, Freestanding Beam**



G 5 36515-102 Stake 2 x 2 x 18" (not shown above)

H 1 14209-100 Creative Nameplate

50546-777

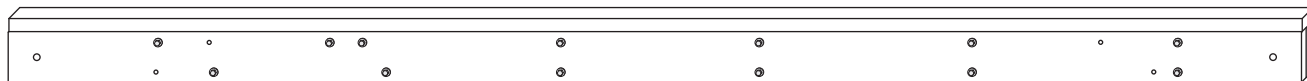
**50546-777 3 Swings, 1 Trapeze**

J 3 40321-400 Sling Swing Assembly, Chain

K 1 40311-402 Ring Trap Assembly, Chain

63088-201

63088-202



E 1 40621-102 4 Pos Swing Beam Assembly

This product is intended for single family home/residential use only and not intended for use in any public setting. Placement in any public setting constitutes a misuse of this product.

All hardware on this set is coated for corrosion resistance. If non-Creative Playthings hardware is used, it must be galvanized or stainless steel.

**Important Assembly Note:**  
This unit requires the use of two 15/16 Hex Sockets. 24mm Sockets can also be used.

Please read the owner's manual before the assembly of your play set. It provides additional information on the care and use of your play set. You must carefully read the entire instruction manual before assembling and using your new play set. Creative Playthings takes great care to design its products with your child's safety in mind. However, only with careful supervision and proper safety instructions, can you be assured of safe play time on any product designed for children.

## PLAYSET SAFETY

**FOR SAFETY SAKE, PLEASE TAKE TIME TO READ ALL INSTRUCTIONS COMPLETELY AND CAUTION YOUR CHILDREN APPROPRIATELY.**

**Observing the following statements & warnings reduces the likelihood of serious or fatal injury:**

- Children should use equipment only in its intended manner.
- Children should not wear loose or stringed clothing while using playground equipment.
- Children should not play on equipment in wet weather conditions due to potentially slippery surfaces.
- Children should NOT walk too closely in front of, behind, or between moving swings and trapezes.
- Children should NOT swing empty swing seats.
- Children should NOT jump off swings and/or trapeze while they are in motion.
- Children should NOT twist swing chains because this will weaken and reduce the strength of the chains.
- Children should sit in the center of the swings with their full weight on the seats.
- Children should NOT be on the top surface of the swing beam.
- Children should NOT use the equipment in a manner other than intended.
- Children should NOT get off the equipment while it is in motion.
- On-site adult supervision is required at all times for children of all ages.
- Until assembly is complete, DO NOT let your children use the Play Set.
- Never fasten anything not approved by Creative Playthings to your Play Set. Accessories or items not approved by Creative Playthings include; Dog runs, clothes lines, electrical devices, or bird feeders etc.
- Do not allow more than 120 lbs. on Single occupancy swing accessories such as the Sling Swing and Trapeze.
- Do NOT allow more children on the Play Set than can simultaneously use all the swing stations at one time.

### **Assembly Safety:**

- Adult assembly required
- Keep the work area clean and clear of obstructions.
- Children should stay out of the work area until the safe play area is cleared of obstacles, the Play Set has been completely assembled, all hardware has been tightened and checked, and all tools have been picked up.
- Keep children off the Play Set until it has been completely assembled.
- Parts of the assembly process may require help from another competent adult.
- Do not stand on the platform until the Play Set has been completely assembled, use a step ladder if you can not reach high enough.
- Follow the manufacturers' safety recommendations for the tools and equipment you use.
- Avoid assembling your Play Set in poor weather conditions.
- Wear proper clothing and safety equipment (safety glasses, boots, and gloves) while assembling your Play Set.

# SAFE PLAY AREA

**SELECTING THE CORRECT LOCATION FOR YOUR PLAY PRODUCT IS IMPORTANT FOR YOUR CHILDREN'S SAFETY AND THE PRODUCT'S LONGEVITY.**

## Playset Dimensions:

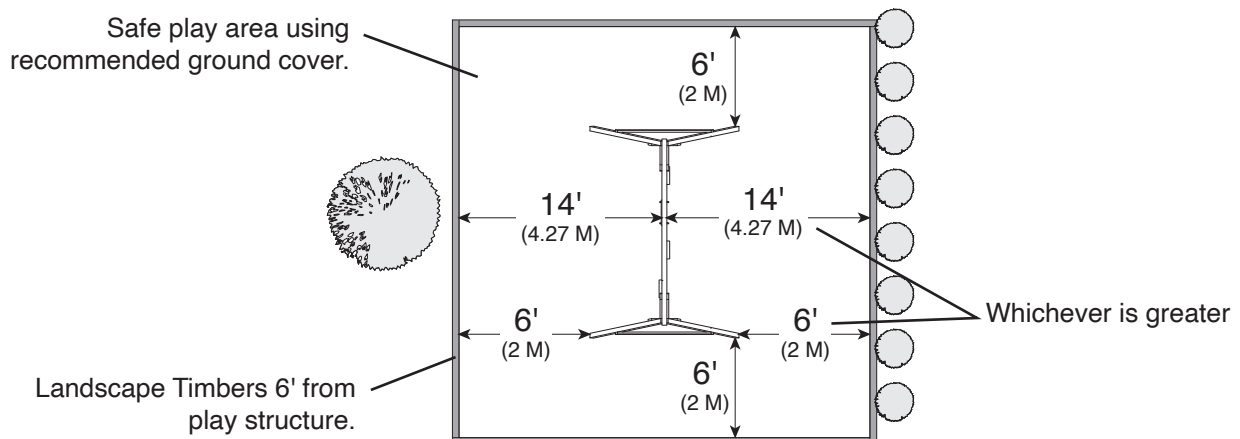
- The 4 Position Freestanding Swing Beam has ground dimensions of 13'-0" x 9'-3".
- Each Freestanding Swing Beam play set requires a level ground surface of 25'-0" x 28'-0' for a Safe Play Area
- Additional accessories may increase the size of the Safe Play Area.
- The maximum fall height for your play set is 91" as measured from the top of the Swing Beam.

## Safe Play Area:

- The Safe Play Area refers to a zone extending 6' (2 meters) beyond the Playset on all sides, including the space above the Playset. Because children may deliberately jump from a moving swing, the Safe Play Area must be extended to 14' (4.27 meters) in front of and behind a swinging Accessory.
- The ground surface must be level. Installing your Playset on sloping ground can cause it to lean or "rack". This leaning puts additional stress on all connections and joints and in time will cause those connections to loosen and fail.
- The Safe Play Area must be free of all structures, landscaping, trees and branches, rocks, wires, and other obstacles to safe play. Children can be seriously injured running, or swinging into these obstacles.
- Remove all tripping hazards from the Safe Play Area. Tripping hazards include; roots, stumps, rocks, landscaping, sprinkler heads, railroad ties, plumbing and electrical connections.
- Do not install your Playset over concrete, gravel, asphalt, packed earth, or any other hard surface. The following is a list of recommended ground covers from the Consumer Product Safety Commission.

| RECOMMENDED GROUND COVER   |                    |
|----------------------------|--------------------|
| Suggested Material         | Uncompressed Depth |
| Double Shredded Bark Mulch | 9"                 |
| Uniform Wood Chips         | 12"                |
| Fine Gravel                | 12"                |
| Fine Sand                  | 12"                |

- Any edging used to contain the ground cover must be beyond the Safe Play Area. (i.e.. Landscape Timbers)



**A FALL ONTO A HARD SURFACE COULD RESULT IN SERIOUS INJURY.**

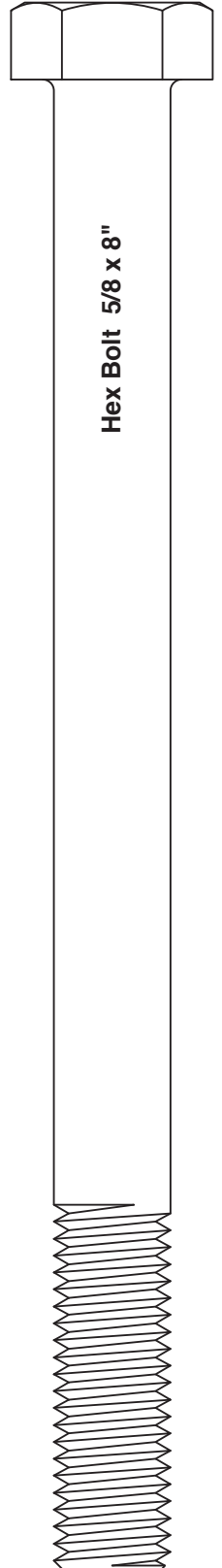
# FASTENERS

## Component Part Identification:

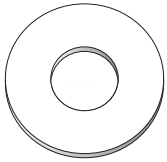
Take inventory of all parts. If parts are missing or defective call the Creative Playthings Customer Service Department at 1-800-598-4997.

### 50565-700 Freestanding Beam Hardware

|    |            |                       |    |            |                          |
|----|------------|-----------------------|----|------------|--------------------------|
| 77 | 12002-206  | Flat Washer 5/16"     | 2  | 12052-111  | Nylock Nut 5/8"          |
| 17 | 12002-206  | Flat Washer 5/16"     | 2  | 17123-5808 | Hex Bolt 5/8 x 8"        |
| 17 | 12017-206  | Lock Washer 5/16"     | 10 | 17020-109  | Screw #8 x 2-1/2"        |
| 17 | 17001-105  | Weld Nut 5/16"        | 17 | 15081-704  | 1" Hole Cap              |
| 4  | 17003-1211 | Hex Bolt 5/16 x 3"    | 8  | 14090-100  | HD NyGlide Swing Hanger  |
| 13 | 17003-1611 | Hex Bolt 5/16 x 4"    | 16 | 17036-1403 | 3/8 x 3-1/2 Lag Screw    |
| 4  | 12002-207  | Flat Washer 3/8"      | 16 | 12002-207  | Washer 3/8" Flat         |
| 4  | 12017-207  | Lock Washer 3/8"      | 7  | 17128-202  | Pan Head Screw #6 x 1/2" |
| 4  | 17001-103  | Weld Nut 3/8"         |    |            |                          |
| 4  | 17003-2613 | Hex Bolt 3/8 x 6-1/2" |    |            |                          |
| 4  | 12002-211  | Flat Washer 5/8"      |    |            |                          |



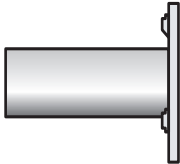
Hex Bolt 5/8 x 8"



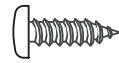
5/16" Flat Washer



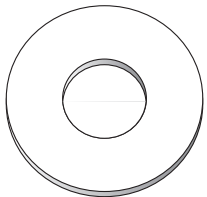
5/16" Lock Washer



5/16" Weld Nut



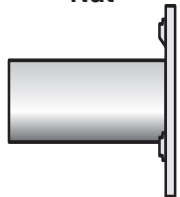
#6 x 1/2" Pan Head Screw



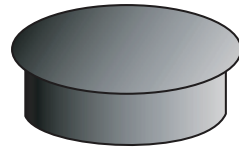
3/8" Flat Washer



3/8" Lock Washer



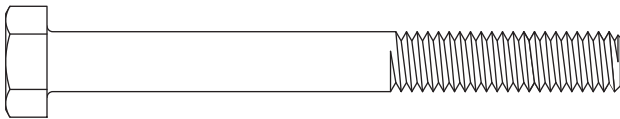
3/8" Weld Nut



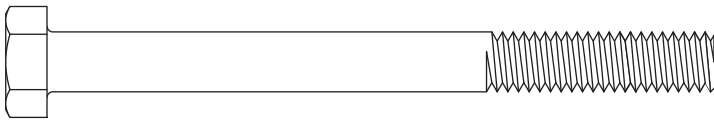
1" Hole Cap



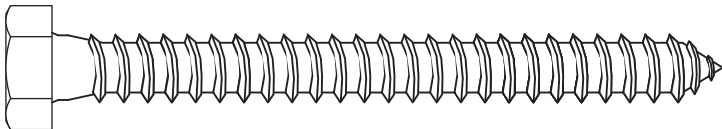
#8 x 2-1/2" Screw



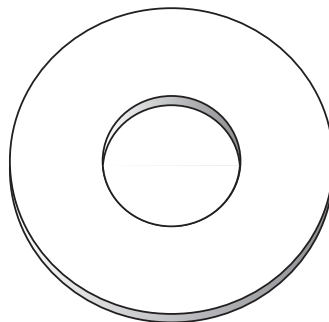
5/16 x 3" Hex Bolt



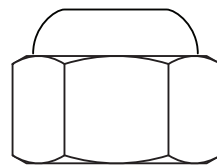
5/16 x 4" Hex Bolt



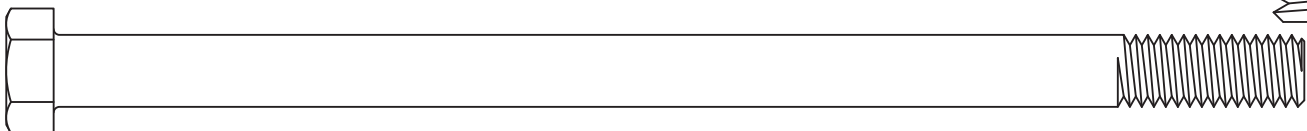
3/8 x 3-1/2" Lag Screw



5/8" Flat Washer



5/8" Lock Nut



Hex Bolt 3/8 x 6-1/2"

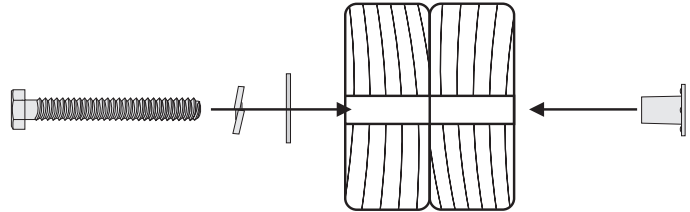
# FASTENERS

CREATIVE PLAYTHINGS PLAY SETS USE A FEW STANDARD CONNECTIONS. BECOME FAMILIAR WITH THESE CONNECTIONS TO EASE ASSEMBLY AND ENSURE A SAFER PLAY PRODUCT FOR YOUR CHILDREN.

## Hex Bolt & Weld Nut Assembly Procedure:

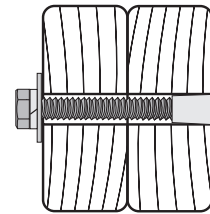
### Assembly Layout:

Align the holes in the parts to be fastened. Start preliminary tightening of bolt into weld nut by hand. Tighten each bolt with a wrench until the lock washer is fully compressed between the head of the bolt and the flat washer.



### Correct Assembly:

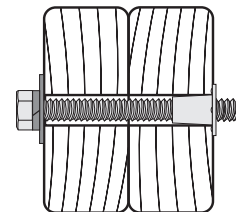
Bolt has been screwed securely into weld nut and the connection is tight. Check connections periodically for tightness during the life of the Playset . **Do not over tighten.**



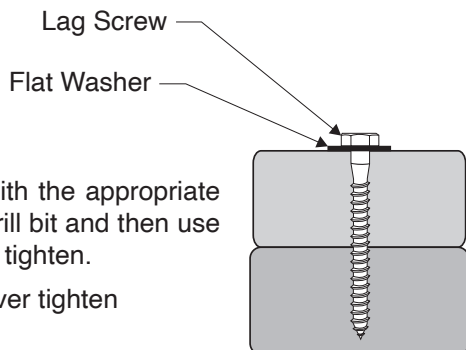
### Incorrect Assembly:

During assembly or maintenance the bolt protrudes 1/8" past the weld nut. Call customer service or replace the bolt at a local hardware store. You may be overtightening or using the wrong size bolt.

**Failure to replace this bolt with a shorter one could result in serious injury.**



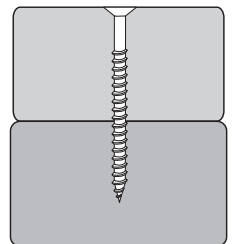
### Typical Installation - Lag Screws:



- Pilot drill with the appropriate diameter drill bit and then use a socket to tighten.
- DO NOT over tighten

### Typical Installation - Wood Screws:

- Use an electric drill or screw gun to drive screws.
- Drill 1/8" pilot holes where required.
- We recommend that you lubricate the threads of the screws with beeswax or soap to ease installation and minimize breaking screws.
- **It is very important to make certain that the tops of all screws are flush with the surface of the wood and there are no protruding sharp edges.**



## MAINTENANCE INSTRUCTIONS

### YOUR CREATIVE PLAYTHINGS PLAY SET IS STAINED AT OUR FACTORY. STAINING IS NOT NEEDED AT THE TIME OF INITIAL ASSEMBLY.

#### Re-staining Information:

- Pigmented, exterior, water repellent stains are recommended and will provide an excellent barrier against moisture without hiding the natural wood grain or leaving a film that may later crack or peel.
- We recommend that you apply stain according to the instructions and precautions recommended by the stain manufacturer.
- It should take three or more quarts to cover your set.
- Contact your local dealer or call Creative Playthings for our staining products.

#### Maintenance:

- Wooden playground equipment will last for years with proper maintenance. Maintenance of the Playset finish will vary depending on weather climate.
- As a safety precaution, check all hardware, such as nuts and bolts, for tightness twice a month during use and at the beginning of each play season. Tighten as required and specified in these instructions. Do not over-tighten.
- Check structure twice monthly during usage for any evidence of deterioration. If upon inspection, hardware has sharp edges, rusted or structural pieces have signs of premature failure; replace them through Creative Playthings Customer Service.
- Oil all metallic moving parts monthly during the usage season.
- The swings, trapeze, tent, rope ladders, and any other removable plastic accessories should be removed and taken indoors when outside temperatures drop below 32° F (0° C).
- Wood will expand and contract as it adjusts to temperature changes and varying moisture conditions. Checks or cracks are a natural characteristic of all wood and will not affect the strength or durability of the wooden components.
- To maintain the finish of your set, a light sanding and an application of an exterior stain will repair scratches and prevent wood from aging prematurely.
- The wood parts of your Playset should never be disposed of by burning.
- Dispose of all parts so as not to create a hazard.
- "Check all coverings for bolts and sharp edges and replace when required."
- "Check swing seats, chains, ropes, and other means of attachments for evidence of deterioration". Replace through Creative Playthings Customer Service.

#### Tools & Materials Suggested for Finishing & Assembly:

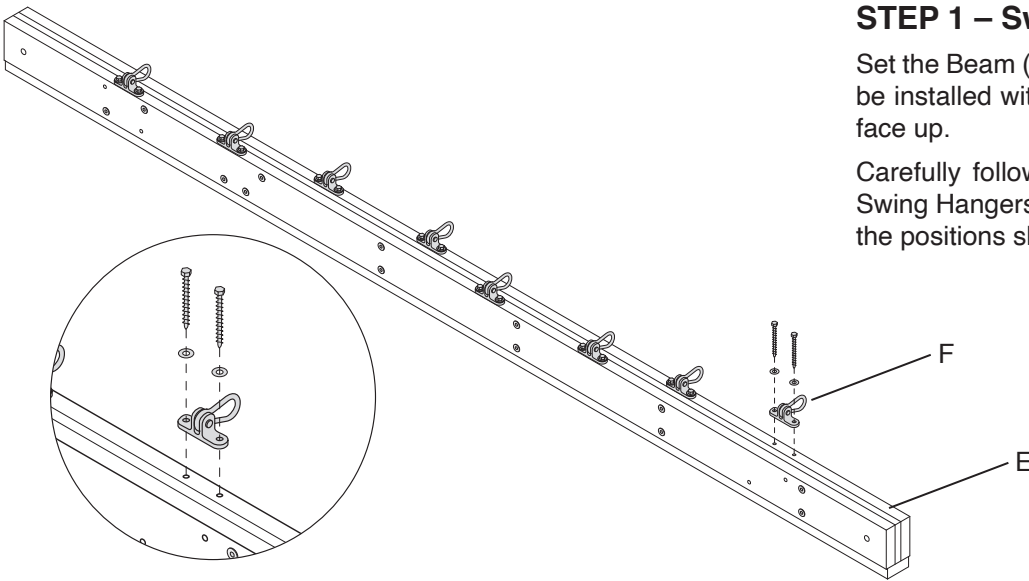
- Claw Hammer
- Carpenter's Level
- Ratchet Wrenches & Sockets (1/2", 9/16, and **two 15/16" Sockets**)
- Electric Drill
- 5/16", 3/8", 7/16", 9/16" Drill Bits (High Speed)
- Pliers
- 10 ft. Tape Measure
- Framing Square
- 6 ft. Step Ladder
- Beeswax or Soap (Used to lubricate screw threads)

# ASSEMBLY INSTRUCTIONS

## STEP 1 – Swing Hangers:

Set the Beam (E) on the ground in the place it is to be installed with the holes for the Swing Hangers face up.

Carefully follow the instruction included with the Swing Hangers (F) to install the Swing Hangers in the positions shown.



## STEP 2 – End Supports:

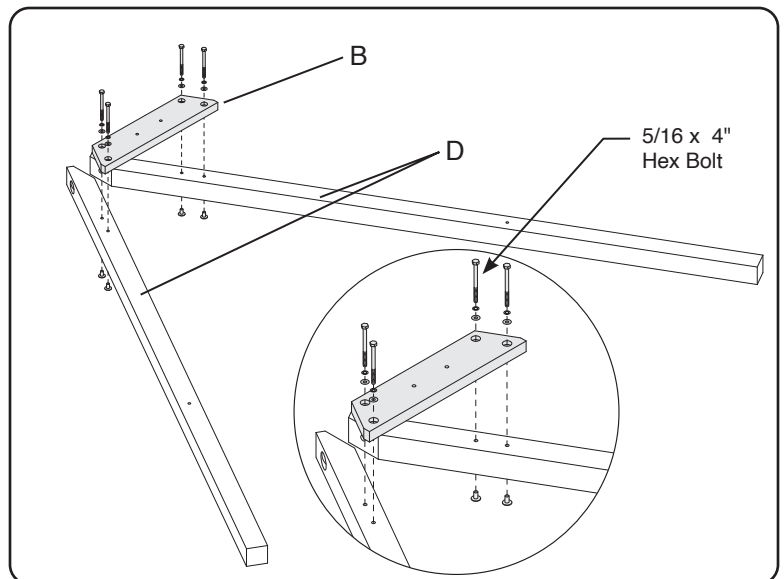
Place two Swing Beam Legs (D) near one end of the Beam, arranged as shown at right.

Fasten one End Support to the Legs in the position shown using four 5/16 x 4" Hex Bolt Assemblies.\* Leave the fasteners slightly loose to make subsequent steps easier.

Repeat with the two remaining Posts and End Support near the other end of the Beam.



\* Note: a Hex Bolt Assembly consists of one Hex Bolt passing through one Lock Washer and one Flat Washer, threaded into one Weld Nut.

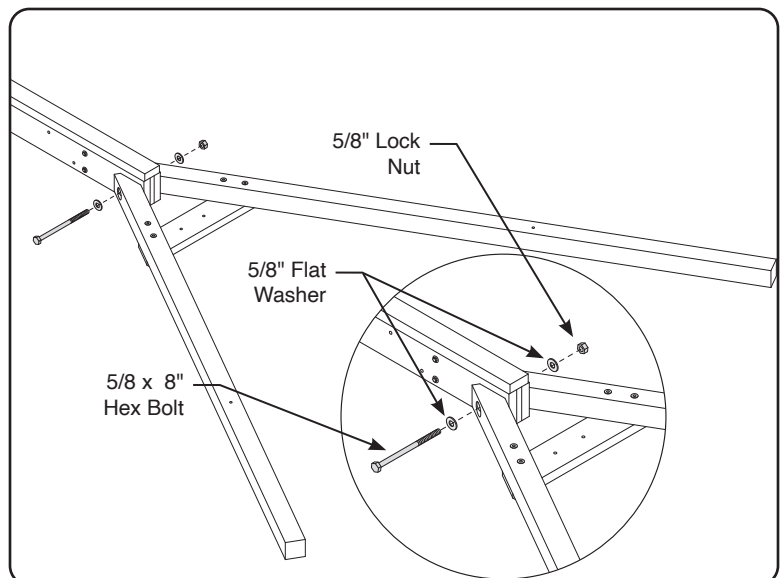


## STEP 3 – Legs to Beam:

Turn over the Beam so the Swing Hangers face the ground. Flip the Leg assemblies so the End Supports are on the underside.

Align the large holes at the end of two Legs with the large hole near the one end of the beam. Secure the Legs to the Beam using one 5/8 x 8" Hex Bolt, two 5/8" Flat Washers, and one 5/8" Lock Nut. Leave the connection loose enough to allow the Leg assembly to pivot in later steps.

Repeat with the other Leg assembly at the other end of the Beam.

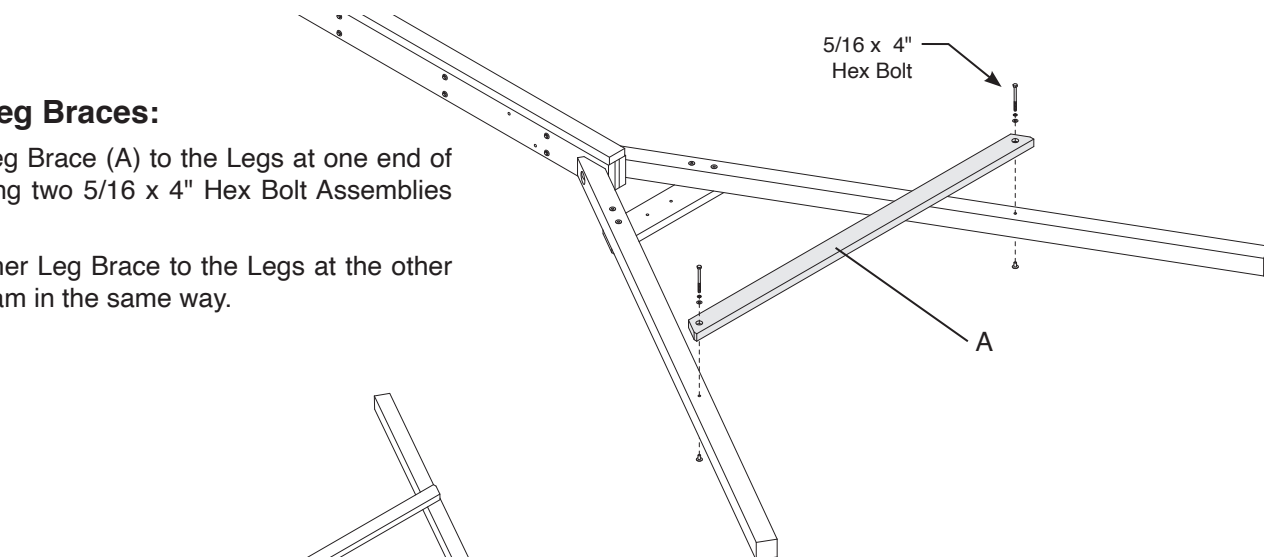


# ASSEMBLY INSTRUCTIONS

## STEP 4 – Leg Braces:

Fasten one Leg Brace (A) to the Legs at one end of the Beam using two 5/16 x 4" Hex Bolt Assemblies as shown.

Fasten the other Leg Brace to the Legs at the other end of the Beam in the same way.

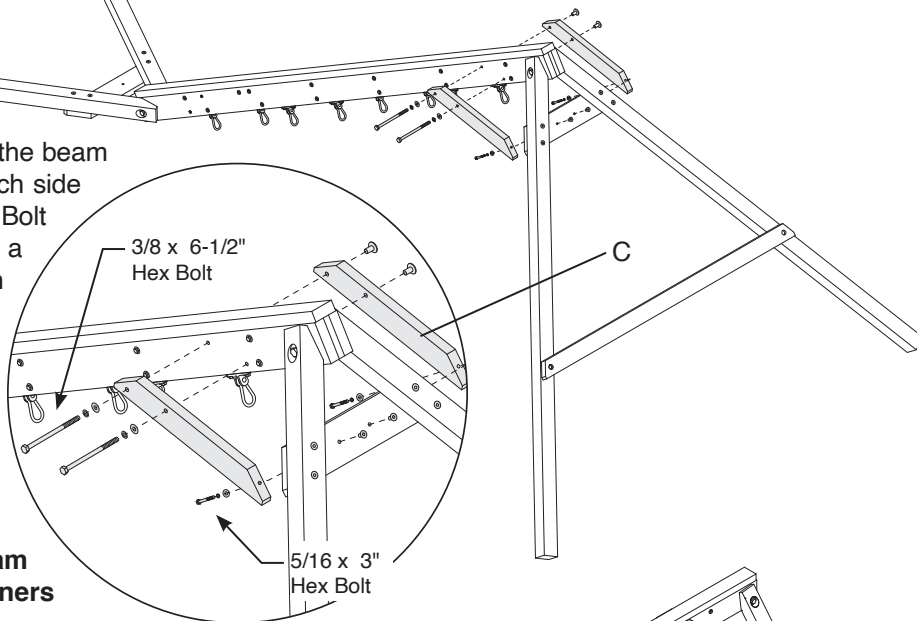


## STEP 5 – Angle Braces:

With help from another adult, lift one end of the beam as shown. Fasten an Angle Brace (C) to each side of the Beam using two 3/8 x 6-1/2" Hex Bolt assemblies. Pass each Hex Bolt through a Lock Washer and Flat Washer then through an Angle Brace, the Beam and then the other Angle Brace, securing the end of the Bolt with a Weld Nut. Leave the connection loose to aid in fitting the next connection.

Fasten the bottom of each Angle Brace to the End Support using a 5/16 x 3" Hex Bolt Assembly as shown.

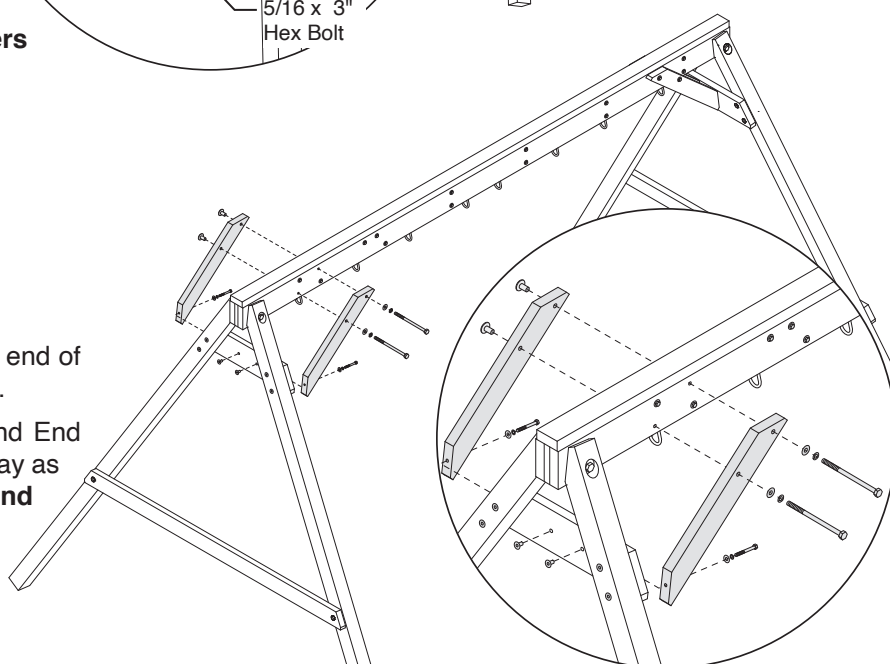
**Tighten all fasteners at this end of the beam including the big 5/8" Bolt and the fasteners securing the End Support to the Legs.**



## STEP 6 – Opposite Angle Braces:

With the help of two other adults, lift the other end of the Beam, allowing the legs to pivot into place.

Secure the Angle Braces (C) to the Beam and End Support at this end of the Beam in the same way as the other end. **Tighten all Fasteners at this end of the Beam.**





# ASSEMBLY INSTRUCTIONS

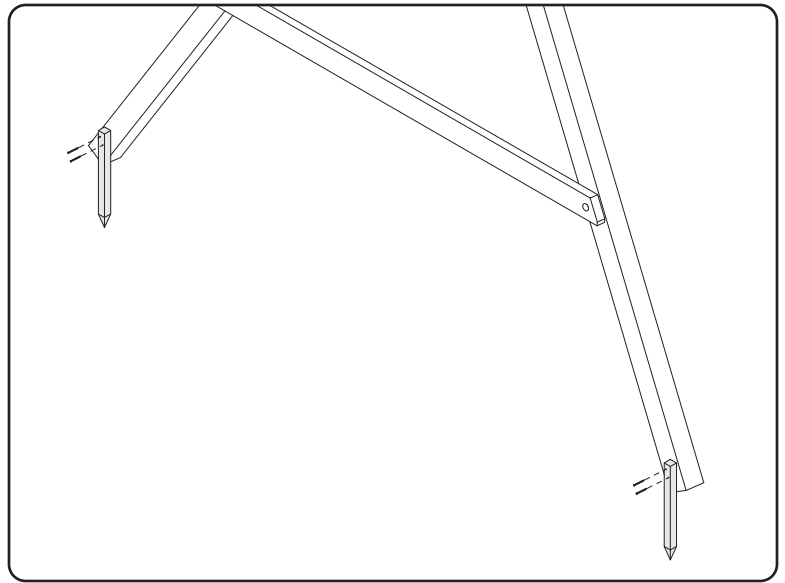
## STEP 7 – Ground Stakes:

Make sure the swing frame is in its permanent position. Check that the Beam and Leg Braces are level. Dig the base of the legs into the ground to adjust.

Drive each Stake (G) into the ground next to the Swing Beam Legs, as shown. Secure the Stakes directly into the base of the Leg Assemblies using two #10 x 2-1/2" Screws each.

The top of the Stakes must not extend beyond the profile of the leg.

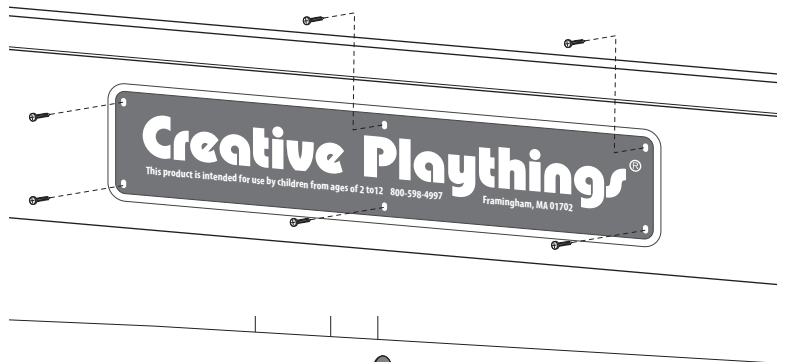
Note: Do NOT use concrete to set Ground Stakes. Simply drive them in to the ground. In hard or rocky soil, drive a metal spike or rod as a pilot hole for the wooden stakes.



## STEP 8 – Nameplate:

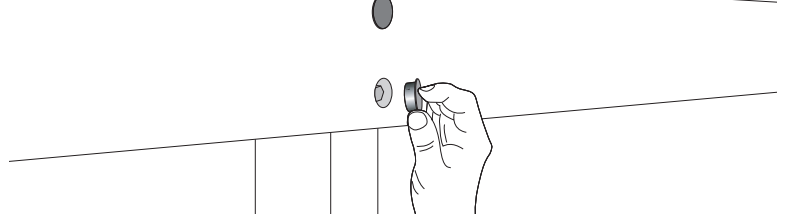
Federal law requires the name of the manufacturer be permanently fastened to the gym for identification in case of recall or warranty claim. Your Swing Beam comes with a nameplate. It is important to fasten the nameplate to the gym.

Fit the nameplate near the center of the Beam. Use the included #6 x 1/2" pan head screws to attach the nameplate to the Swing Beam. Leave Screws slightly loose to allow the Nameplate to shift as the beam swells and shrinks with changes in moisture.



## STEP 9 – Hole Caps:

Use hole caps to cover any countersunk fasteners. Please note: there are no hole caps for the large 5/8" Bolt connection.



## STEP 8 – Hang Swings:

Hang the Swings in the positions shown.

U.S. safety standards require a minimum clearance of 8" from the bottom of each Swing Accessory to the ground. U.K. (& E.U.) safety standards require a minimum clearance of 350mm (13-3/4") between the bottom of each Swing Accessory and the ground.

The height of each Swing Accessory is adjusted by using a different link in the chain. Be sure to hang the Swings Accessories with ground clearance greater than or equal to the safety standard for your region.

