



All hardware on this set is specially coated for corrosion resistance.

If non-Creative Playthings hardware is used, it must be galvanized or stainless steel.

This product is intended for single family home/residential use only and not intended for use in any public setting. Placement in any public setting constitutes a misuse of this product.

Please read the owner's manual before the assembly of your play set. It provides additional information on the care and use of your play set.

You must carefully read the entire instruction manual before proceeding with the assembly or use of your new Playset.

Creative Playthings takes great care to design its products with your child's safety in mind. However, only with careful supervision and proper safety instructions, can you be assured of safe play time on any product designed for children.

PLAYSET SAFETY

FOR SAFETY SAKE, PLEASE TAKE TIME TO READ ALL INSTRUCTIONS COMPLETELY AND CAUTION YOUR CHILDREN APPROPRIATELY.

Observing the following statements & warnings reduces the likelihood of serious or fatal injury:

- Children should use equipment only in its intended manner.
- Children should not wear loose or stringed clothing while using playground equipment.
- Children should not play on equipment in wet weather conditions due to potentially slippery surfaces.
- Children should NOT walk too closely in front of, behind, or between moving swings and trapezes.
- Children should NOT swing empty swing seats.
- Children should NOT jump off swings and/or trapeze while they are in motion.
- Children should NOT twist swing chains because this will reduce the strength of the chains.
- Children should sit in the center of the swings with their full weight on the seats.
- Children should NOT be on the top surface of the swing beam.
- Children should NOT use the equipment in a manner other than intended.
- Children should NOT get off the equipment while it is in motion.
- On-site adult supervision is required at all times for children of all ages.
- Until assembly is complete, DO NOT let your children use the Play Set.
- Never fasten anything not approved by Creative Playthings to your Play Set. Accessories or items not approved by Creative Playthings include; Dog runs, clothes lines, electrical devices, or bird feeders etc.
- Suspended ropes, chains, and cables must be secured at both ends.
- Suspended ropes, chains, and cables must not be capable of looping back on themselves.
- Do not allow more than 120 lbs. on Single occupancy swing accessories such as the Sling Swing and Trapeze.
- Do NOT allow more than 175 lbs. on multiple use swing accessories such as the Back-to-Back Plastic Glider.
- Do NOT allow more children on the Play Set than can simultaneously use all the swing stations at one time.
- Children MUST NEVER wear bicycle helmets while playing on the play-set.

Assembly Safety:

- Adult assembly required
- Face slide away from the sun.
- Keep the work area clean and clear of obstructions.
- Children should stay out of the work area until the safe play area is cleared of obstacles, the Play Set has been completely assembled, all hardware has been tightened and checked, and all tools have been picked up.
- Keep children off the Play Set until it has been completely assembled.
- Parts of the assembly process may require help from another competent adult.
- Do not stand on the platform until the Play Set has been completely assembled, use a step ladder if you can not reach high enough.
- Follow the manufacturers' safety recommendations for the tools and equipment you use.
- Avoid assembling your Play Set in poor weather conditions.
- Wear proper clothing and safety equipment (safety glasses, boots, and gloves) while assembling your Play Set.

SAFE PLAY AREA

SELECTING THE CORRECT LOCATION FOR YOUR PLAY PRODUCT IS IMPORTANT FOR YOUR CHILDREN'S SAFETY AND THE PRODUCT'S LONGEVITY.

Playset Dimensions:

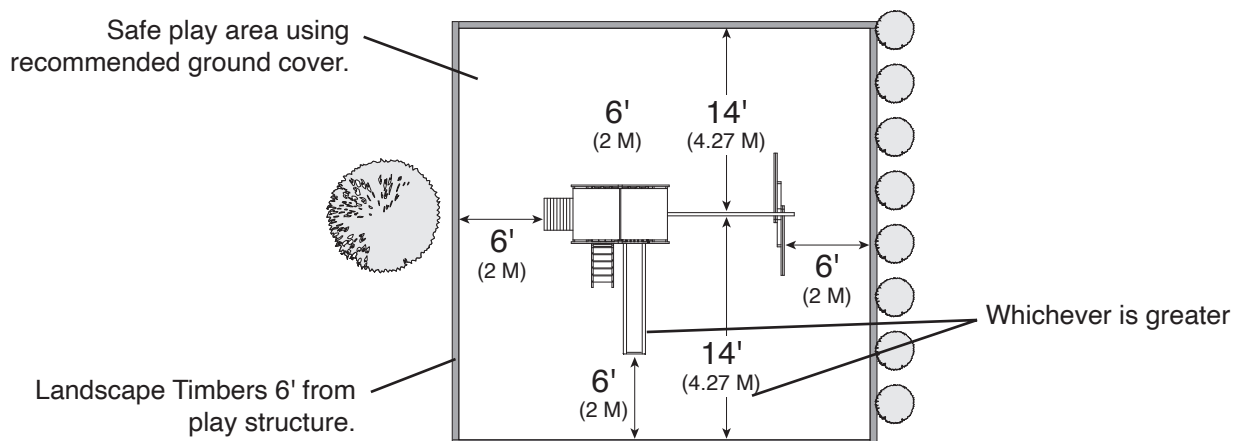
- The Clayton gym has ground dimensions of 17'-10" x 14'-4".
- The Clayton gym requires a level ground surface of 29'-1" x 29'-5" for a Safe Play Area
- Additional accessories may increase the size of the Safe Play Area.
- The maximum fall height for your play set is 87-1/2" as measured from the top of the Swing Beam.

Safe Play Area:

- The Safe Play Area refers to a zone extending 6' (2 meters) beyond the Playset on all sides, including the slide and the space above the Playset. Because children may deliberately jump from a moving swing, the Safe Play Area must be extended to 14' (4.27 meters) in front of and behind a swinging Accessory.
- The ground surface must be level. Installing your Playset on sloping ground can cause it to lean or "rack". This leaning puts additional stress on all connections and joints and in time will cause those connections to loosen and fail.
- The Safe Play Area must be free of all structures, landscaping, trees and branches, rocks, wires, and other obstacles to safe play. Children can be seriously injured running, or swinging into these obstacles.
- Remove all tripping hazards from the Safe Play Area. Tripping hazards include; roots, stumps, rocks, landscaping, sprinkler heads, railroad ties, plumbing and electrical connections.
- Do not install your Playset over concrete, gravel, asphalt, packed earth, or any other hard surface. The following is a list of recommended ground covers from the Consumer Product Safety Commission.

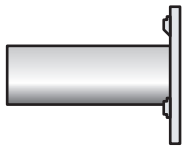
RECOMMENDED GROUND COVER	
Suggested Material	Uncompressed Depth
Double Shredded Bark Mulch	9"
Uniform Wood Chips	12"
Fine Gravel	12"
Fine Sand	12"

- Any edging used to contain the ground cover must be beyond the Safe Play Area. (i.e.. Landscape Timbers)

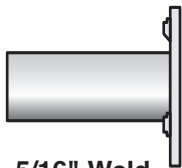


A FALL ONTO A HARD SURFACE COULD RESULT IN SERIOUS INJURY.

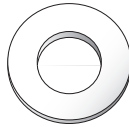
HARDWARE BAG CONTENTS



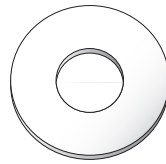
1/4" Weld Nut



5/16" Weld Nut



8mm Flat Washer



5/16" Flat Washer



#10 x 1-5/8" Screw



#10 x 2" Screw



5/16" Lock Washer



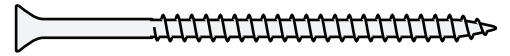
1/4" Lock Washer



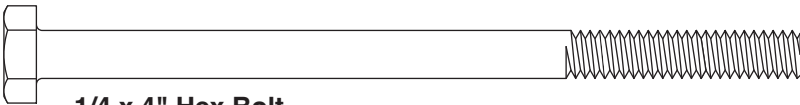
#10 x 2-1/2" Screw



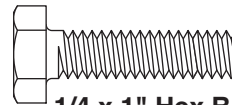
1/4 x 3" Truss Head Bolt



#10 x 2-1/2" T25 Screw



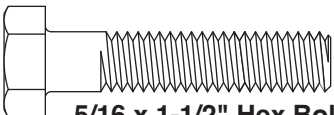
1/4 x 4" Hex Bolt



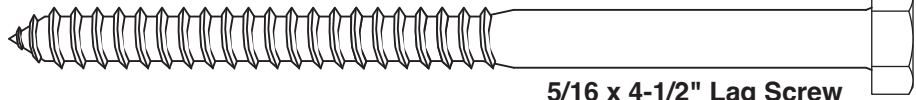
1/4 x 1" Hex Bolt



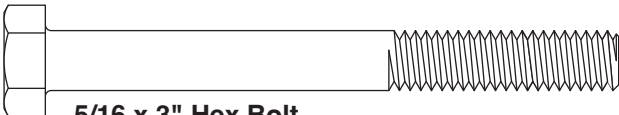
1/4 x 1-1/2" Hex Bolt



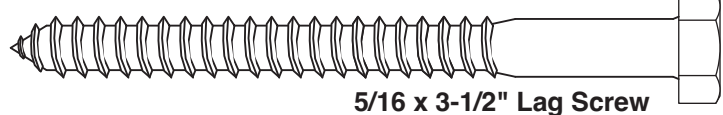
5/16 x 1-1/2" Hex Bolt



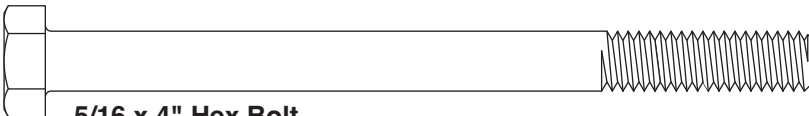
5/16 x 4-1/2" Lag Screw



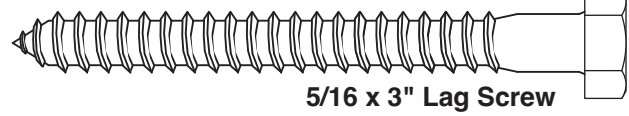
5/16 x 3" Hex Bolt



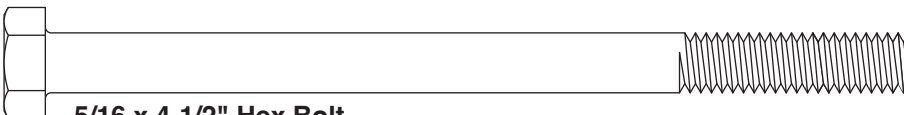
5/16 x 3-1/2" Lag Screw



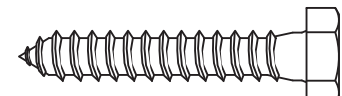
5/16 x 4" Hex Bolt



5/16 x 3" Lag Screw



5/16 x 4-1/2" Hex Bolt



1/4 x 1-1/2" Lag Screw



5/16 x 5-1/2" Hex Bolt

50556-800 Hardware, Clayton

- 4 14161-400 Access Ladder Brackets
- 32 12002-203 Flat Washer 8mm
- 30 12017-205 Lock Washer 1/4"
- 33 17001-104 Weld Nut 1/4"
- 2 17003-409 Hex Bolt 1/4 x 1"
- 26 17003-609 Hex Bolt 1/4 x 1-1/2"
- 2 17003-1609 Hex Bolt 1/4 x 4"
- 2 17036-601 Lag Screw 1/4 x 1-1/2"
- 2 17119-1209 Truss Head Bolt 1/4 x 3"
- 106 12002-206 Flat Washer 5/16"
- 82 12017-206 Lock Washer 5/16"
- 87 17001-105 Weld Nut 5/16"

- 8 17003-611 Hex Bolt 5/16 x 1-1/2"
- 15 17003-1211 Hex Bolt 5/16 x 3"
- 26 17003-1611 Hex Bolt 5/16 x 4"
- 28 17003-1811 Hex Bolt 5/16 x 4-1/2"
- 4 17003-2211 Hex Bolt 5/16 x 5-1/2"
- 8 17036-1202 Lag Screw 5/16 x 3"
- 8 17036-1402 Lag Screw 5/16 x 3-1/2"
- 2 17036-1802 Lag Screw 5/16 x 4-1/2"
- 95 17020-115 Screw #10 x 1-5/8"
- 66 17020-107 Screw #10 x 2"
- 47 17020-113 Screw #10 x 2-1/2"
- 50 17138-1025 T25 Screw #10 x 2-1/2"

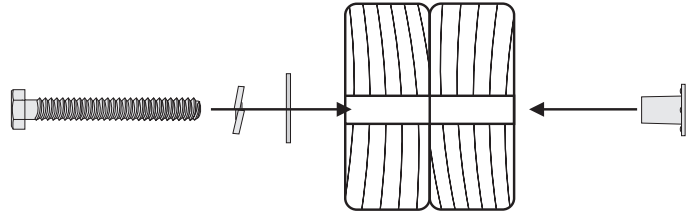
PRE ASSEMBLY INFORMATION

CREATIVE PLAYTHINGS PLAYSETS USE A FEW STANDARD CONNECTIONS. BECOMING FAMILIAR WITH THESE CONNECTIONS WILL SIMPLIFY ASSEMBLY AND INSURE A SAFER PLAY PRODUCT FOR YOUR CHILDREN.

Hex Bolt & Weld Nut Assembly Procedure:

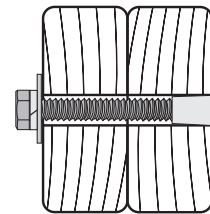
Assembly Layout:

Align the holes in the parts to be fastened. Start preliminary tightening of bolt into weld nut by hand. Tighten each bolt with a wrench until the lock washer is fully compressed between the head of the bolt and the flat washer.



Correct Assembly:

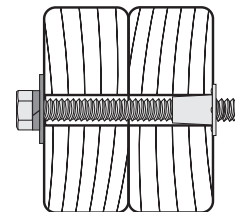
Bolt has been screwed securely into weld nut and the connection is tight. Check connections periodically for tightness during the life of the Playset. **Do not over tighten.**



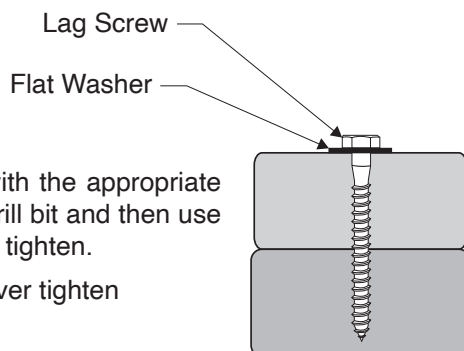
Incorrect Assembly:

During assembly or maintenance the bolt protrudes 1/8" past the weld nut. Call customer service or replace the bolt at a local hardware store. You may be overtightening or using the wrong size bolt.

Failure to replace this bolt with a shorter one could result in serious injury.



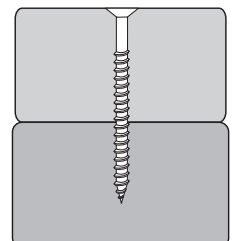
Typical Installation - Lag Screws:



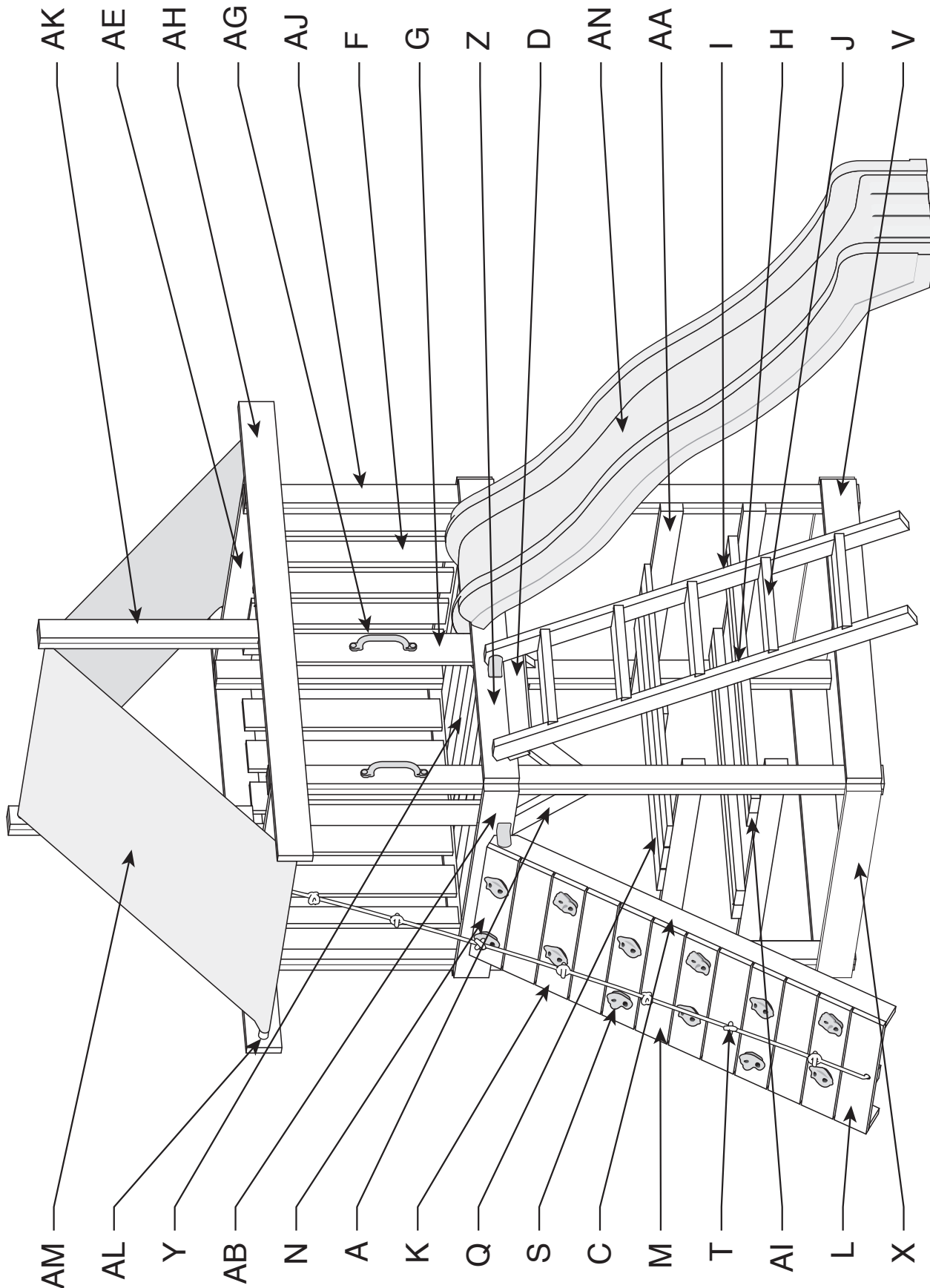
- Pilot drill with the appropriate diameter drill bit and then use a socket to tighten.
- DO NOT over tighten

Typical Installation - Wood Screws:

- Use an electric drill or screw gun to drive screws.
- Drill 1/8" pilot holes where required.
- We recommend that you lubricate the threads of the screws with beeswax or soap to ease installation and minimize breaking screws.
- **It is very important to make certain that the tops of all screws are flush with the surface of the wood and there are no protruding sharp edges.**



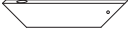




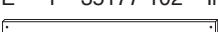
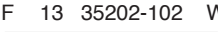

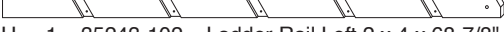



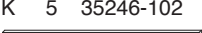
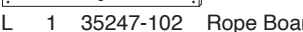




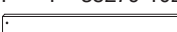
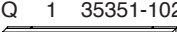
PLAYSET VIEW



Component Part Identification:

Take inventory of all parts, making sure nothing is missing or defective. If you find that parts are missing or defective call the Creative Playthings Customer Service Department at 1-800-598-4997. * Not visible in illustration on Page 6

CLAYTON BOX 1 - 63083-351

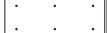

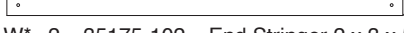
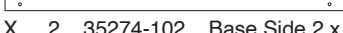
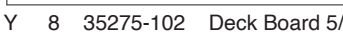

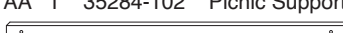
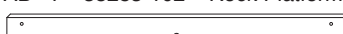




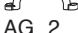

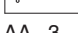
	A	8	31682-102	Angle Brace 2 x 4 x 17-1/4"
	B*	1	32753-102	Rope Bottom Supp 5/4 x 4 x 15-3/4"
	C	2	33598-102	Angled Rail 2 x 4 x 67-1/4"
	D	1	33978-102	Ladder Slat 5/4 x 4 x 18-3/4"
	E*	1	35177-102	Inner Stringer 2 x 3 x 55"
	F	13	35202-102	Wall Slat 5/4 x 6 x 29-1/2"
	G	1	35205-102	Entrance Slat 5/4 x 6 x 29-1/2"
	H	1	35243-102	Ladder Rail Left 2 x 4 x 68-7/8"
	I	1	35244-102	Ladder Rail Right 2 x 4 x 68-7/8"
	J	5	35245-102	Ladder Step 2 x 6 x 17"
	K	5	35246-102	Rock Board 5/4 x 6 x 27-1/4"
	L	1	35247-102	Rope Board 5/4 x 6 x 27-1/4"
	M	5	35248-102	Spacer Board 5/4 x 6 x 27-1/4"
	N	1	35249-102	Top Rock Board 5/4 x 6 x 27-1/4"
	O*	2	35276-102	End Deck Board 5/4 x 4 x 41-1/8"
	P*	1	35279-102	Narr Deck Board 5/4 x 4 x 46-5/8"
	Q	1	35351-102	Table Board 5/4 x 6 x 48-1/4"
	R*	1	40658-102	Slide Mount
	S	1	50277-100	Rock Pack (12), Green
	T	1	40400-100	Climbing Rope

Other Parts


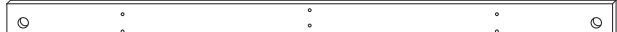

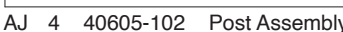
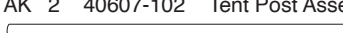


AN	1	8570-202	10 Ft. Green Wave Slide
	1	63080-101	Classic Pine 3 Position Swing Beam (Swing Mount included with Swing Beam)
	1	AA934-204	2 Swings, 1 Trapeze

COMPONENT VIEW

CLAYTON BOX 2 - 63083-352

	U*	1	32225-102	Table Cleat 5/4 x 6 x 14"
	V	2	35173-102	End Support 2 x 6 x 55"
	W*	2	35175-102	End Stringer 2 x 3 x 54-3/4"
	X	2	35274-102	Base Side 2 x 6 x 47"
	Y	8	35275-102	Deck Board 5/4 x 6 x 46-5/8"
	Z	2	35282-102	Platform End 2 x 6 x 55"
	AA	1	35284-102	Picnic Support 2 x 4 x 46-1/2"
	AB	1	35283-102	Rock Platform Side 2 x 6 x 47"
	AC*	1	35287-102	Rope Wall Support 2 x 6 x 47"
	Q	2	35351-102	Table Board 5/4 x 6 x 48-1/4"
	AD*	1	35352-102	Swing Platform Side 2 x 6 x 47"
	AE	1	35353-102	Swing Wall Support 2 x 6 x 47"
	AF*	2	35445-102	Seat Cleat 5/4 x 6 x 6"
	AG	2	15034-100	Plastic Hand Grip, Yellow
		1	50556-800	Hardware, Clayton

Clayton Tent Roof with Posts

	AA	3	35284-102	Picnic Support 2 x 4 x 46-1/2"
	AH	2	35288-102	End Tent Support 2 x 6 x 83-1/2"
	AI	4	35350-102	Seat Board 2 x 4 x 48-1/4"
	AJ	4	40605-102	Post Assembly
	AK	2	40607-102	Tent Post Assembly
	AL	3	14235-400	Tent Pipe 1-3/8" Dia. x 48-3/4"
	AM	1	40606-400	Tent, Green

63083-353

MAINTENANCE INSTRUCTIONS

**YOUR CREATIVE PLAYTHINGS PLAY SET IS STAINED AT OUR FACTORY.
STAINING IS NOT NEEDED AT THE TIME OF INITIAL ASSEMBLY.**

Re-staining Information:

- Pigmented, exterior, water repellent stains are recommended and will provide an excellent barrier against moisture without hiding the natural wood grain or leaving a film that may later crack or peel.
- We recommend that you apply stain according to the instructions and precautions recommended by the stain manufacturer.
- It should take three or more quarts to cover your set.
- Contact your local dealer or call Creative Playthings for our staining products.
- All rungs are pre-finished at the factory and do not require any finishing at the time of initial assembly.
- Do not paint, or varnish rungs or steps.
- Avoid using finishes that create slippery surfaces.

Maintenance:

- Wooden playground equipment will last for years with proper maintenance. Maintenance of the Playset finish will vary depending on weather climate.
- As a safety precaution, check all hardware, such as nuts and bolts, for tightness twice a month during use and at the beginning of each play season. Tighten as required and specified in these instructions. Do not over-tighten.
- Check structure twice monthly during usage for any evidence of deterioration. If upon inspection, hardware has sharp edges, rusted or structural pieces have signs of premature failure; replace them through Creative Playthings Customer Service.
- Oil all metallic moving parts monthly during the usage season.
- The swings, trapeze, tent, rope ladders, and any other removable plastic accessories should be removed and taken indoors when outside temperatures drop below 32° F (0° C).
- Wood will expand and contract as it adjusts to temperature changes and varying moisture conditions. Checks or cracks are a natural characteristic of all wood and will not affect the strength or durability of the wooden components.
- To maintain the finish of your set, a light sanding and an application of an exterior stain will repair scratches and prevent wood from aging prematurely.
- Finishes applied to ladder rungs must not create a slippery surface.
- The wood parts of your Playset should never be disposed of by burning.
- Dispose of all parts so as not to create a hazard.
- "Check all coverings for bolts and sharp edges and replace when required."
- "Check swing seats, chains, ropes, and other means of attachments for evidence of deterioration". Replace through Creative Playthings Customer Service.

Tools & Materials Suggested for Finishing & Assembly:

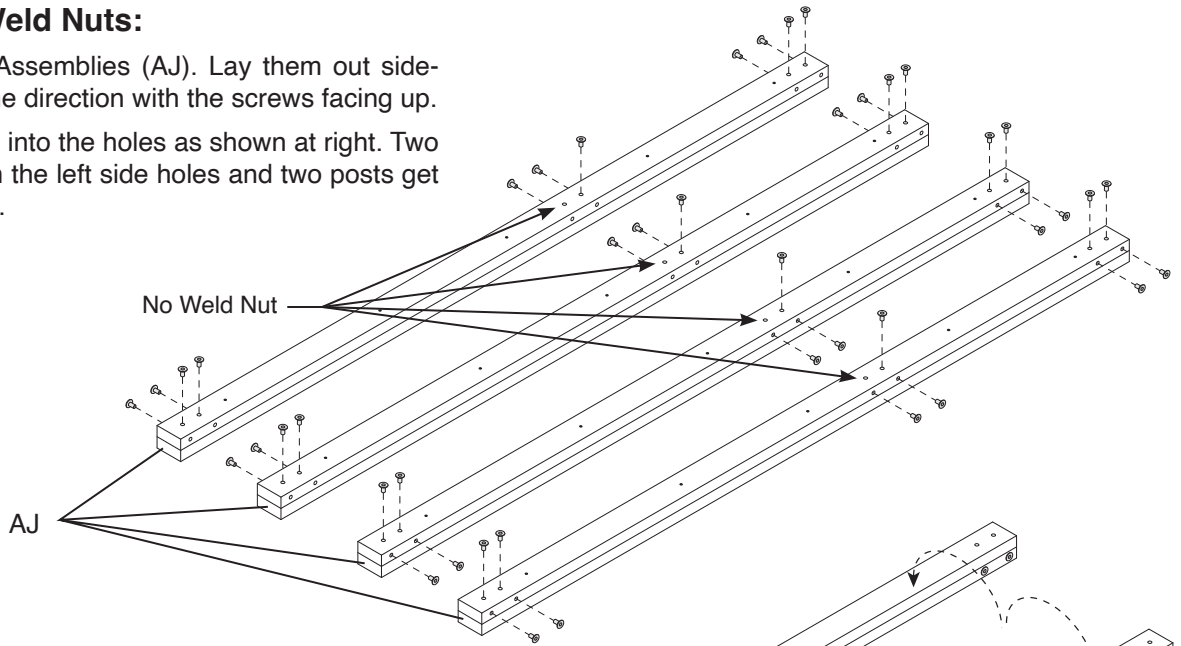
- Claw Hammer
- Carpenter's Level
- Box Wrench or Sockets (7/16", 1/2", & 9/16)
- Electric Drill
- 1/8", 3/16", 1/4", 5/16", 3/8" Drill Bits (High Speed)
- Screwdriver or driver drill (Medium Phillips & T25 Torx)
- Pliers
- 10 ft. Tape Measure
- Framing Square
- 6 ft. Step Ladder
- Beeswax or Soap (Used to lubricate screw threads)

ASSEMBLY INSTRUCTIONS

STEP 1 – Insert Weld Nuts:

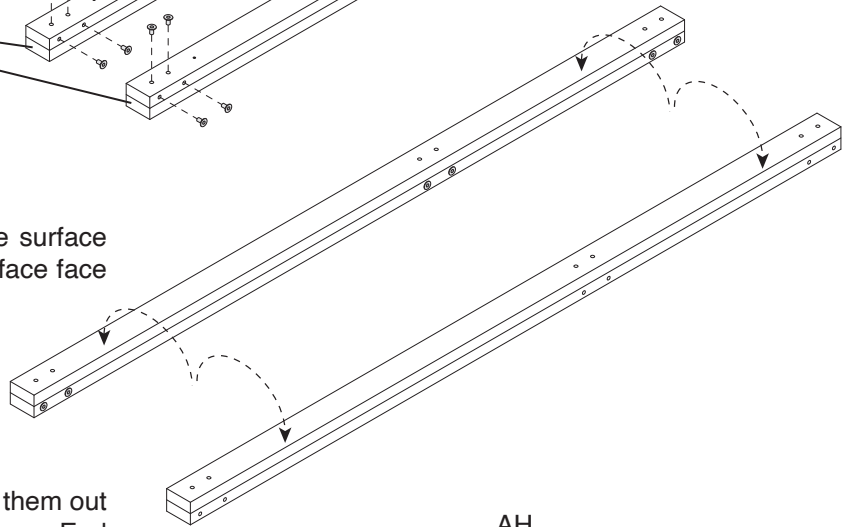
Locate the four Post Assemblies (AJ). Lay them out side-by-side facing the same direction with the screws facing up.

Insert 5/16" Weld Nuts into the holes as shown at right. Two posts get Weld Nuts in the left side holes and two posts get Weld Nuts on the right.



STEP 2 – Flip Posts:

Roll the posts over so the Weld Nuts on the wide surface face down and the Weld Nuts on the narrower surface face inward.



STEP 3 – Gym End Assembly:

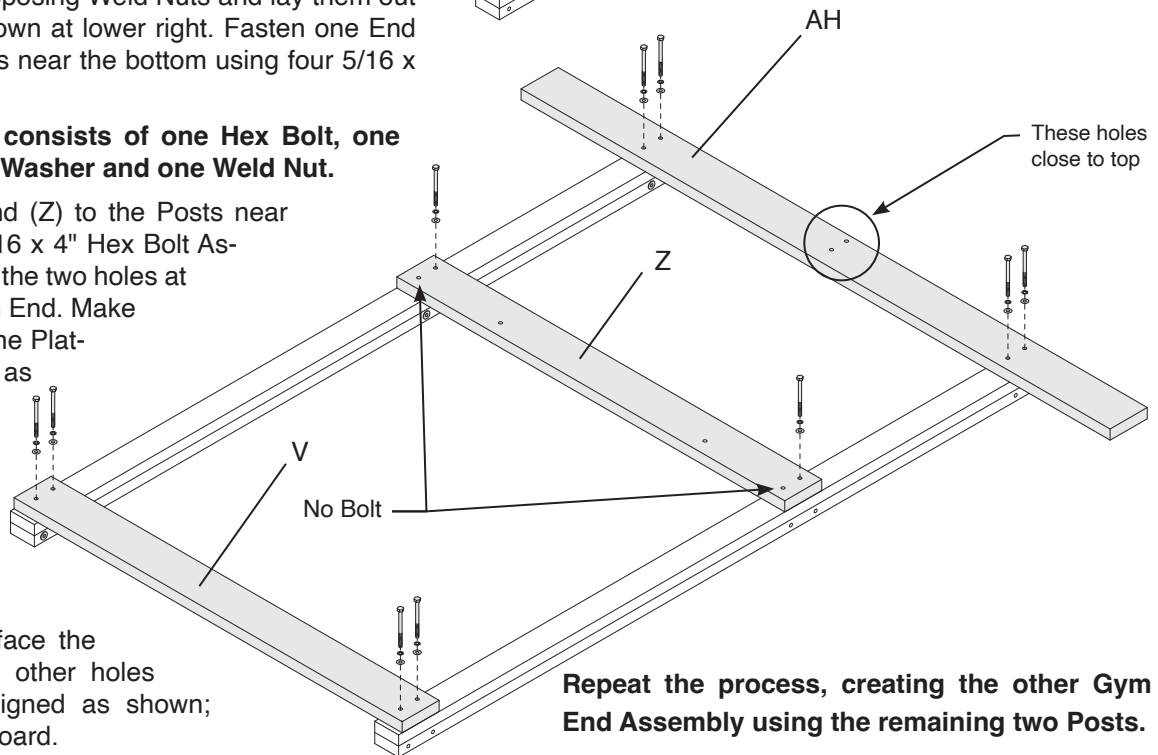
Select two Posts with opposing Weld Nuts and lay them out roughly 50" apart as shown at lower right. Fasten one End Support (V) to the Posts near the bottom using four 5/16 x 4" Hex Bolt Assemblies.

A Hex Bolt Assembly consists of one Hex Bolt, one Lock Washer, one Flat Washer and one Weld Nut.

Fasten one Platform End (Z) to the Posts near the middle using two 5/16 x 4" Hex Bolt Assemblies. Use the top of the two holes at each end of the Platform End. Make sure the other holes in the Platform End are aligned as shown.

Fasten one End Tent Support (AH) to the Posts near the top using four 5/16 x 4" Hex Bolt Assemblies.

The large holes for the Tent Pipes should face the ground. Make sure the other holes near the center are aligned as shown; closer to the top of the board.



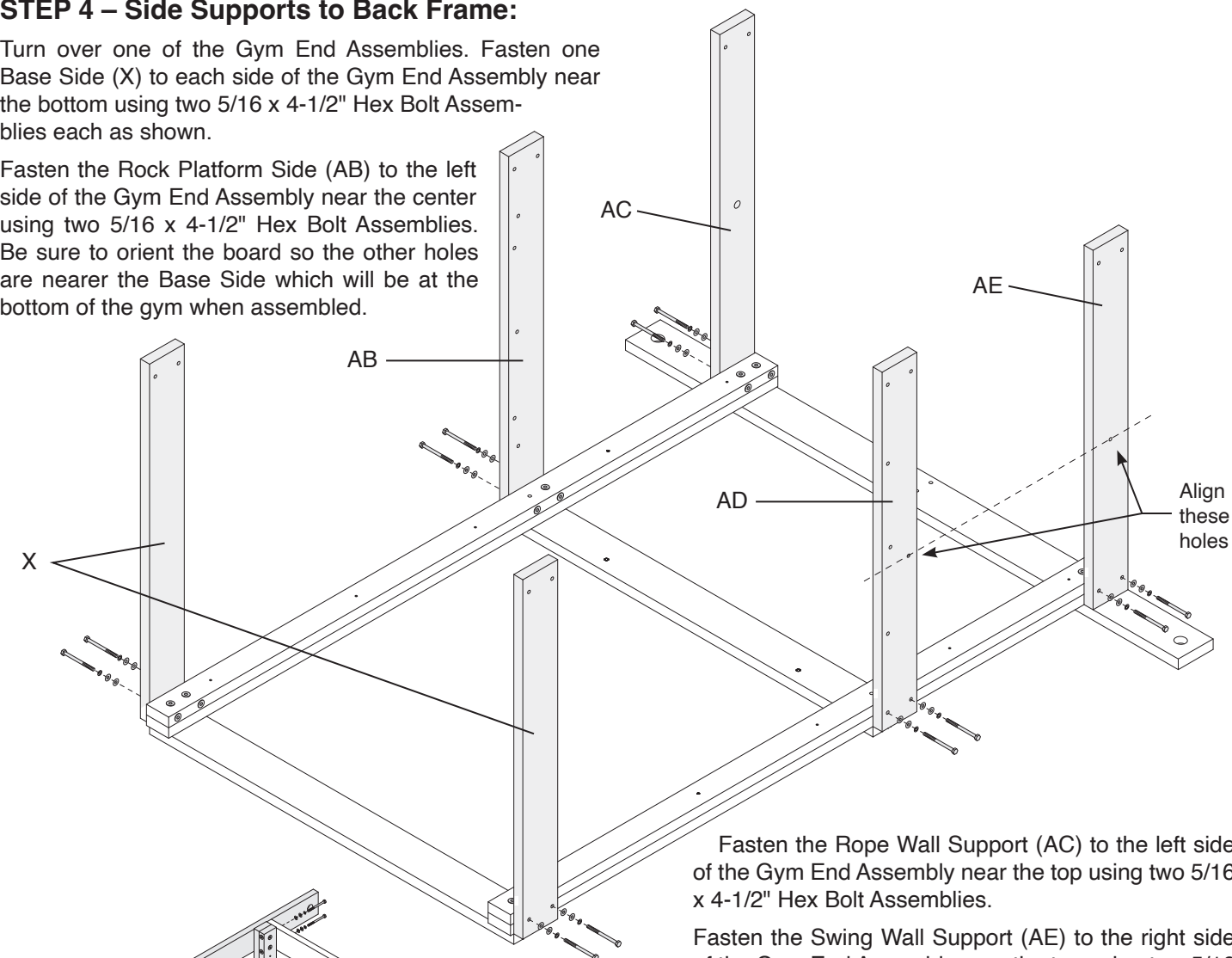
Repeat the process, creating the other Gym End Assembly using the remaining two Posts.

ASSEMBLY INSTRUCTIONS

STEP 4 – Side Supports to Back Frame:

Turn over one of the Gym End Assemblies. Fasten one Base Side (X) to each side of the Gym End Assembly near the bottom using two 5/16 x 4-1/2" Hex Bolt Assemblies each as shown.

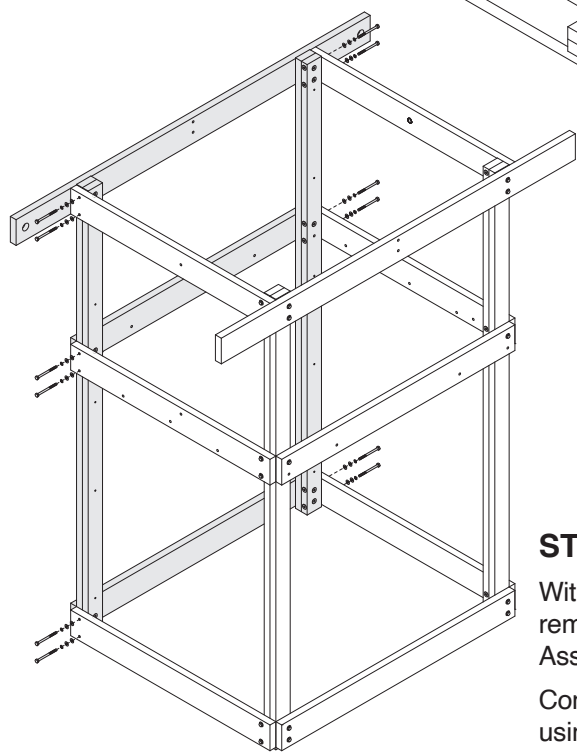
Fasten the Rock Platform Side (AB) to the left side of the Gym End Assembly near the center using two 5/16 x 4-1/2" Hex Bolt Assemblies. Be sure to orient the board so the other holes are nearer the Base Side which will be at the bottom of the gym when assembled.



Fasten the Rope Wall Support (AC) to the left side of the Gym End Assembly near the top using two 5/16 x 4-1/2" Hex Bolt Assemblies.

Fasten the Swing Wall Support (AE) to the right side of the Gym End Assembly near the top using two 5/16 x 4-1/2" Hex Bolt Assemblies. Be sure to orient the board so the hole near the center of the board is offset closer to the Post.

Fasten the Swing Platform Side (AD) to the right side of the Gym End Assembly near the center using two 5/16 x 4-1/2" Hex Bolt Assemblies. Be sure to orient the board so the three holes along the edge are nearer the Base Side which will be at the bottom of the gym when assembled. Also be sure to align the other central hole with the central hole on the Swing Wall Support, closer to the Post.



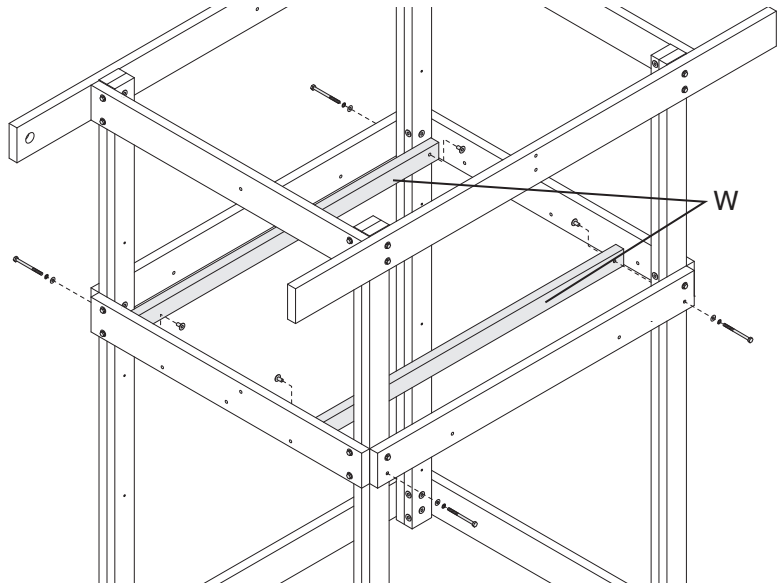
STEP 5 – Front Gym End Assembly:

With the help of others stand up the assembly from Step 4. Stand up the remaining Gym End Assembly and fasten the Platform Sides to the Gym End Assembly using four 5/16 x 4-1/2" Hex Bolt Assemblies.

Continue securing the tower by fastening the Base Sides and Wall Supports using two 5/16 x 4-1/2" Hex Bolt Assemblies for each.

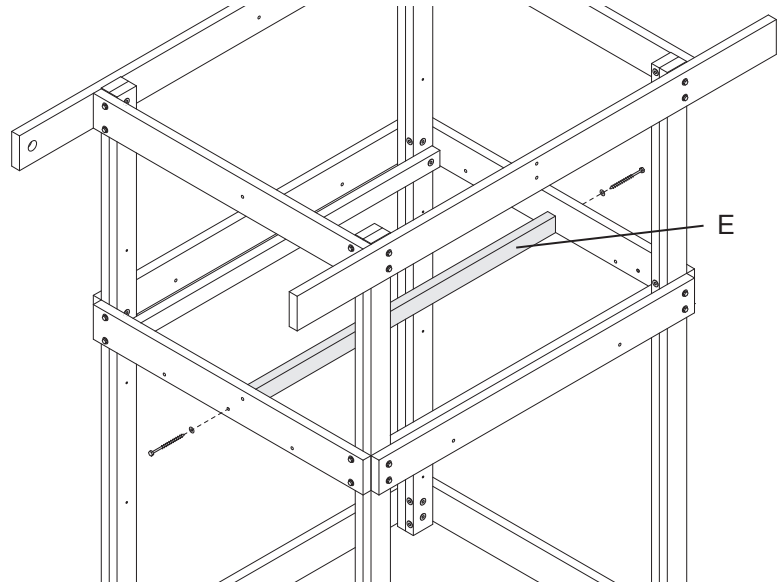
STEP 6 – End Stringers:

Attach each End Stringer (W) using two 5/16 x 5-1/2" Hex Bolt Assemblies as shown. The Hex Bolt should start from the outside of the Gym. Push each bolt through the bottom hole in the Platform End and the Posts before passing through the End Stringer. Make sure the bottom edges of the Platform Ends and Stringers align. **The holes in the End Stringers are offset from the center of the board; you may have to flip the board to achieve proper alignment.**



STEP 7 – Inner Stringer:

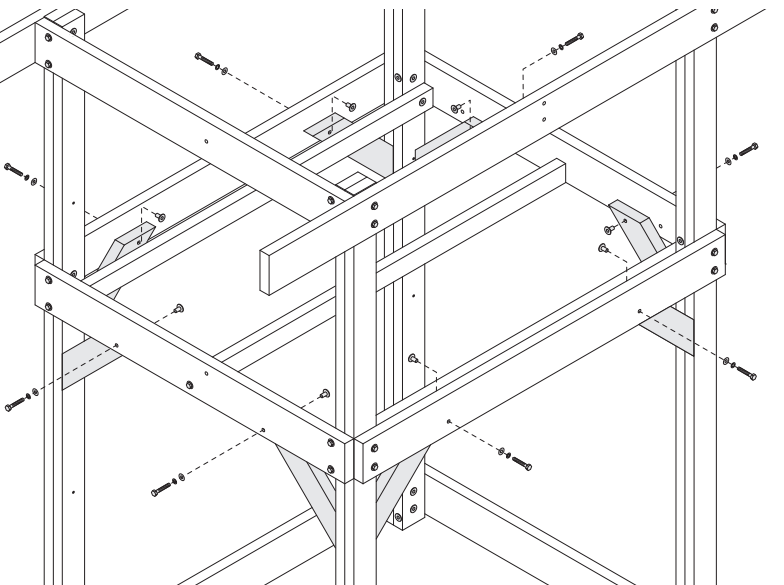
Install the Inner Stringer (E) between the Rock Platform Side and Swing Platform Side. Attach the Platform Stringer using two 5/16 x 4-1/2" Lag Screws and Flat Washers as shown. Make sure the bottom edge of the stringer aligns with the bottom edge of the Platform sides.



STEP 8 – Angle Braces to Platform Supports:

Move the tower to its final position, if you have not done so already. Check to make sure the tower sits firmly on the ground. With a level, make sure the supports are level and the posts are plumb.

Fasten the eight Angle Braces (A) to the Platform Supports in the positions shown using 5/16 x 3" Hex Bolt Assemblies. Leave the fasteners loose enough for the Angle Braces to pivot.

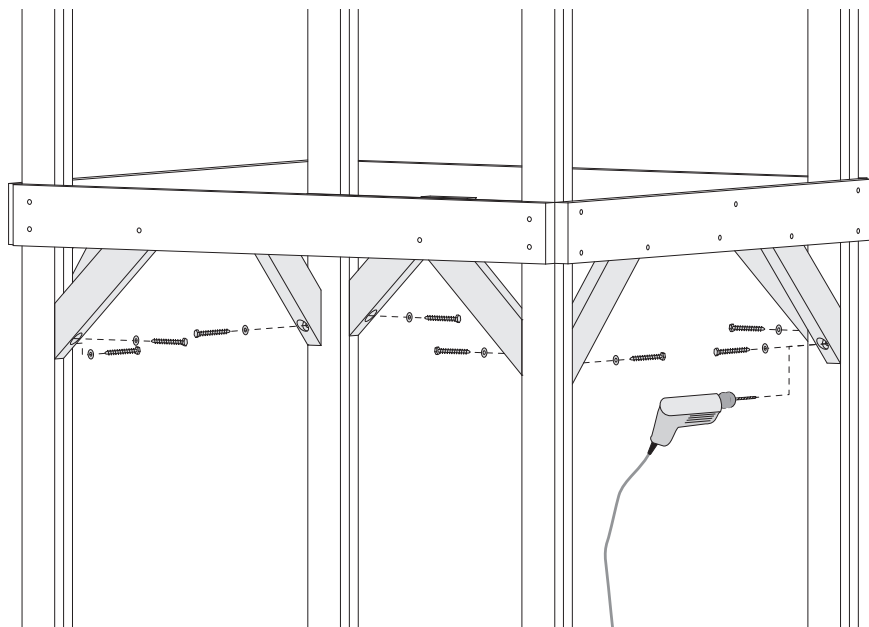


ASSEMBLY INSTRUCTIONS

STEP 9 – Angle Braces to Posts:

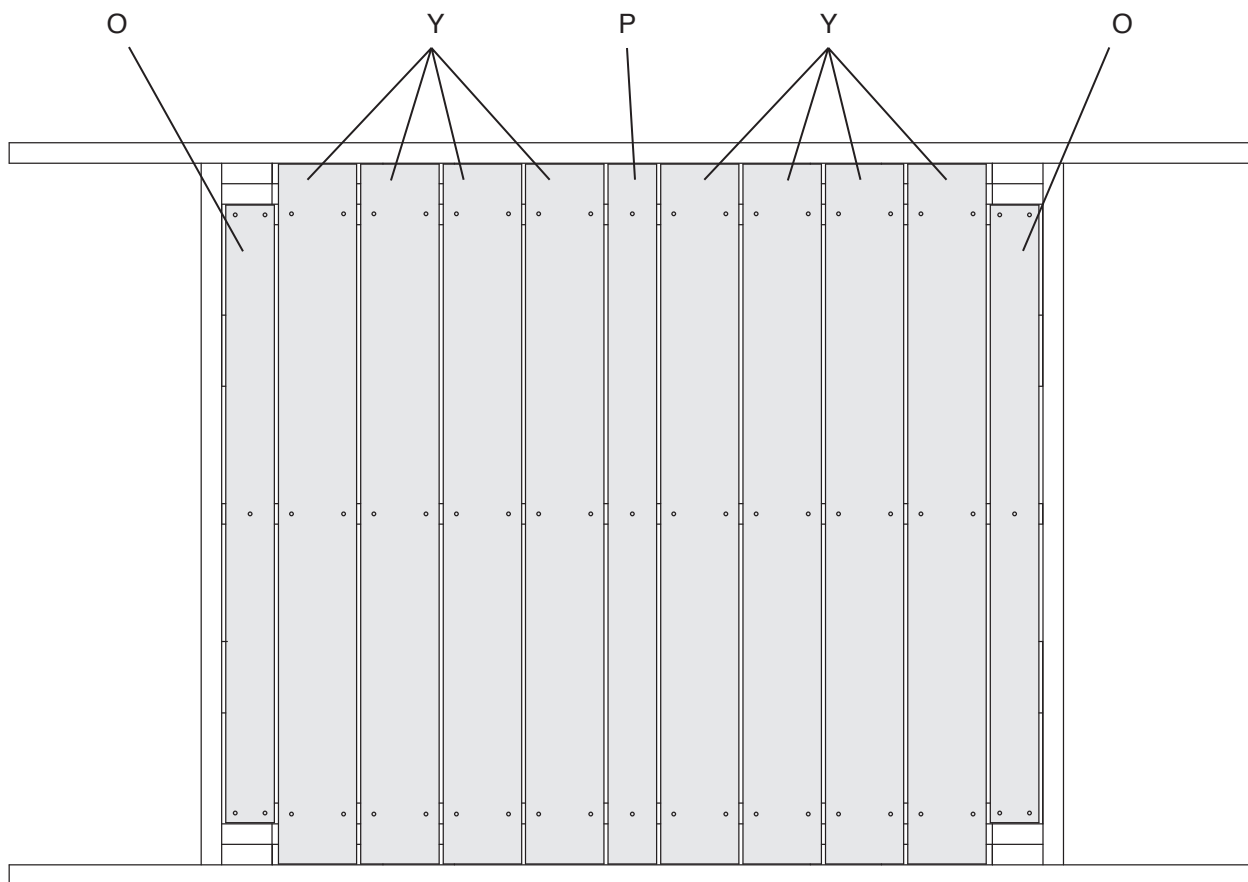
Position the Angle Braces with the angled ends flat against the Corner Posts nearest to them. With a pencil, mark the position where the holes in the Angle Braces rest against the Corner Posts. At each mark drill a 3/16" diameter x 2" deep pilot hole in the Corner Posts. Fasten the Angle Braces to the Corner Posts using one 5/16 x 3" Lag Screw and Flat washer in each Angle Brace.

Tighten all hardware securing the Angle Braces.



STEP 10 – Platform Boards:

Lay out the eight Deck Boards (Y), two End Deck Boards (O), and the Narrow Deck Board (P) across the End and Inner Stringers in the pattern shown below. Space the Boards evenly between the Posts. The gap between the boards will be approximately 1/4". Attach each Board to the Stringers using one #8 x 2" Screw in each hole.

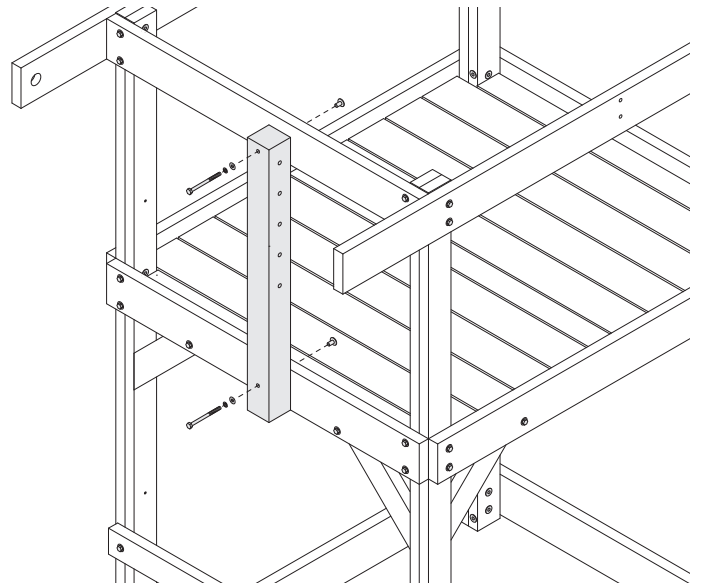


ASSEMBLY INSTRUCTIONS

STEP 11 – Swing Mount:

The Swing Mount for this gym is included in the box for the Classic Pine 3 Position Swing Beam.

Fasten the Swing Mount to the Swing Wall Support and Swing Platform Side using two 5/16 x 4-1/2" Hex Bolt Assemblies as shown at right.

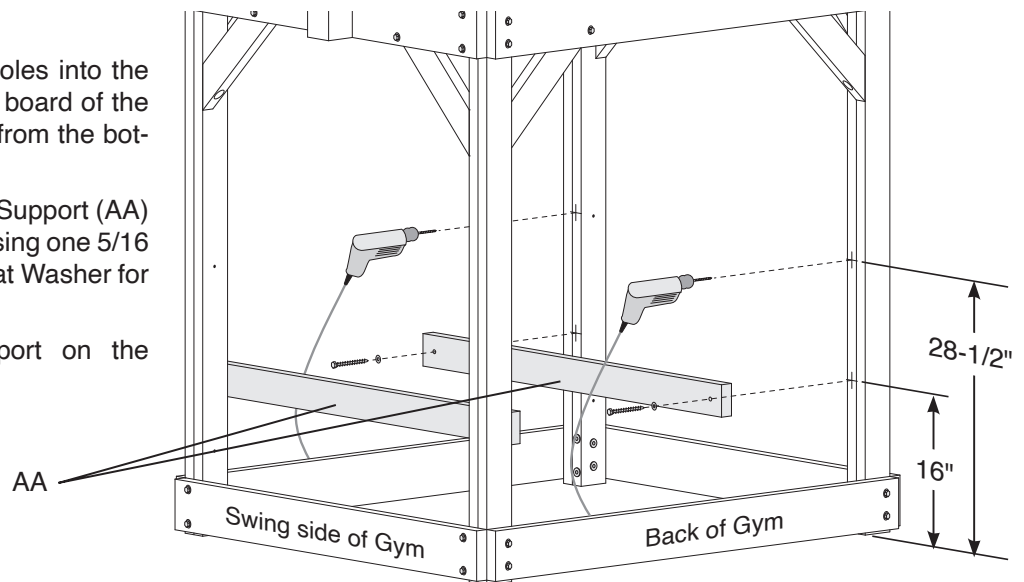


STEP 12 – Seat Supports:

Drill 1/4" diameter x 2" deep pilot holes into the center of the thickness of the inside board of the post assemblies at 16" and 28-1/2" from the bottom of the posts as shown.

In the lower holes fasten one Picnic Support (AA) to the swing-side Post Assemblies using one 5/16 x 3-1/2" Lag Screw and one 5/16" Flat Washer for each end.

Repeat with another Picnic Support on the opposite Posts.

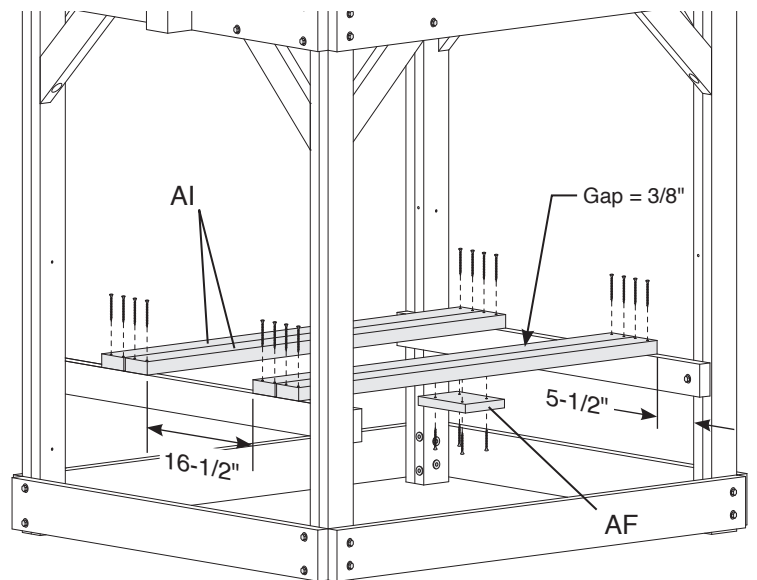


STEP 13 – Seats:

Arrange the Seat Boards (AI) in pairs resting on the Picnic Supports. Leave a gap of 16-1/2" between the center Seat Boards. The space between the outer Seat Boards and the corner Posts should be approximately 5-1/2".

Fasten the Seat Boards using four #8 x 2-1/2" Screws for each board.

Fasten one Seat Cleat (AF) in the center beneath one pair of Seat Boards using four #8 x 1-5/8" Screws as shown. Repeat with the other Seat cleat.

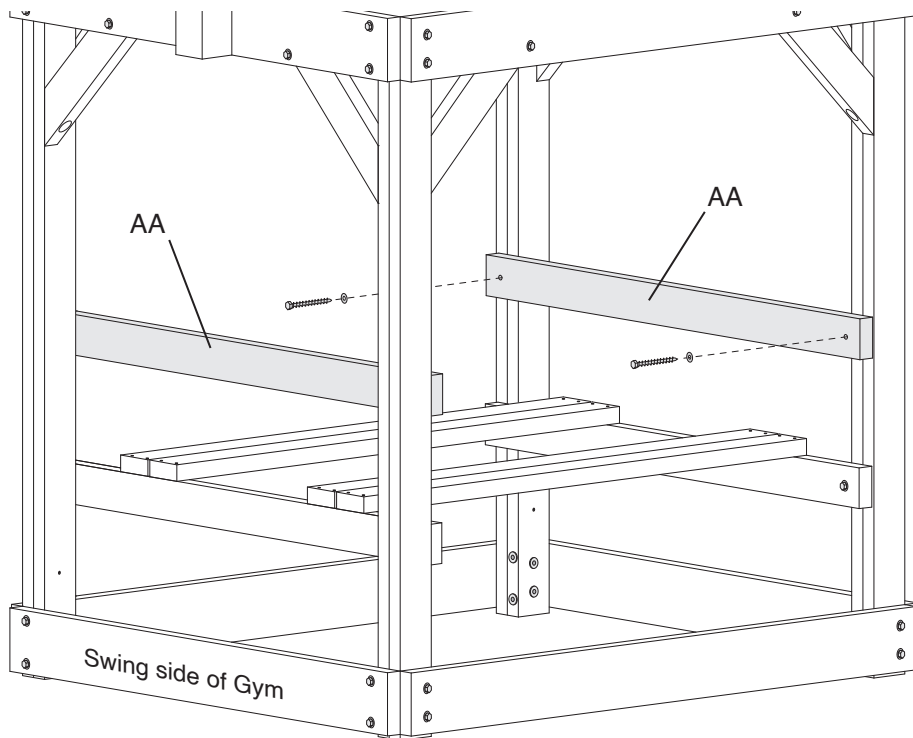


ASSEMBLY INSTRUCTIONS

STEP 14 – Table Supports:

Using the upper holes drilled in Step 24, fasten one Picnic Support (AA) to the swing-side Post Assemblies using one 5/16 x 3-1/2" Lag Screw and one 5/16" Flat Washer for each end.

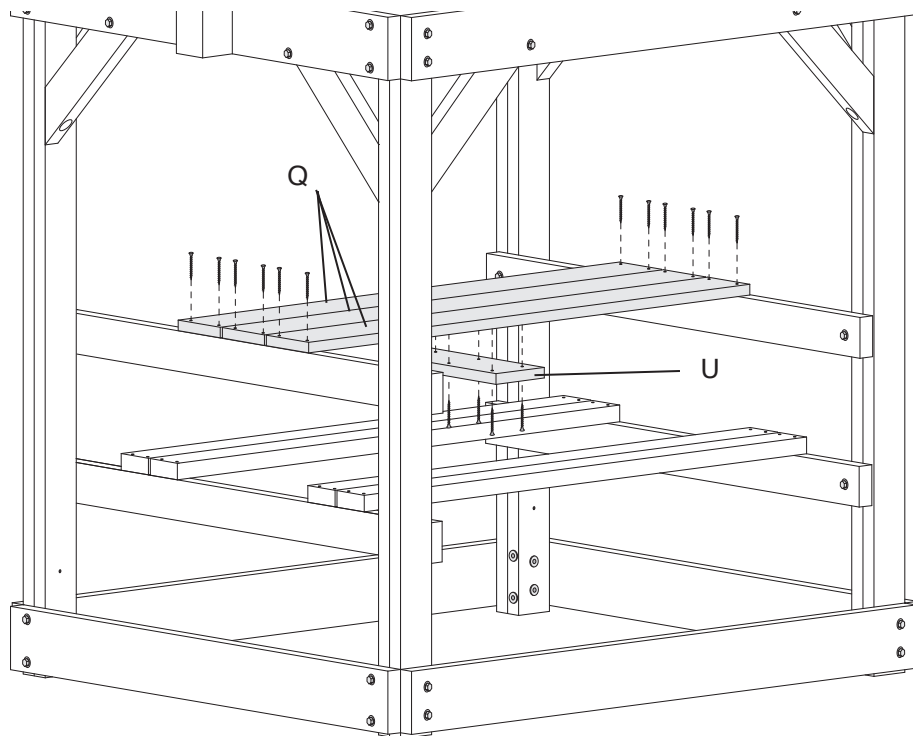
Repeat with another Picnic Support on the opposite Posts.



STEP 15 – Table Boards & Table Cleat:

Arrange three Table Boards (Q) in the center of the two Table Supports and attach each board using four #8 x 1-5/8" Screws in each as shown.

Fasten the Table Cleat (U) in the center beneath the Table Boards using six #8 x 1-5/8" Screws as shown. Do not drive screws too deeply; do not allow the tips of the screws to protrude from the top of the Table Boards.

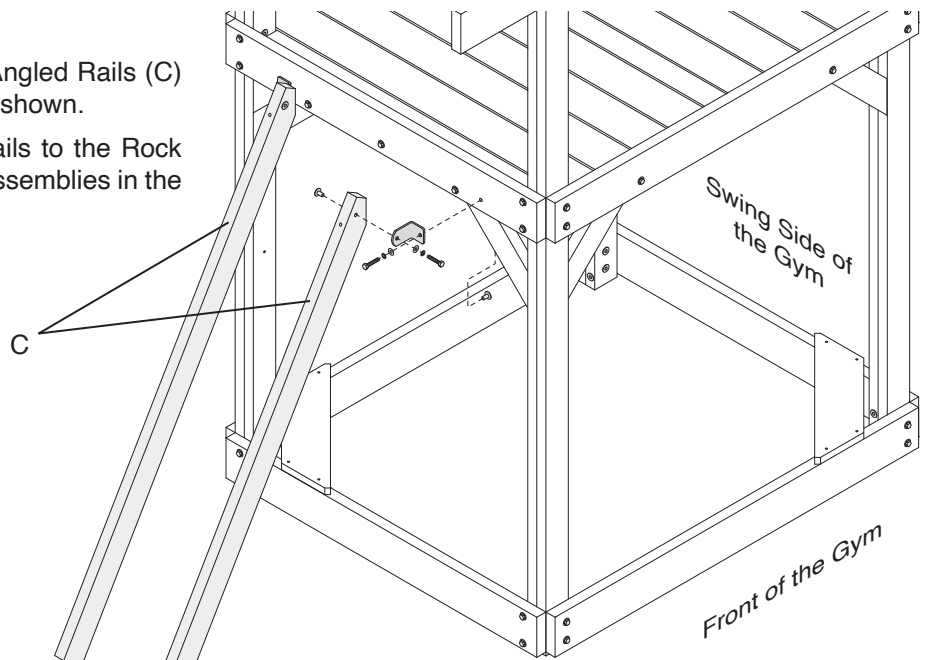


ASSEMBLY INSTRUCTIONS

STEP 16 – Angled Rails:

Fasten the Access Ladder Brackets to the Angled Rails (C) using 5/16 x 1-1/2" Hex Bolt Assemblies, as shown.

Fasten the Access Brackets and Angled Rails to the Rock Platform Side using 5/16 x 1-1/2" Hex Bolt Assemblies in the positions shown at right.

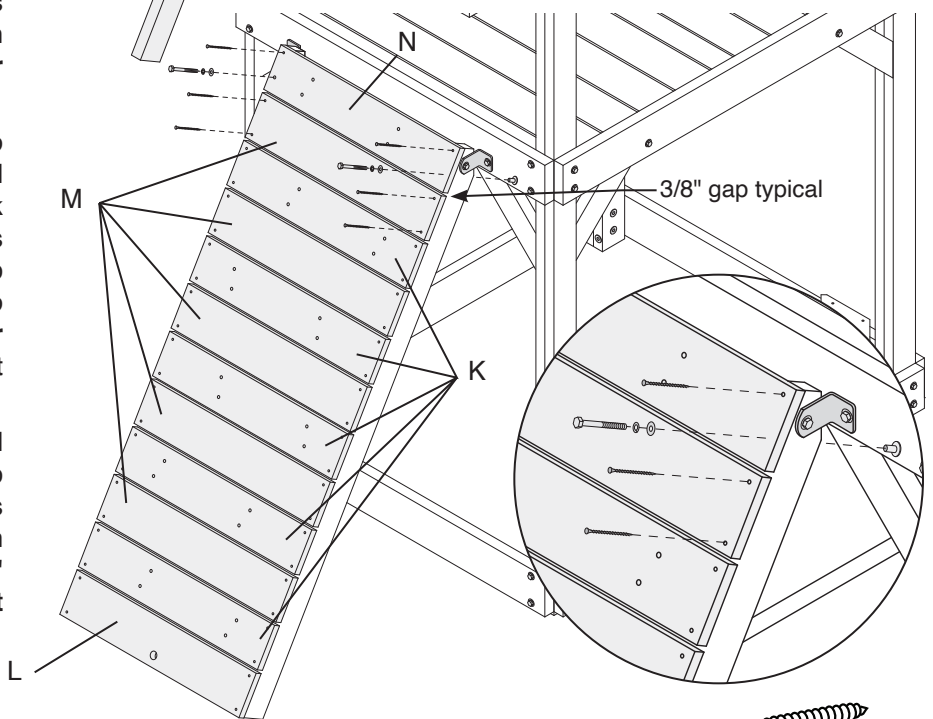


STEP 17 – Rock Climber Boards:

Make sure the Angled Rails are square to the gym, parallel to each other, and at the same angle to the ground. Fasten the Rope Board (L) at the bottom of the Angled Rails using one #10 x 2-1/2" T25 Screw in each corner. **Drill 1/8" diameter pilot holes for each Screw.**

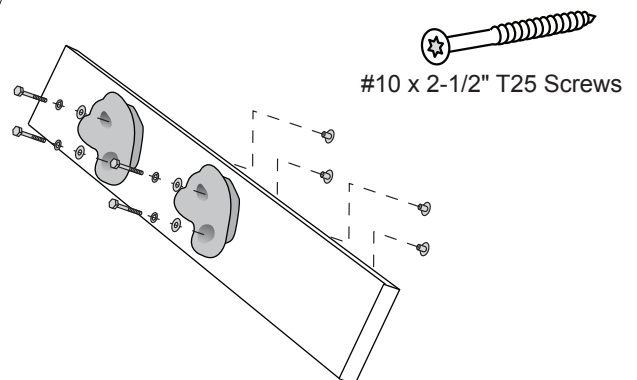
Use two 1/4 x 4" Hex Bolt Assemblies to fasten the Top Rock Board (N) to the Angled Rails. Thread the Bolts through the Top Rock Board, the Angled Rails and into Weld Nuts inserted from below. Finish securing the Top Rock Board to the Angled Rails using two #10 x 2-1/2" T25 Screws. **Use 1/8" diameter pilot holes** to ensure that the screws do not split the Angled Rail.

Evenly space five Spacer Boards (M) and five Rock Boards (K) between the Top Rock Board and Rope Board. The gaps will be approximately 3/8". Secure them to the Angled Rails using four #10 x 2-1/2" T25 Screws each. **Use 1/8" diameter pilot holes for all screws.**



STEP 18 – Rocks:

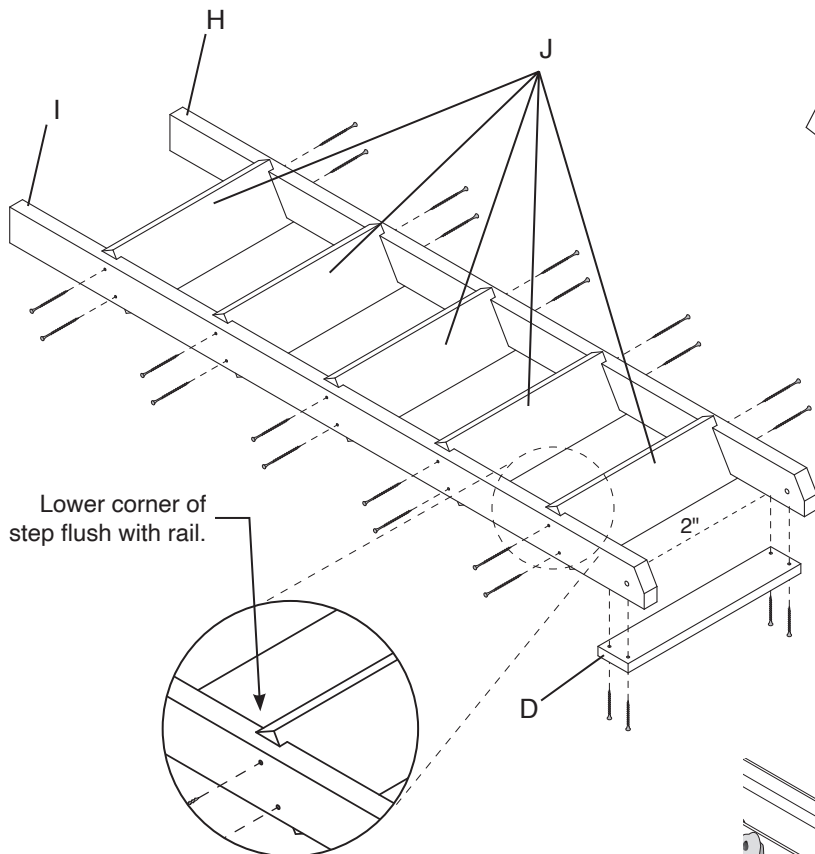
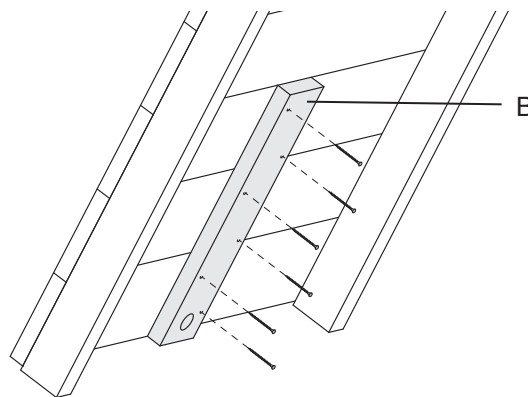
Fasten a Climbing Rock to each pair of holes in the Rock Boards. Use 1/4 x 1-1/2" Hex Bolts, 1/4" Lock Washers, 8mm Flat Washers and 1/4" weld nuts. Do not over-tighten the fasteners. The bolt must seat completely into the Climbing Rock, and not protrude more than a 1/8" past the end of the weld nut. Protruding bolts can be a hazard to users, replace any protruding bolts.



ASSEMBLY INSTRUCTIONS

STEP 19 – Rope Bottom Support:

Align the large hole in the Rope Bottom Support (B) with the back of the large hole in the Rope Board. Fasten the Rope Bottom Support to the Rope, Spacer and Rock Boards using six #8 x 1-5/8" Screws.



STEP 20 – Assemble Access Ladder:

Slide the Ladder Steps (J) into the slots cut into the Left and Right Ladder Rails (H & I), as shown. Make sure the lower corners on the sides of the steps fit even with the face of the Rails. Secure each Step using four #8 x 2-1/2" Screws through the holes provided.

Fasten The Ladder Slat (D) to the back of the Ladder Rails using four #10 x 2" Screws. Use a 1/8" diameter drill to create a pilot hole for each screw. **Leave a gap of 2" between the top of the Step and the bottom of the Ladder Slat.**

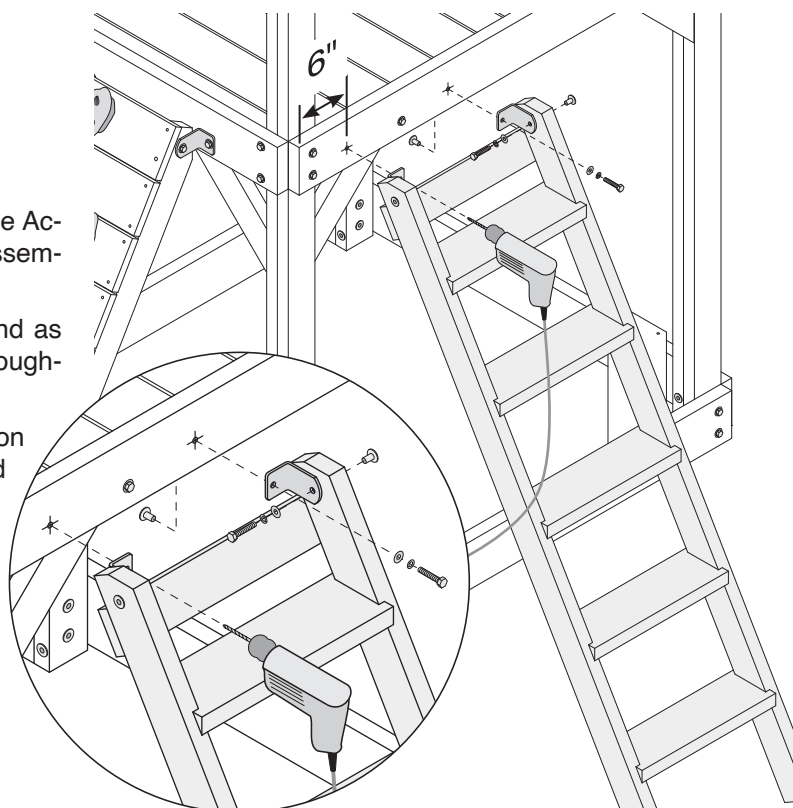
STEP 21 – Mount Access Ladder:

Loosely fasten two Access Brackets to the inside of the Access Ladder Rails using one 5/16" x 1-1/2" Hex Bolt Assembly each, as shown.

Lean the Access Ladder against the front Platform End as shown. The hole in the left Access Bracket should be roughly 6" from the end of the front Platform End.

Mark the position of the holes in the Access Brackets on the front Platform End. Check for obstructions behind the board before drilling 3/8" diameter holes through the front Platform End.

Fasten the Access Ladder Brackets to the Platform front using 5/16 x 1-1/2" Hex Bolt Assemblies. Tighten all hardware.

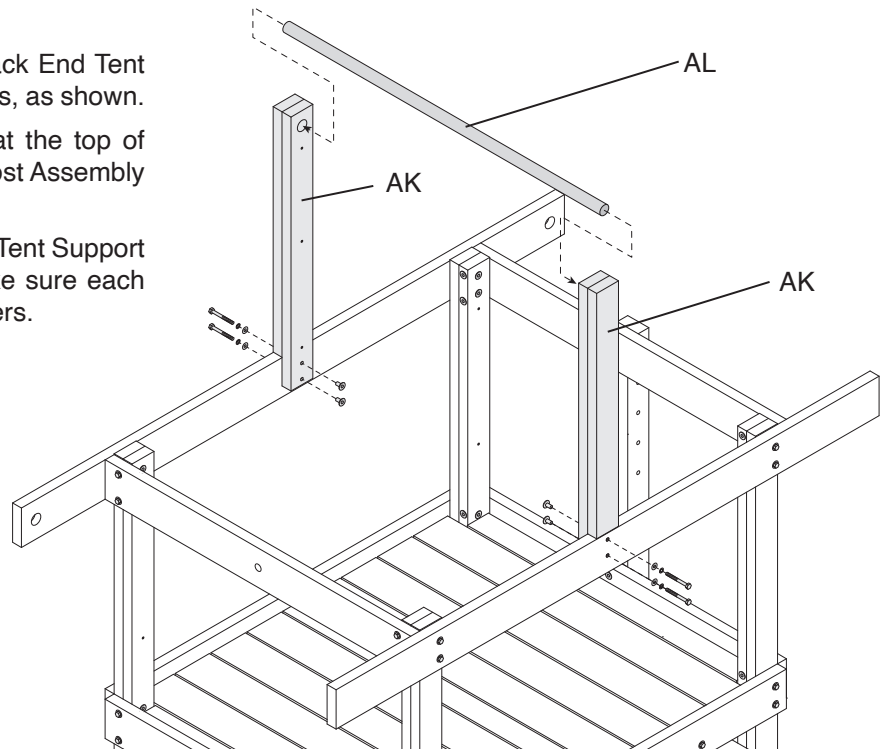


STEP 22 – Tent Posts & Center Pipe:

Fasten one Tent Post Assembly (AK) to the back End Tent Support using two 5/16 x 3" Hex Bolt Assemblies, as shown.

Slide one Tent Pipe (AL) into the large hole at the top of the Tent Post Assembly. Slide the Other Tent Post Assembly over the opposite end of the pipe.

Fasten the Tent Post Assembly to the front End Tent Support using two 5/16 x 3" Hex Bolt Assemblies. Make sure each Tent Post is plumb before tightening the fasteners.



If the Hex Bolt protrudes beyond the Weld Nut use EXTRA Flat Washers under the Lock Washer.

STEP 23 – End Tent Pipes & Tent:

Slide one tent Pipe (AL) through the hem at one end of the Tent (AM).

Loosen the fasteners that secure the left end of the Front Tent Support. Fit one end of the Tent Pipe into the large hole in the back End Tent Support. Fit the other end of the Pipe into the hole in the front End Tent Support. Retighten the fasteners.

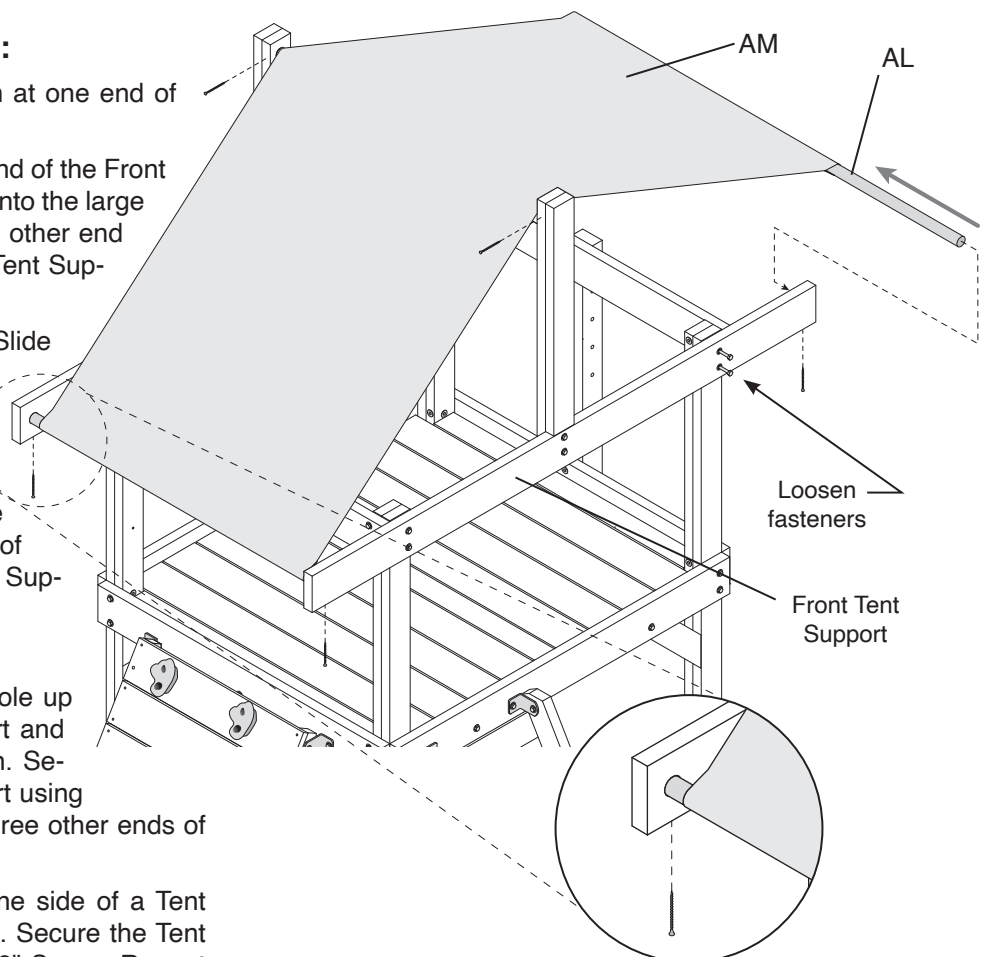
Drape the Tent over the center Tent Pipe. Slide the final Tent Pipe through the hem at the other end of the Tent.

Loosen the fasteners that secure the right end of the Front Tent Support. Fit one end of the Tent Pipe into the large hole in the back End Tent Support. Fit the other end of the Pipe into the hole in the front End Tent Support. Retighten the fasteners.

Straighten the Tent.

Use a 1/8" diameter drill to bore a pilot hole up through the bottom of a End Tent Support and one wall of the steel Tent Pipe, as shown. Secure the Tent Pipe to the End Tent Support using one #8 x 2-1/2" Screw. Repeat with the three other ends of the Tent Pipes.

Drill a 1/8" diameter pilot hole through one side of a Tent Post and one wall of the center Tent Pipe. Secure the Tent Pipe to the Tent Post using one #8 x 1-5/8" Screw. Repeat with the other Tent Post.

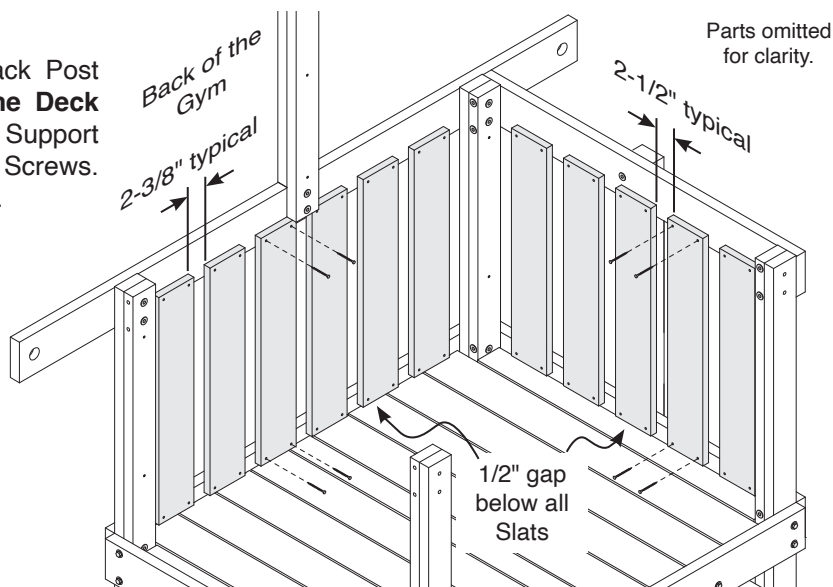


ASSEMBLY INSTRUCTIONS

STEP 24 – Side & Back Wall Slats:

Evenly space six Wall Slats (F) between the back Post Assemblies. **Hold the Wall Slats 1/2" above the Deck Boards.** Fasten each Wall Slat to the back End Tent Support and the back Platform End using four #8 x 1-5/8" Screws. The gap will be approximately 2-3/8" between slats.

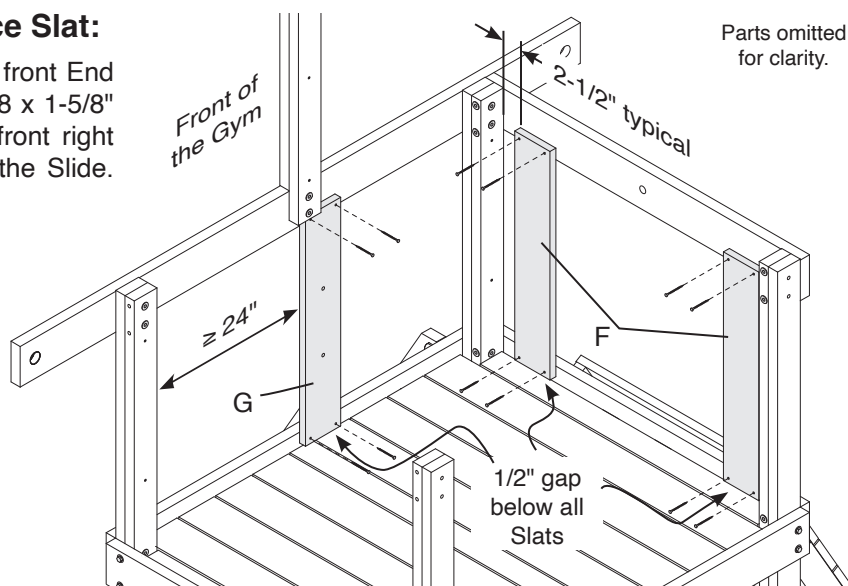
Evenly space five Wall Slats (F) between the Post Assemblies on the side of the gym with the Swing Mount. **Hold the Wall Slats 1/2" above the Deck Boards.** Fasten each Wall Slat to the Swing Platform Side and the Swing Wall Support using four #8 x 1-5/8" Screws. The gap will be approximately 2-1/2" between slats.



STEP 25 – Rock Wall Slats and Entrance Slat:

Fasten the Entrance Slat (G) to the inside of the front End Tent Support and front Platform End using four #8 x 1-5/8" Screws. Leave a minimum of 24" between the front right Corner Post and the Entrance Slat to allow for the Slide. **Hold the Slat 1/2" above the Deck Boards.**

Fasten one Wall Slat (F) to the inside of the front Rock Wall Support and Rock Platform Side using four #8 x 1-5/8" Screws. Leave a gap of 2-1/2" between the front left Post and the Wall Slat. **Hold the Slat 1/2" above the Deck Boards.** Repeat with another Wall Slat 2-1/2" from the back left Post

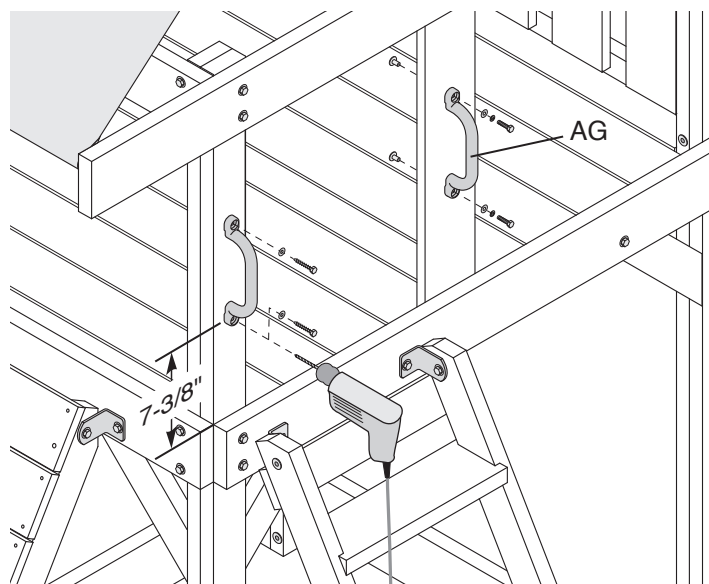


STEP 26 – Hand Grips:

Fasten one Hand Grip (AG) to each the Entrance Slat using two 1/4 x 1" Hex Bolt Assemblies (use 8mm Flat Washers).

Place one Hand Grip flat against the outside face of the left front Post as shown. The bottom hole of the Hand Grip should be approximately 7-3/8" above the top of the Platform End.

With the Hand Grip centered on the face of the Post, mark the positions of the holes in the Hand Grip. Drill 1/8" diameter pilot holes 1" deep at the marks. Fasten the Hand Grip using two 1/4" x 1-1/2" Lag Screws and two 8mm Flat Washers.



STEP 25 – Climbing Rope:

The Climbing Rope Assembly comes pre-knotted on approximately 12" centers. This is done to prevent the rope from separating and it provides a better grip. **DO NOT MODIFY THE DESIGN OF THIS ROPE. IF THE ROPE IS REPLACED, IT IS EXTREMELY IMPORTANT THAT YOU MAINTAIN THE SAME DESIGN AND CONSTRUCTION.**

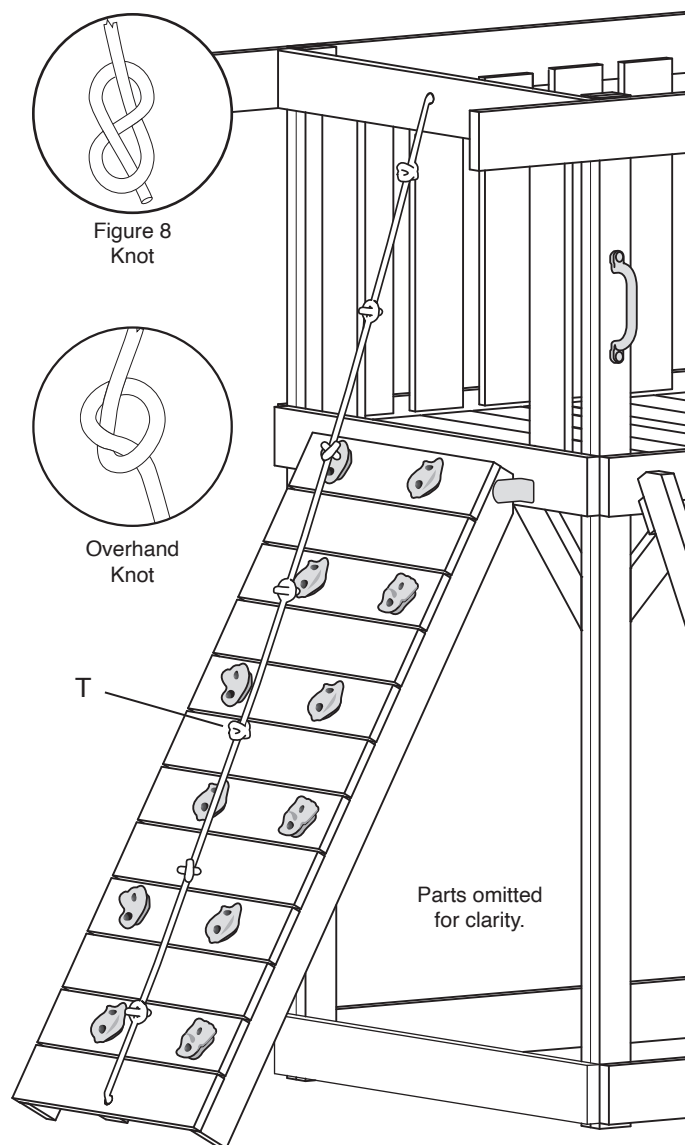
Insert the Climbing Rope (T) through the hole in the Rope Wall Support. Tie a figure eight knot at the end of the rope, inside the gym. Leave at least 2" of rope beyond the end of the knot.

Pre-stretch the rope before tying the bottom end. The bottom end of the Rope **MUST** pass through the hole in the Rope Board and Rope Bottom Support. Pull the Rope through the hole until it is tight and tie a knot in the end. A figure-eight knot is preferred, but an overhand knot can be used in the lower position.

Check the rope periodically to ensure that it has not loosened. Tighten the rope when necessary.

WARNING: AT NO TIME SHOULD THE BOTTOM END OF THE ROPE BE UNTIED OR LOOSE ENOUGH TO FORM A LOOP. THIS PRESENTS EXTREME DANGER TO YOUR CHILDREN.

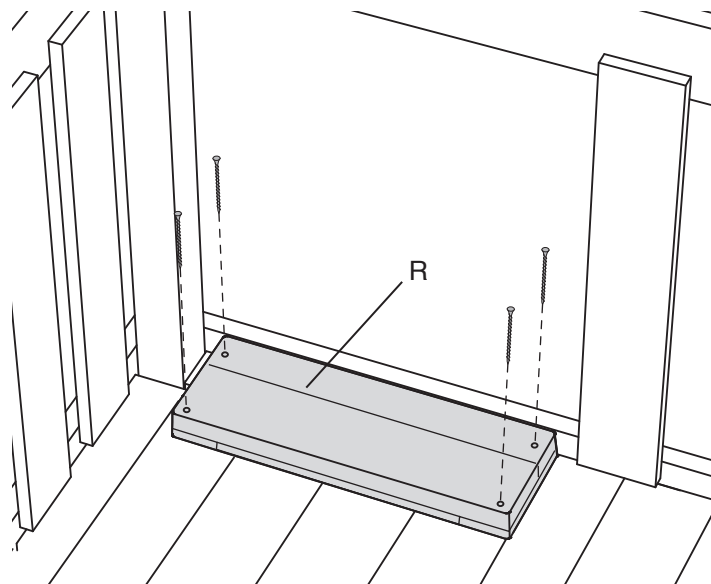
Important: Set the rails of the Rock Climber into the ground so the Rope fastens as close to the ground as possible.



STEP 26 – Slide Mount:

Place the Slide Mount (R) tight against the front support, centered on the opening left for the slide. Temporarily put the slide in place to determine whether to use the wide or narrow board closer to the platform support. Secure the Slide Mount to the Platform Boards using four #10 x 2-1/2" Flat Head Wood Screws.

Drive the screws until the heads are flush with the top of the Slide Mount. Do not over-tighten; over-tightening may cause the points of the screws to protrude through the bottom of the Platform Boards.



ASSEMBLY INSTRUCTIONS

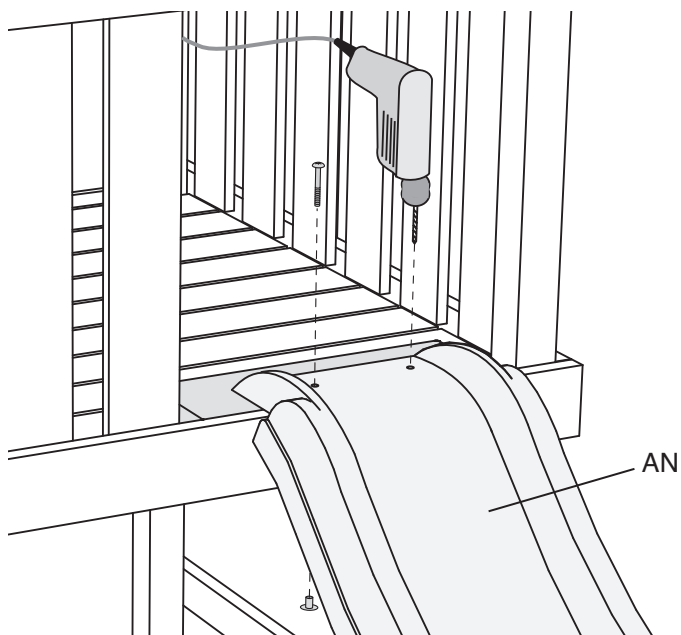
STEP 27 – Slide:

Position the Slide (AN) onto the Slide Mount through the opening prepared in earlier steps. Center the Slide in the opening and pull it tight to the platform until it stops against the edge of the front Platform End. Make sure the holes in the Slide are over the Slide Mount.

Ensure the Slide extends out perpendicular from the Playset.

Drill 5/16" holes through the Slide, Slide Mount, and Platform Boards using the holes in the Slide as a guide. Fasten the slide using one 1/4 x 3" Truss Head Bolt and one 1/4" Weld Nut for each hole.

Note: Depending on the Slide, you may find the holes you drill encounter a framing member. If so, stop drilling after piercing the Platform Board. Loosen the Platform Board and insert the Weld Nuts from the underside. If desired, a 1" spade drill bit can be used to clear a space for the base of the Weld Nut in the framing member. Re-attach the Platform Board and continue attaching the Slide.



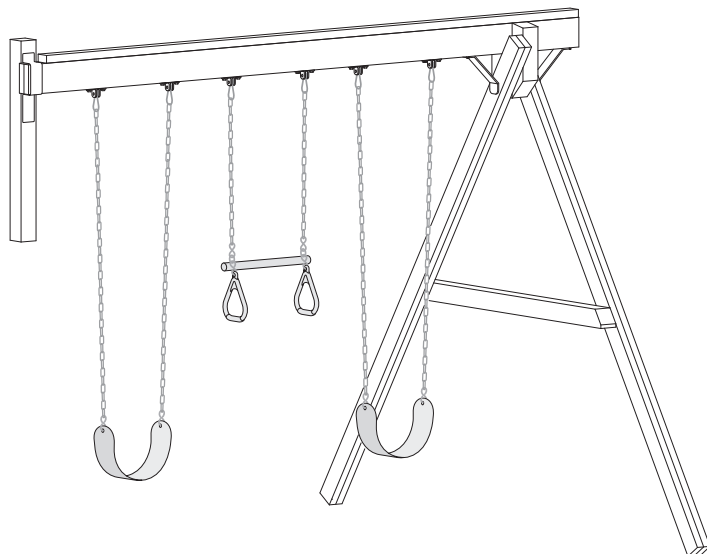
STEP 28 – Swing Beam & Swings:

Install the Swing Beam as instructed by the assembly guide included with the Beam.

Hang the Swings and Ring Trapeze in the positions shown at right.

U.S. safety standards require a minimum clearance of 8" from the bottom of each Swing Accessory to the ground. U.K. (& E.U.) safety standards require a minimum clearance of 350mm (13-3/4") between the bottom of each Swing Accessory and the ground.

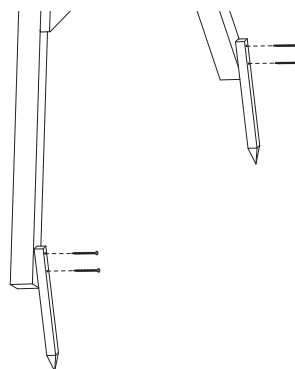
The height of each Swing Accessory is adjusted by using a different link in the chain. Be sure to hang the Swings Accessories with ground clearance greater than or equal to the safety standard for your region.



STEP 29 – Ground Stakes:

Hammer Ground Stakes next to the Beam Legs as shown. Secure each stake with two #8 x 2-1/2" Screws through the pre-drilled holes.

Note: Do NOT use concrete to set Ground Stakes. Pound a metal spike or rod into the ground to start a hole in hard or rocky ground.



Save all instruction sheets and receipts in case it becomes necessary to contact Creative Playthings for warranty service and/or part replacement. The warranty can be found in your Owner's Manual.