

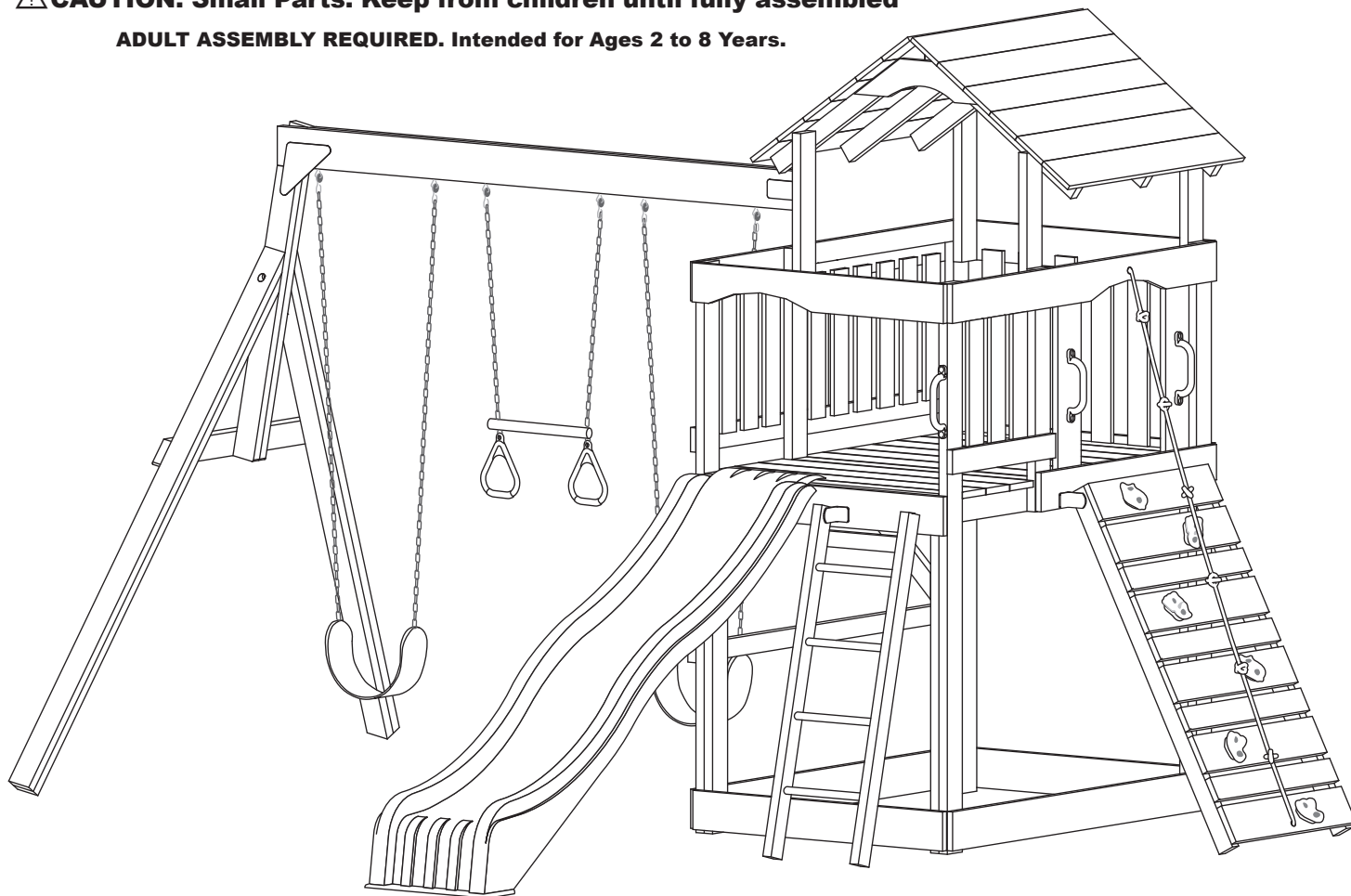
MODEL PS18EAS
ASSEMBLY MANUAL

Playtime™ swing Sets

By **Creative Playthings®**

⚠ CAUTION: Small Parts. Keep from children until fully assembled

ADULT ASSEMBLY REQUIRED. Intended for Ages 2 to 8 Years.



**If you have problems or questions about your Creative Playthings play set,
DO NOT CALL THE RETAILER.**

**Contact Creative Playthings Customer Service at 1-800-598-4997 or
customerservice@creativeplaythings.com**

**All hardware on this set is specially coated
for corrosion resistance.**

**If non-Creative Playthings hardware is used,
it must be galvanized or stainless steel.**

**This product is intended for single
family home/residential use only and
not intended for use in any public
setting. Placement in any public
setting constitutes a misuse of this
product.**

**Please read the owner's manual before the
assembly of your Play Set. it provides additional
information on the care and use of your Play Set.**

**You must carefully read the entire instruction man-
ual before proceeding with the assembly or use
of your new Play Set.**

**Creative Playthings takes great care to design its
products with your child's safety in mind. How-
ever, only with careful supervision and proper
safety instructions, can you be assured of safe
play time on any product designed for children.**

**Save these instructions for reference in case you
need to contact customer service.**

PLAY SET SAFETY

FOR SAFETY SAKE, PLEASE TAKE TIME TO READ ALL INSTRUCTIONS COMPLETELY AND CAUTION YOUR CHILDREN APPROPRIATELY.

Observing the following statements & warnings reduces the likelihood of serious or fatal injury:

- Children should use equipment only in its intended manner.
- Children should not wear loose or stringed clothing while using playground equipment.
- Children should not play on equipment in wet weather conditions due to potentially slippery surfaces.
- Children should NOT walk too closely in front of, behind, or between moving swings and trapezes.
- Children should NOT swing empty swing seats.
- Children should NOT jump off swings and/or trapeze while they are in motion.
- Children should NOT twist swing chains because this will reduce the strength of the chains.
- Children should sit in the center of the swings with their full weight on the seats.
- Children should NOT be on the top surface of the swing beam.
- Children should NOT use the equipment in a manner other than intended.
- Children should NOT get off the equipment while it is in motion.
- On-site adult supervision is required at all times for children of all ages.
- Until assembly is complete, DO NOT let your children use the Play Set.
- Never fasten anything not approved by Creative Playthings to your Play Set. Accessories or items not approved by Creative Playthings include; Dog runs, clothes lines, electrical devices, or bird feeders etc.
- Suspended ropes, chains, and cables must be secured at both ends.
- Suspended ropes, chains, and cables must not be capable of looping back on themselves.
- Do not allow more than 120 lbs. on Single occupancy swing accessories such as the Sling Swing and Trapeze.
- Do NOT allow more than 175 lbs. on multiple use swing accessories such as the Back-to-Back Plastic Glider.
- Do NOT allow more children on the Play Set than can simultaneously use all the swing stations at one time.
- Children MUST NEVER wear bicycle helmets while playing on the play-set.

Assembly Safety:

- Adult assembly required
- Face slide away from the sun.
- Keep the work area clean and clear of obstructions.
- Children should stay out of the work area until the safe play area is cleared of obstacles, the Play Set has been completely assembled, all hardware has been tightened and checked, and all tools have been picked up.
- Keep children off the Play Set until it has been completely assembled.
- Parts of the assembly process may require help from another competent adult.
- Do not stand on the platform until the Play Set has been completely assembled, use a step ladder if you can not reach high enough.
- Follow the manufacturers' safety recommendations for the tools and equipment you use.
- Avoid assembling your Play Set in poor weather conditions.
- Wear proper clothing and safety equipment (safety glasses, boots, and gloves) while assembling your Play Set.

SAFE PLAY AREA

SELECTING THE CORRECT LOCATION FOR YOUR PLAY PRODUCT IS IMPORTANT FOR YOUR CHILDREN'S SAFETY AND THE PRODUCT'S LONGEVITY.

Play Set Dimensions:

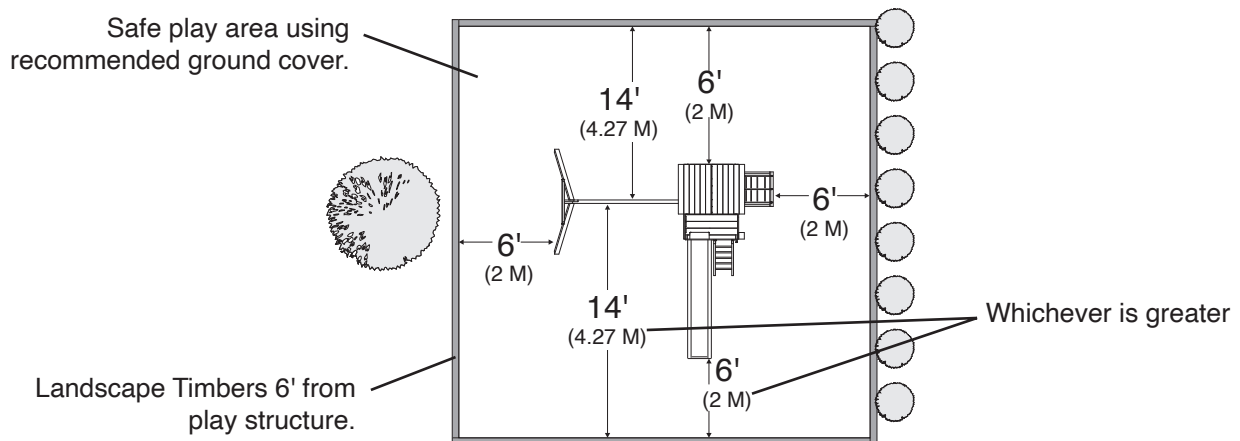
- The MODEL PS18EAS Play Set has ground dimensions of 14'-10" x 12'-4".
- The MODEL PS18EAS Play Set requires a level ground surface of 26'-10" x 29'-0" for a Safe Play Area.
- Additional accessories may increase the size of the Safe Play Area.
- The maximum fall height for your MODEL PS18EAS is 87" as measured from the top of the swing beam.

Safe Play Area:

- The Safe Play Area refers to a zone extending 6' (2 meters) beyond the Play Set on all sides, including the slide and the space above the Play Set. Because children may deliberately jump from a moving swing, the Safe Play Area must be extended to 14' (4.27 meters) in front of and behind a swinging Accessory.
- The ground surface must be level. Installing your Play Set on sloping ground can cause it to lean or "rack". This leaning puts additional stress on all connections and joints and in time will cause those connections to loosen and fail.
- The Safe Play Area must be free of all structures, landscaping, trees and branches, rocks, wires, and other obstacles to safe play. Children can be seriously injured running, or swinging into these obstacles.
- Remove all tripping hazards from the Safe Play Area. Tripping hazards include; roots, stumps, rocks, landscaping, sprinkler heads, railroad ties, plumbing and electrical connections.
- Do not install your Play Set over concrete, gravel, asphalt, packed earth, or any other hard surface. The following is a list of recommended ground covers from the Consumer Product Safety Commission.

RECOMMENDED GROUND COVER	
Suggested Material	Uncompressed Depth
Double Shredded Bark Mulch	9"
Uniform Wood Chips	12"
Fine Gravel	12"
Fine Sand	12"

- Any edging used to contain the ground cover must be beyond the Safe Play Area. (i.e. Landscape Timbers)



A FALL ONTO A HARD SURFACE COULD RESULT IN SERIOUS INJURY.

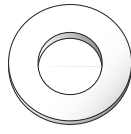
HARDWARE BAG CONTENTS

Illustrations are representative of hardware.
Slight variation of appearance may occur.

ASSEMBLY HARDWARE:



1/4" Flat Washer

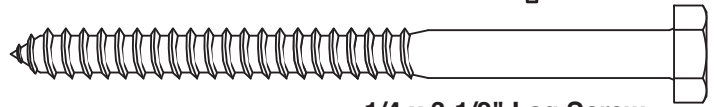


8mm Flat Washer

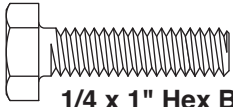
1/4" Lock Washer



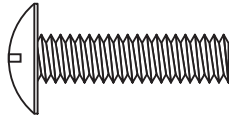
1/4" Weld Nut



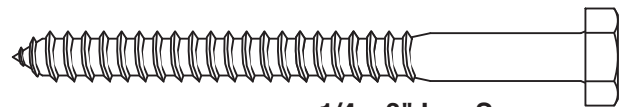
1/4 x 3-1/2" Lag Screw



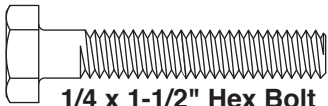
1/4 x 1" Hex Bolt



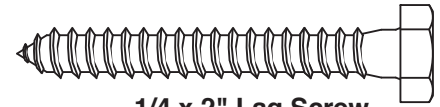
1/4 x 1" Truss Head Bolt



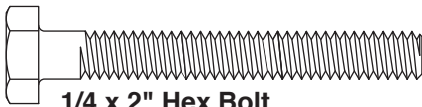
1/4 x 3" Lag Screw



1/4 x 1-1/2" Hex Bolt



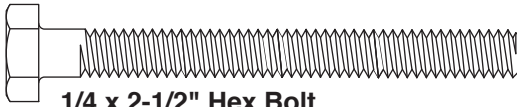
1/4 x 2" Lag Screw



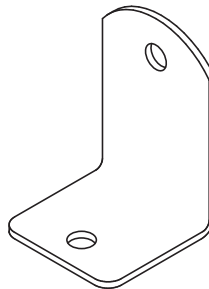
1/4 x 2" Hex Bolt



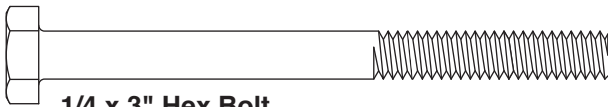
1/4 x 1-1/2" Lag Screw



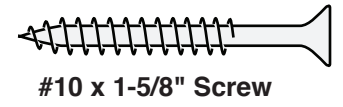
1/4 x 2-1/2" Hex Bolt



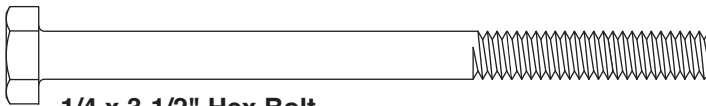
Access Bracket
(Not to Scale)



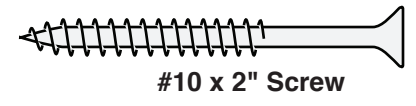
1/4 x 3" Hex Bolt



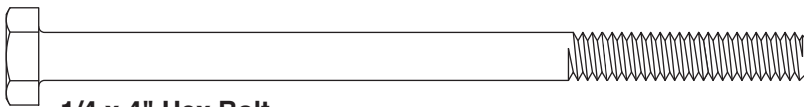
#10 x 1-5/8" Screw



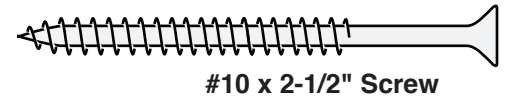
1/4 x 3-1/2" Hex Bolt



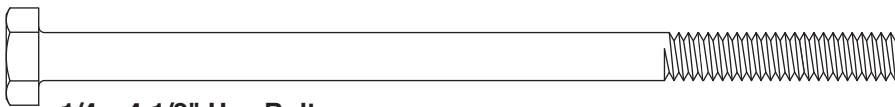
#10 x 2" Screw



1/4 x 4" Hex Bolt



#10 x 2-1/2" Screw



1/4 x 4-1/2" Hex Bolt



#10 x 1-1/2" Self-Drill Screw

50568-701 PT Hardware

89	17001-104	Weld Nut 1/4"	3	17119-409	Truss Head Bolt 1/4 x 1"
12	12002-203	Flat Washer 8MM	2	17036-601	Lag Screw 1/4 x 1-1/2"
112	12002-205	Flat Washer 1/4"	31	17036-801	Lag Screw 1/4 x 2"
85	12017-205	Lock Washer 1/4"	6	17036-1201	Lag Screw 1/4 x 3"
8	17120-502	Self-Drill Screw #10 x 1-1/2"	2	17036-1401	Lag Screw 1/4 x 3-1/2"
8	17003-409	Hex Bolt 1/4 x 1"	4	14161-400	Access Bracket, Green
16	17003-609	Hex Bolt 1/4 x 1-1/2"			
15	17003-809	Hex Bolt 1/4 x 2"			
12	17003-1209	Hex Bolt 1/4 x 3"			
18	17003-1409	Hex Bolt 1/4 x 3-1/2"			
12	17003-1609	Hex Bolt 1/4 x 4"			
4	17003-1809	Hex Bolt 1/4 x 4-1/2"			

50568-702 PT Screws

186	17020-115	Screw #10 x 1-5/8"
44	17020-107	Screw #10 x 2"
4	17020-113	Screw #10 x 2-1/2"

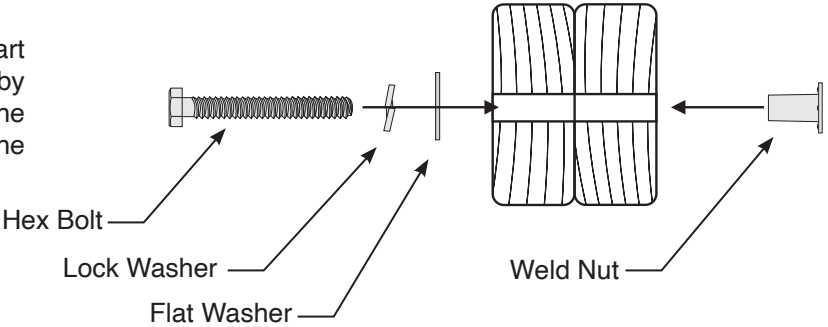
More hardware is included than is required for assembly.

CREATIVE PLAYTHINGS PLAY SETS USE A FEW STANDARD CONNECTIONS. BECOMING FAMILIAR WITH THESE CONNECTIONS WILL SIMPLIFY ASSEMBLY AND INSURE A SAFER PLAY PRODUCT FOR YOUR CHILDREN.

Hex Bolt & Weld Nut Assembly Procedure:

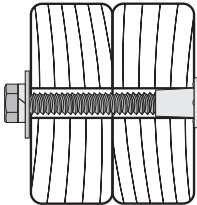
Assembly Layout:

Align the holes in the parts to be fastened. Start preliminary tightening of bolt into weld nut by hand. Tighten each bolt with a wrench until the lock washer is fully compressed between the head of the bolt and the flat washer.



Correct Assembly:

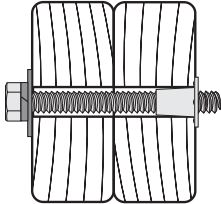
Bolt has been screwed securely into weld nut and the connection is tight. Check connections periodically for tightness during the life of the Play Set. **Do not over tighten.**



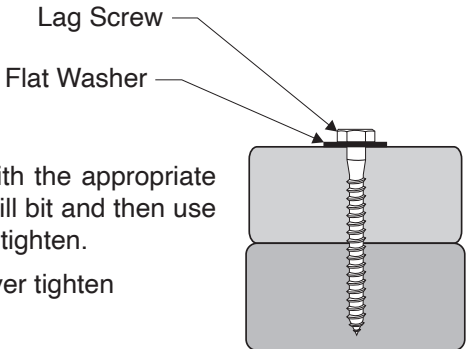
Incorrect Assembly:

If during assembly or maintenance the bolt protrudes 1/8" past the weld nut, use additional flat washers, call customer service or replace the bolt at a local hardware store. You may be over-tightening or using the wrong size bolt.

Failure to replace this bolt with a shorter one could result in serious injury.



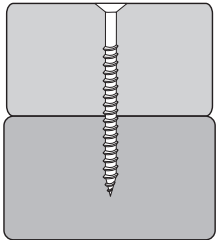
Typical Installation - Lag Screws:



- Pilot drill with the appropriate diameter drill bit and then use a socket to tighten.
- DO NOT over tighten

Typical Installation - Wood Screws:

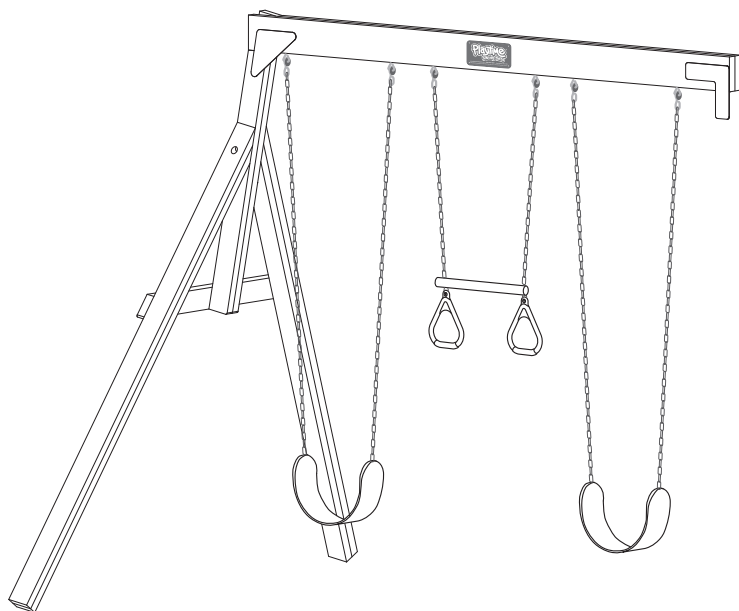
- Use an electric drill or screw gun to drive screws.
- Drill 1/8" pilot holes where required.
- We recommend that you lubricate the threads of the screws with beeswax or soap to ease installation and minimize breaking screws.
- **It is very important to make certain that the tops of all screws are flush with the surface of the wood and there are no protruding sharp edges.**



PLAY SET VIEW



Items Packaged Separately:



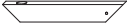




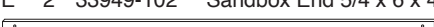
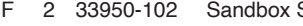
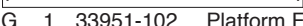
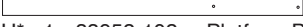



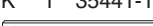




60081-102 Playtime Swing Beam
 AA934-204 2 Swings, 1 Trapeze*
 (2 Sling Swings & 1 Ring Trapeze)
 8515-202 8 Ft. Wave Slide, Green

*Alternative swing features may be included with your set. Use the instructions packed with the swing equipment for assembly.






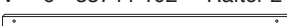
Take inventory of all parts, making sure nothing is missing or defective. If you find that parts are missing or defective call the Creative Playthings Customer Service Department at 1-800-598-4997.

COMPONENT VIEW

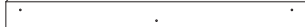

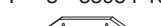
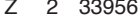


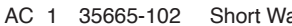
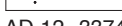
BOX 1 - 60083-351

-  A 4 32561-102 Angle Brace 2 x 3 x 17-1/4"
-  B 2 35663-102 Mid Post 2 x 4 x 32-1/2"
-  C 1 33760-102 Platform Right 2 x 4 x 59-3/8"
-  D* 1 33761-102 Platform Left 2 x 4 x 59-3/8"
-  E 2 33949-102 Sandbox End 5/4 x 6 x 41-1/4"
-  F 2 33950-102 Sandbox Side 5/4 x 6 x 59-1/2"
-  G 1 33951-102 Platform Front 5/4 x 6 x 41-1/2"
-  H* 1 33952-102 Platform Back 5/4 x 6 x 41-1/2"
-  I 1 33955-102 End Support 5/4 x 6 x 41-1/2"
-  J 1 33968-102 Front Arch 5/4 x 6 x 41-1/2"
-  K 1 35441-102 Left Wall Support 5/4 x 6 x 59-1/2"
-  L 1 35442-102 Right Top Support 5/4 x 6 x 59-1/2"
-  M 4 35443-102 Roof Upright 2 x 4 x 20-3/4"
-  N 1 40653-102 Post, Back Left
-  O 1 40654-102 Post, Back Right
-  P 1 40655-102 Post, Front Left
-  Q 1 40656-102 Post, Front Right
- 1 50568-701 PT Hardware Bag
- 1 50568-902 PT Screw Bag
- 1 50540-305 Instruction Pack, Eastport

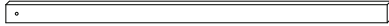


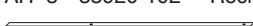
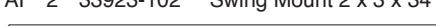
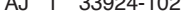
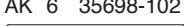
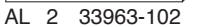
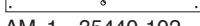
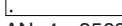



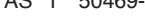
BOX 2 - 60083-352

-  R 1 33702-102 Ladder Rail Left 2 x 3 x 47-1/2"
-  S 1 33703-102 Ladder Rail Right 2 x 3 x 47-1/2"
-  T* 1 33732-102 Stringer 2 x 3 x 59-1/2"
-  U* 1 35696-102 Ceiling Joist 5/4 x 4 x 14-5/8"
-  V 6 33744-102 Rafter 2 x 3 x 31"
-  W 1 33922-102 Rock Wall Mount 5/4 x 6 x 39-1/2"

BOX 2 (CONT'D)

-  X 9 33953-102 Deck Board 5/4 x 6 x 41-1/2"
-  Y 3 33954-102 Narrow Deck Board 5/4 x 4 x 38-5/8"
-  Z 2 33956-102 End Joist 5/4 x 6 x 22"
-  AA 1 33973-102 Ladder Slat 5/4 x 4 x 15-3/4"
-  AB 1 35664-102 Lower Wall Supp. 5/4 x 4 x 59-1/2"
-  AC 1 35665-102 Short Wall Supp. 5/4 x 4 x 23-1/4"
-  AD 12 33745-402 Roof Board 1 x 6 x 39-1/2"
-  AE 4 14202-400 1" Dia. X 15" Rung, Green

BOX 3 - 60083-353

-  AF 2 32526-102 Climber Upright 2 x 3 x 52-3/4"
-  AG 12 35695-102 Short Wall Slat 5/4 x 4 x 19-1/2"
-  AH 5 33920-102 Rock Board 5/4 x 6 x 27"
-  AI* 2 33923-102 Swing Mount 2 x 3 x 34"
-  AJ 1 33924-102 Safety Rail 2 x 3 x 59-3/8"
-  AK 6 35698-102 Narrow Wall Slat 5/4 x 4 x 24-1/2"
-  AL 2 33963-102 Entrance Slat 5/4 x 6 x 24-1/2"
-  AM 1 35440-102 Rock & Rope Board 5/4 x 6 x 27"
-  AN 4 35689-102 Narrow Spacer 5/4 x 4 x 27"
-  AO 3 15034-100 Hand Grips
-  AP 1 18008-138 Climbing Rope
-  AQ* 5 36515-102 Ground Stake
-  AR 1 50428-400 Climbing Rocks (6)
-  AS 1 50469-100 Small CP Name Plate Pack

AT 1 8515-202 8 Ft. Wave Slide, Green

* Not marked on Play Set View page.

MAINTENANCE INSTRUCTIONS

**YOUR CREATIVE PLAYTHINGS PLAY SET IS STAINED AT OUR FACTORY.
STAINING IS NOT NEEDED AT THE TIME OF INITIAL ASSEMBLY.**

Re-staining Information:

- Pigmented, exterior, water repellent stains are recommended and will provide an excellent barrier against moisture without hiding the natural wood grain or leaving a film that may later crack or peel.
- We recommend that you apply stain according to the instructions and precautions recommended by the stain manufacturer.
- It should take three or more quarts to cover your set.
- Contact your local dealer or call Creative Playthings for our staining products.
- All rungs are pre-finished at the factory and do not require any finishing at the time of initial assembly.
- Do not paint, or varnish rungs or steps.
- Avoid using finishes that create slippery surfaces.

Maintenance:

- Wooden playground equipment will last for years with proper maintenance. Maintenance of the Play Set finish will vary depending on weather and climate.
- As a safety precaution, check all hardware, such as nuts and bolts, for tightness twice a month during use and at the beginning of each play season. Tighten as required and specified in these instructions. Do not over-tighten.
- Check structure twice monthly during usage for any evidence of deterioration. If upon inspection, hardware has sharp edges, rusted or structural pieces have signs of premature failure; replace them through Creative Playthings Customer Service.
- Oil all metallic moving parts monthly during the usage season.
- The swings, trapeze, tent, rope ladders, and any other removable plastic accessories should be removed and taken indoors when outside temperatures drop below 32° F (0° C).
- Wood will expand and contract as it adjusts to temperature changes and varying moisture conditions. Checks or cracks are a natural characteristic of all wood and will not affect the strength or durability of the wooden components.
- To maintain the finish of your set, a light sanding and an application of an exterior stain will repair scratches and prevent wood from aging prematurely.
- Finishes applied to ladder rungs must not create a slippery surface. Never varnish.
- The wood parts of your Play Set should never be disposed of by burning.
- Dispose of all parts so as not to create a hazard.
- "Check all coverings for bolts and sharp edges and replace when required."
- "Check swing seats, chains, ropes, and other means of attachments for evidence of deterioration". Replace through Creative Playthings Customer Service.
- Twice a month during play season rake and check depth of loose fill protective surfacing materials to prevent compaction and to maintain appropriate depth. Replace as necessary.

Tools & Materials Suggested for Finishing & Assembly:

- Claw Hammer
- Carpenter's Level
- Box Wrench or Sockets (7/16" & 1/2")
- Electric Drill
- 1/8", 3/16", 5/16" diameter Drill Bits
- Screwdriver or driver drill (Medium Phillips)
- Locking Pliers
- 10 ft. Tape Measure
- Framing Square
- 6 ft. Step Ladder

ASSEMBLY INSTRUCTIONS

The parts required to start assembly are in box 1, subsequent parts are in box 2 and box 3.

STEP 1 — Assemble Posts:

Locate Back Left Post (N), Back Right Post (O), Front Left Post (P), and Front Right Post (Q).

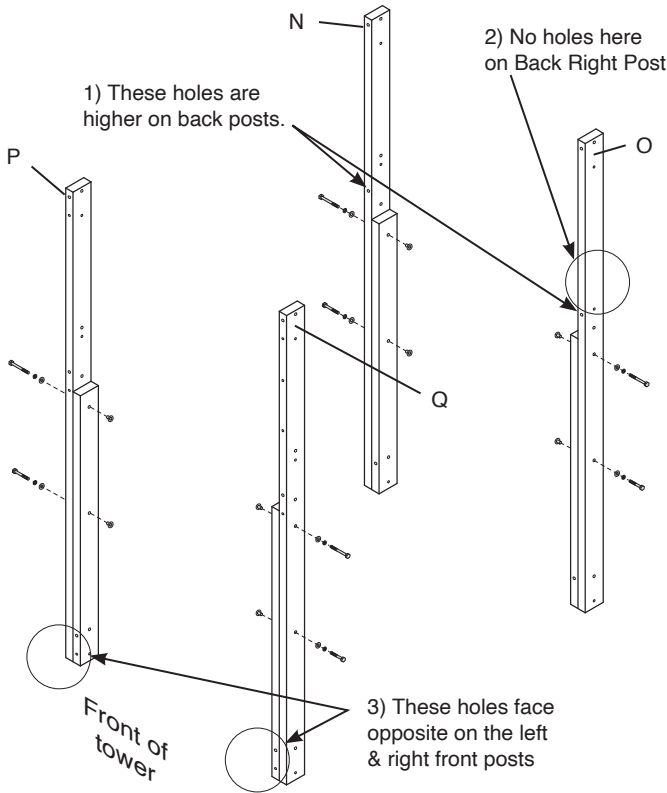
Secure each post using two 1/4 x 3" Hex Bolt Assemblies through the three central holes as shown at left. If the tip of a Hex Bolt protrudes, add a second Flat Washer next to the first.

Hint: The posts can be difficult to tell apart. There are three clues at left.

- 1) The holes for the Platform Ends are higher on the back Posts.
- 2) There are no holes for a Lower Wall Support on the Back Right Post.
- 3) Look at the holes on the narrow edge of the post to tell the Left Front Post from the Right Front Post.

Hex Bolt Assembly:

Throughout this guide a Hex Bolt Assembly consists of one Hex Bolt, one Lock Washer, one Flat Washer and one Weld Nut.

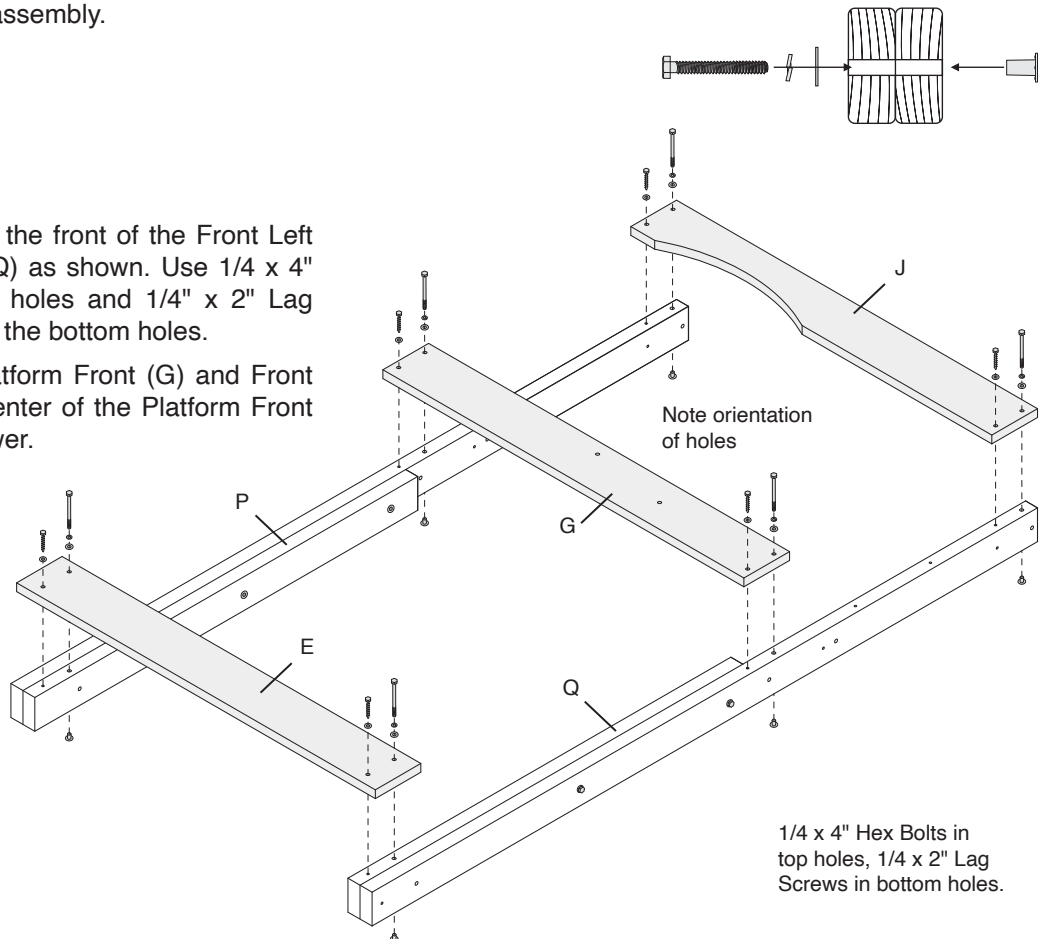


The posts are shown in the positions they will be in the final assembly.

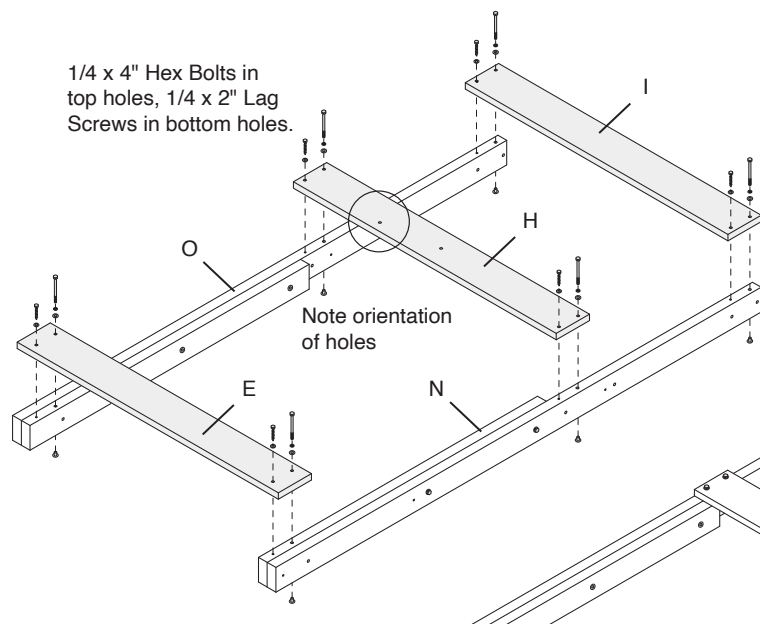
STEP 2 — Front of Tower:

Fasten one Sandbox End (E) to the front of the Front Left Post (P) and Front Right Post (Q) as shown. Use 1/4 x 4" Hex Bolt Assemblies in the top holes and 1/4" x 2" Lag Screws with 1/4" Flat Washers in the bottom holes.

Repeat the process with the Platform Front (G) and Front Arch (J). Align the hole at the center of the Platform Front closer to the upper end of the tower.



ASSEMBLY INSTRUCTIONS



STEP 3 — Back of Tower:

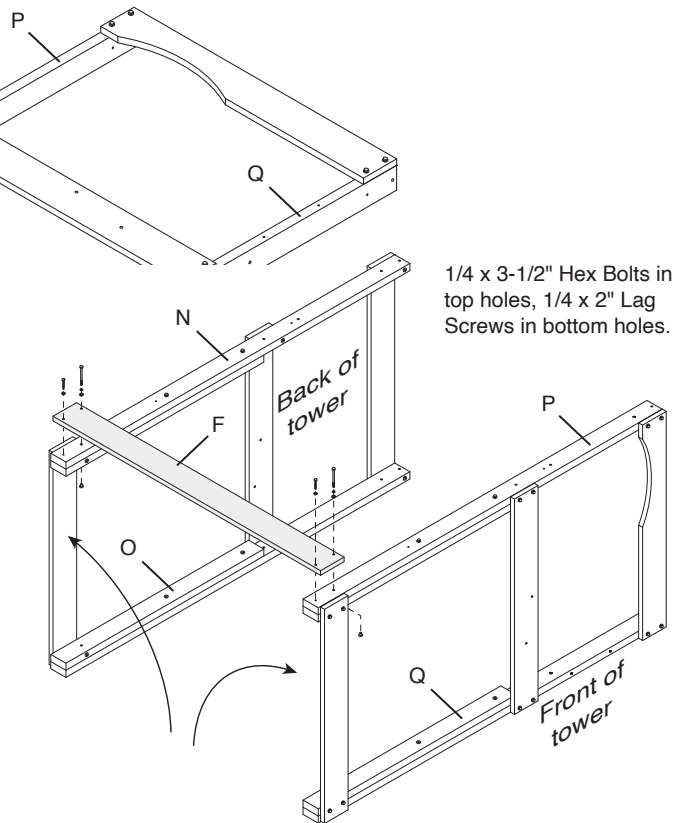
Fasten one Sandbox End (E) to the front of the Back Left Post (N) and Back Right Post (O) as shown. Use 1/4 x 4" Hex Bolt Assemblies in the top holes and 1/4" x 2" Lag Screws with 1/4" Flat Washers in the bottom holes.

Repeat the process with the Platform Back (H) and End Support (I). Align the hole circled in the illustration closer to the bottom end of the tower.

STEP 4 — Left Sandbox Side:

Arrange the back tower assembly and front tower assembly next to each other on edge as shown at right.

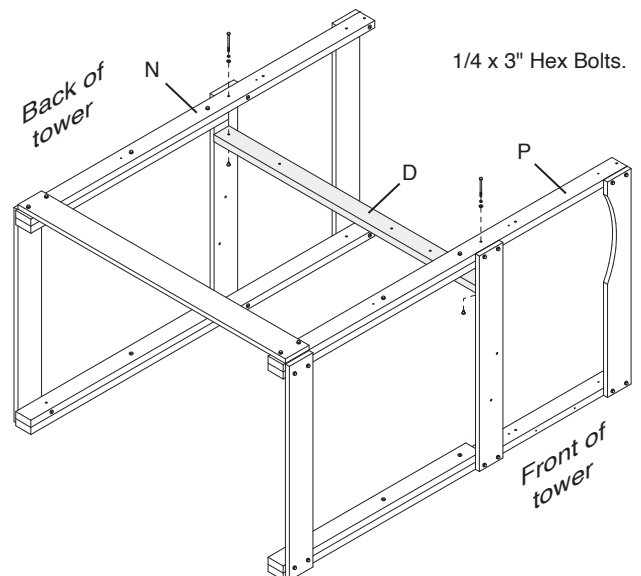
Fasten one Sandbox Side (F) to the Front Left and Back Left Posts as shown at right. Use 1/4 x 3-1/2" Hex Bolt Assemblies in the top holes and 1/4" x 2" Lag Screws with 1/4" Flat Washers in the bottom holes.



1/4 x 3-1/2" Hex Bolts in top holes, 1/4 x 2" Lag Screws in bottom holes.

STEP 5 — Left Platform Side:

Fasten the Platform Left (D) to the Back Left Post and Front Left Post in the orientation shown using 1/4 x 3" Hex Bolt Assemblies. Note the hole positions along the board.

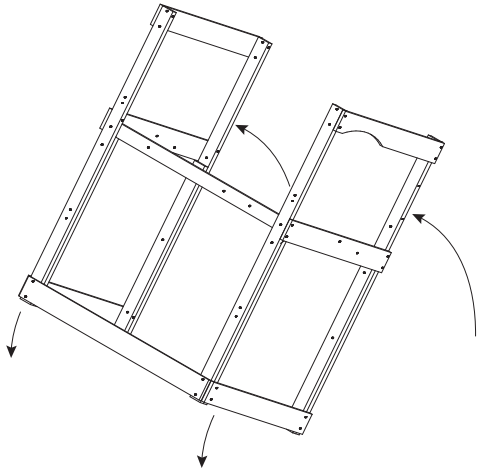


1/4 x 3" Hex Bolts.

ASSEMBLY INSTRUCTIONS

STEP 6 — Raise the Tower:

Lift the top of the tower and walk it up until it stands vertical on the base.

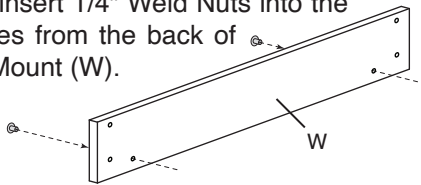


STEP 7 — Platform and Sandbox Side:

Fasten one Sandbox Side (F) near the base of the Front Right and Back Right Posts as shown at right. Use 1/4 x 3-1/2" Hex Bolt Assemblies in the top holes and 1/4" x 2" Lag Screws with 1/4" Flat Washers in the bottom holes.

Fasten the Platform Right (C) to the Front Right Post using one 1/4 x 3" Hex Bolt Assembly. Rest the other end of the Platform Side on the Back Right Post with the holes aligned as shown.

Before Step 8, insert 1/4" Weld Nuts into the two central holes from the back of the Rock Wall Mount (W).



STEP 8 — Midposts & Rock Wall Mount:

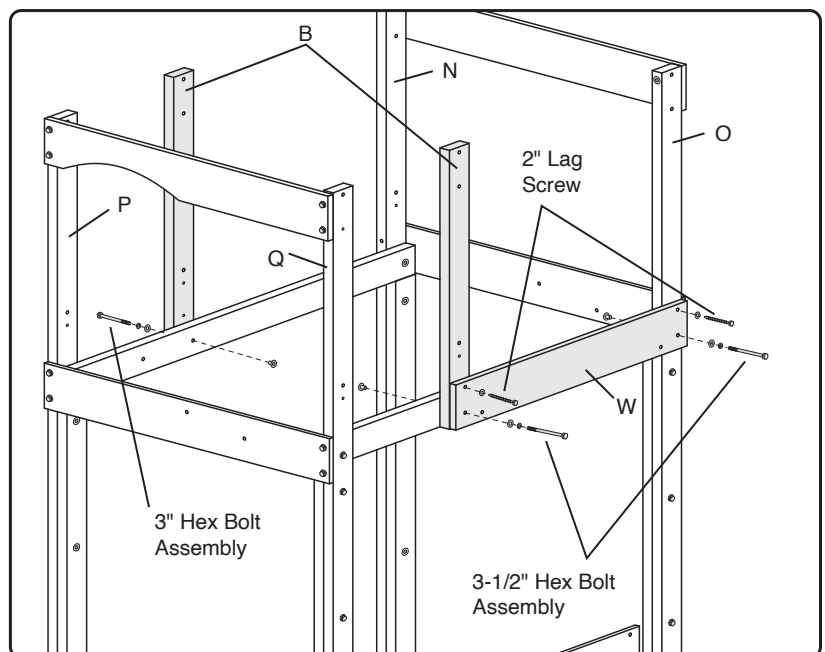
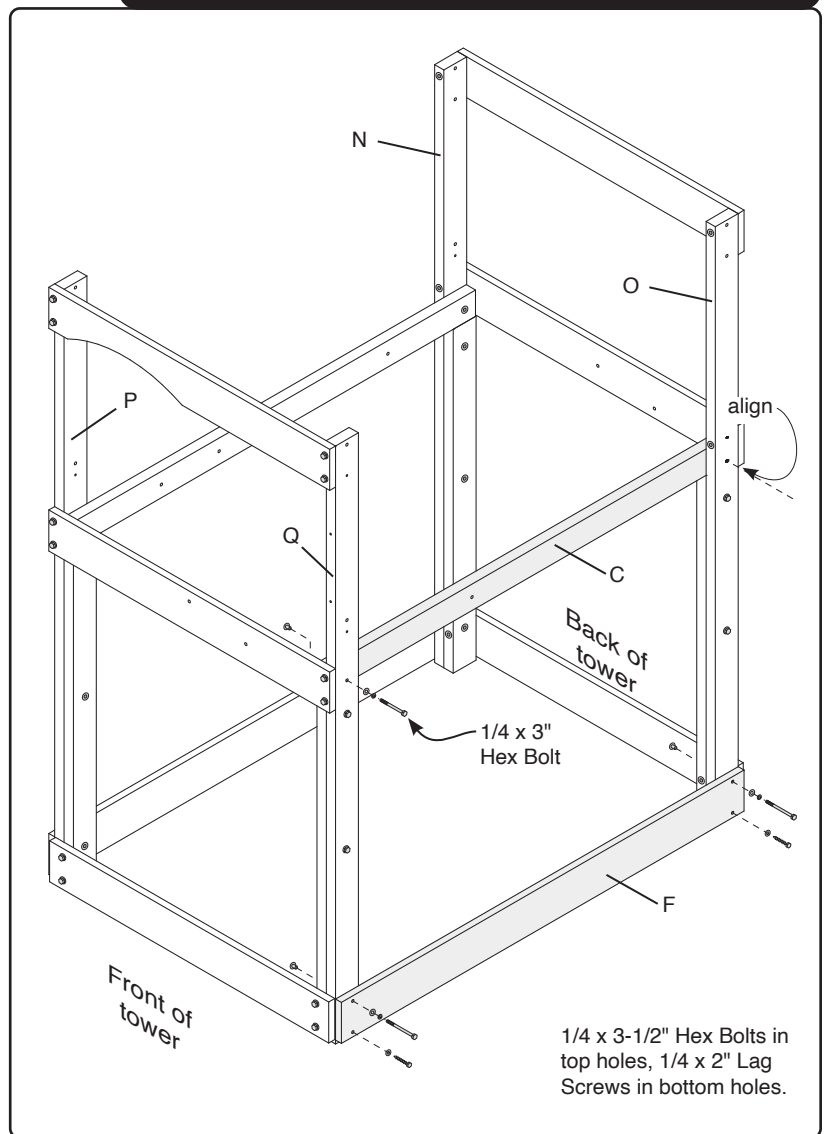
Align one Midpost (B) as shown at right. Fasten it to the Platform Left using one 1/4 x 3" Hex Bolt Assembly.

Fasten the Rock Wall Mount (W) to the Back Right Post and the Platform Right using one 1/4 x 3-1/2" Hex Bolt Assembly in the lower right hole.

Fasten the other end of the Rock Wall Mount to the right Midpost (B) and the Platform Right using one 1/4 x 3-1/2" Hex Bolt Assembly in the lower left hole.

Fasten one 1/4 x 2" Lag Screw and Flat Washer through the top right hole of the Rock Wall Mount and into the Back Right Post

Use a level to assure the right Midpost is plumb. Secure using one 1/4 x 2" Lag Screw and Flat Washer.



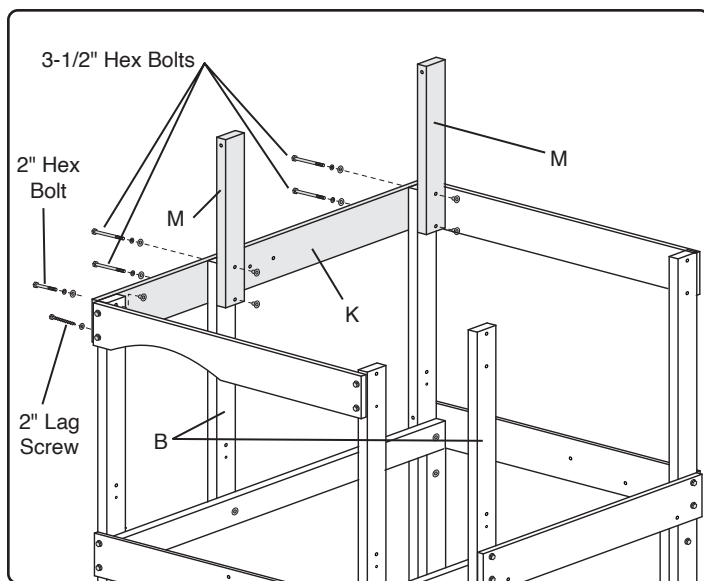
ASSEMBLY INSTRUCTIONS

STEP 9 — Left Wall Support & Roof Uprights:

Orient the Left Wall Support (K) as shown at right. Fasten the Left Wall Support to the Left Front Post using a 1/4 x 2" Hex Bolt Assembly through the top hole and a 1/4 x 2" Lag Screw with Flat Washer in the bottom hole.

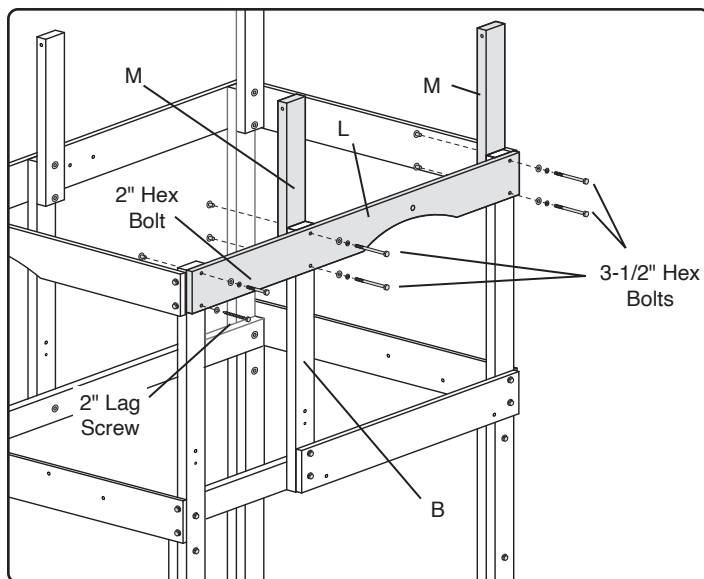
Fasten the Left Wall Support to the Back Left Post and one Roof Upright (M) using two 1/4 x 3-1/2" Hex Bolt Assemblies as shown.

Fasten the Left Wall Support to the left Midpost and one Roof Upright (M) using two 1/4 x 3-1/2" Hex Bolt Assemblies as shown.



STEP 10 — Right Wall Support & Roof Uprights:

Secure the Right Wall Support (L) to the Front Right Post, then the Back Left Post and Roof Upright (M), then the Midpost and Roof Upright (M) as in the previous step.



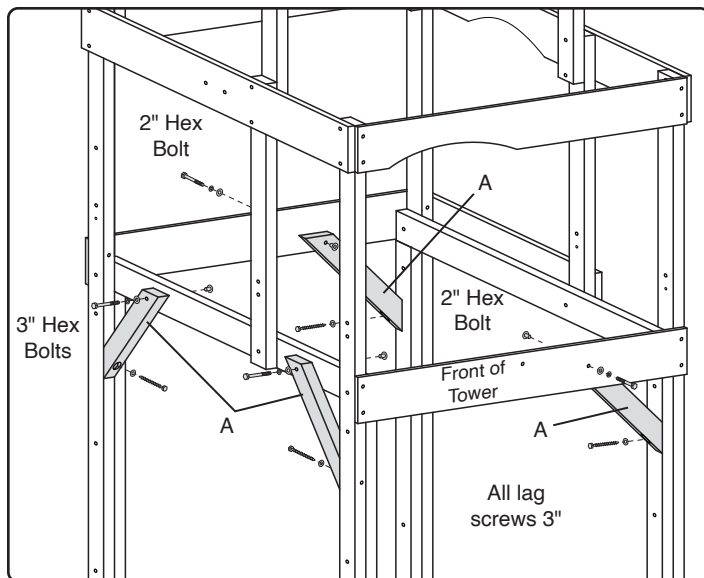
STEP 11 — Angle Braces:

Ensure the structure is in the place it will be used. Make any needed ground adjustments before proceeding.

Use a level to determine that all horizontals are level and posts are plumb. Make sure the tower stands solidly on the ground.

Fasten two Angle Braces (A) to the Platform Left using two 1/4 x 3" Hex Bolt Assemblies as shown. Fasten the bottom of the braces to the adjacent posts using 1/4 x 3" Lag Screws with Flat Washers. **Be sure to drill 3/16" diameter pilot holes in the posts before using the Lag Screws.**

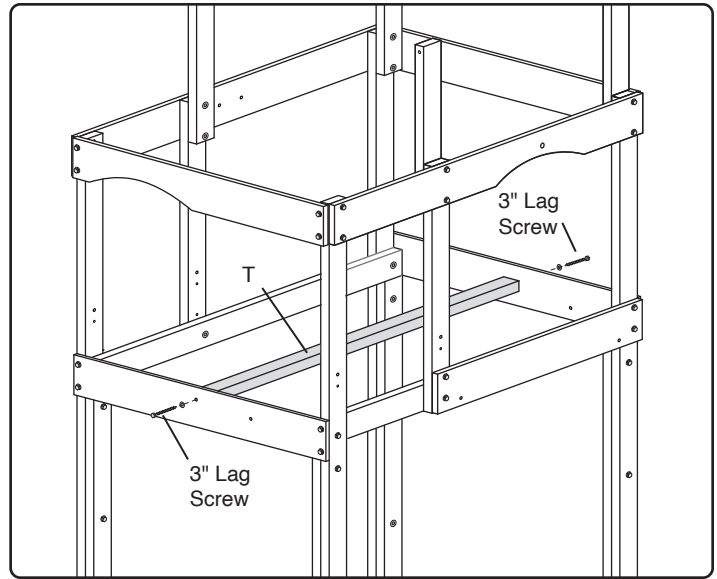
Fasten two Angle Braces (A) to the front and back of the lower platform using two 1/4 x 2" Hex Bolt Assemblies as shown. Fasten the bottom of the braces to the adjacent posts using 1/4 x 3" Lag Screws with Flat Washers. **Be sure to drill 3/16" diameter pilot holes before using the Lag Screws.**



ASSEMBLY INSTRUCTIONS

STEP 12 — Stringer:

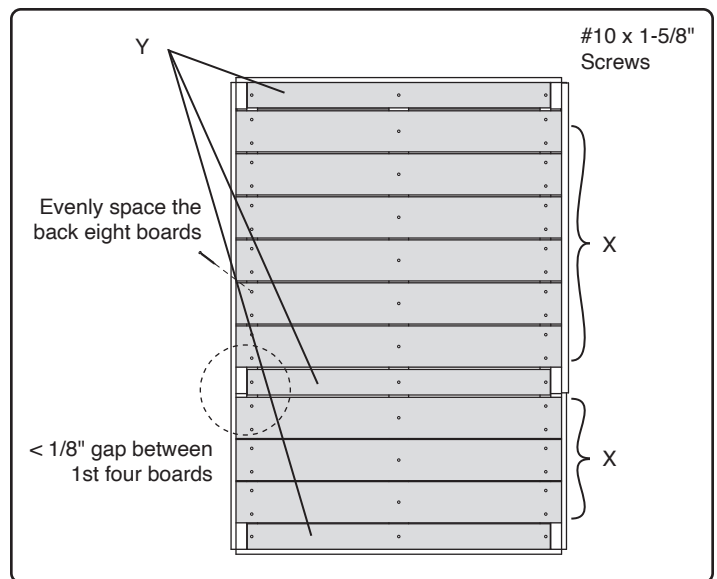
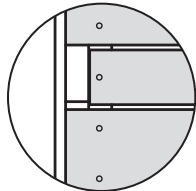
Fasten the Stringer (T) to the Platform Front and Platform Back using two 1/4 x 3" Lag Screws and Flat Washers as shown.



STEP 13 — Deck Boards:

Locate the nine Deck Boards (X) and three Narrow Deck Boards (Y). Lay them across the platform supports and stringer in the arrangement shown at right. Align the ends of the Deck Boards. The Narrow Deck Boards fit between the uprights.

Starting at the front of the gym fasten each board using #10 x 1-5/8" Screws. For the first four boards, leave a gap of 1/8" or less to limit the possibility of clothing being snagged when children use the slide. Space the rest of the boards evenly. **Note that the Narrow Deck Board between the Midposts need not align exactly with the Midposts.**

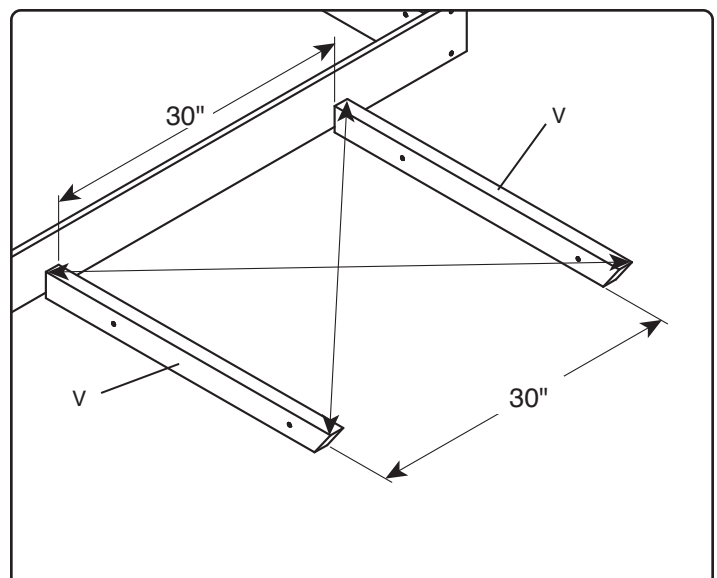


STEP 14 — Assemble Roof Panels:

Assembly of the Roof Panels will be easiest on a work table or other flat surface.

Lay Out Roof Rafters:

Butt the square-cut end of two Rafters (V) against a straight flat surface. Align the Rafters so they are parallel and the ends aligned and square. The distance between the Rafters should be 30". Measure from corner to corner both ways. When the two diagonal measurements are the same, the rafters are square.



ASSEMBLY INSTRUCTIONS

Fasten Roof Boards:

Start at the angled end of the Roof Rafters. Rest one Roof Board (AD) on top of the Rafters flush to the angled end. Use a 1/8" diameter drill to make pilot holes before fastening the Roof Board to the Rafter using four #10 x 1-5/8" Screws. Drill and screw the first hole at an angle, as shown, to avoid the angled cut of the rafter.

Continue with the next three Roof Boards, setting each against the previous Roof Board and fastening them. Once the position of the Rafters is stable, lay the rest of the Roof Boards in place. The sixth Roof Board should overhang the end of the Rafters by approximately 1/2". If the overhang is less than 1/2", evenly space the Roof Boards to achieve an overhang. If the overhang is greater, alternative holes should be made in the final Roof Board. Fasten the Roof Boards using #10 x 1-5/8" Screws.

Center Roof Rafter:

Find the center of the Roof Panel Assembly, halfway between the Rafters. Align the a Roof Rafter (U) to the center of the Roof Panel and fasten it in place using 1/8" pilot holes and #10 x 1-5/8" Screws as with the other Rafters.

Assemble Second Roof Panel:

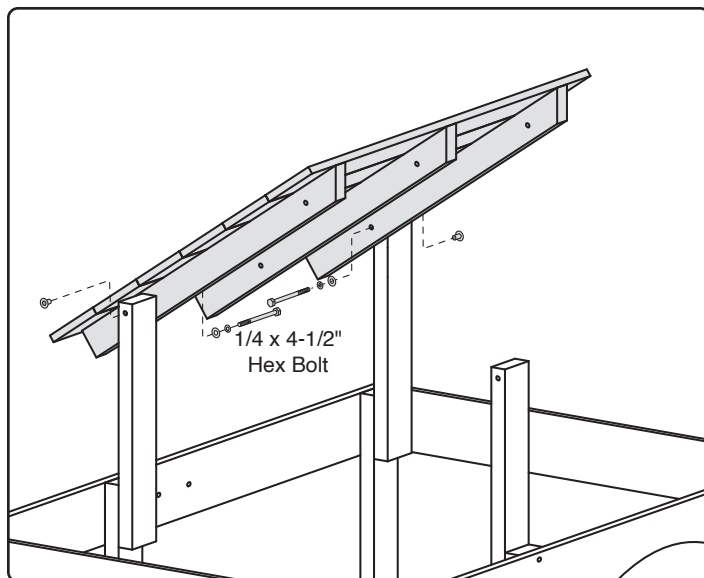
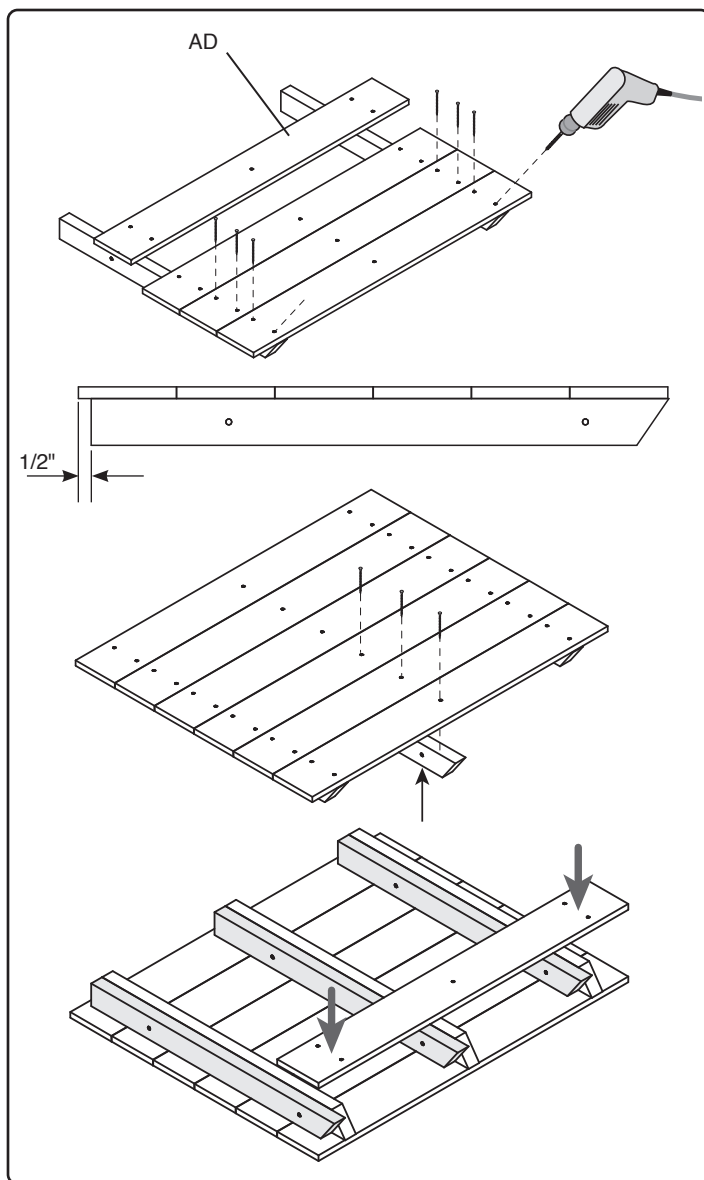
Flip the first Roof Panel to use as a template to assemble the remaining Roof Panel. Place the remaining Rafters tight against the Rafters on the assembled panel. Align the ends. Fasten Roof Boards to the Roof Rafters using 1/8" diameter pilot holes and #10 x 1-5/8" Screws, as with the first Roof Panel.

STEP 15 — Roof Panels to Roof Uprights:

Fasten one Roof Panel assembly to the left Roof Uprights using 1/4 x 4-1/2" Hex Bolt Assemblies.

Repeat with the other Roof Panel on the right uprights. Rest the angled ends of the Roof Panels against each other.

Hint: If you are having trouble making this connection, loosen the connection between one Roof Upright and the Wall Support. The Roof Upright can now be moved to allow better access. Be sure to re-secure the connection after the Roof Panels are in place.



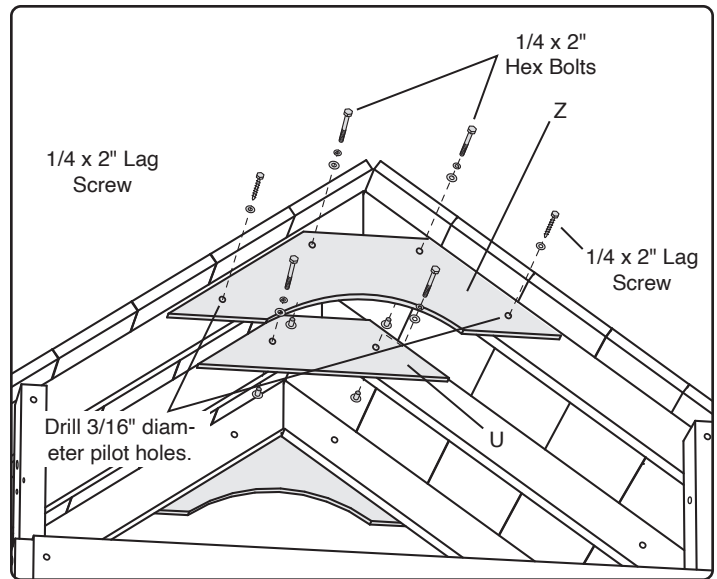
ASSEMBLY INSTRUCTIONS

STEP 16 — Ceiling Joists:

Adjust the Roof Panels so the angled ends are even with each other. Fasten an End Joist (Z) to the outside of the Rafters on each end. Use two 1/4 x 2" Hex Bolt Assemblies through the upper holes of each End Joist.

Fasten the Ceiling Joist (U) to the center Rafters using two 1/4 x 2" Hex Bolt Assemblies.

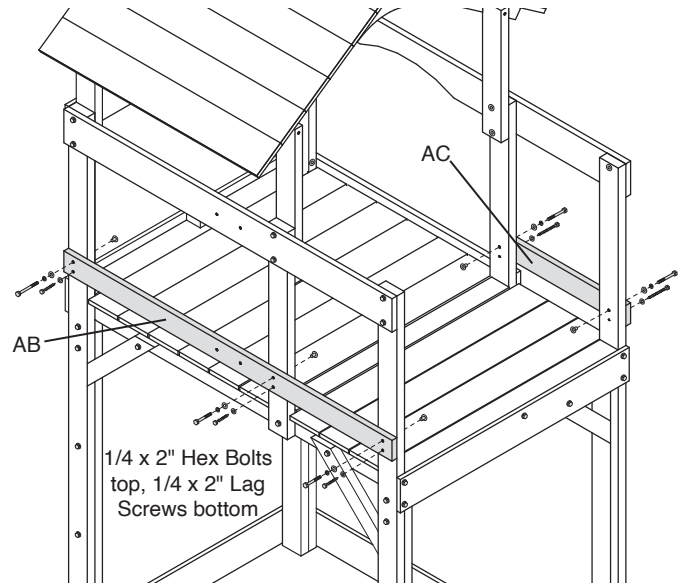
Adjust the Roof so it looks even. Adjust the End Rafters to look straight and centered in place. Use a 3/16" diameter drill to make pilot holes in the Rafters through the lower holes in the End Joists. Secure the End Joists to the Rafters using 1/4 x 2" Lag Screws and Flat Washers through the bottom holes.



STEP 17 — Lower and Short Wall Supports:

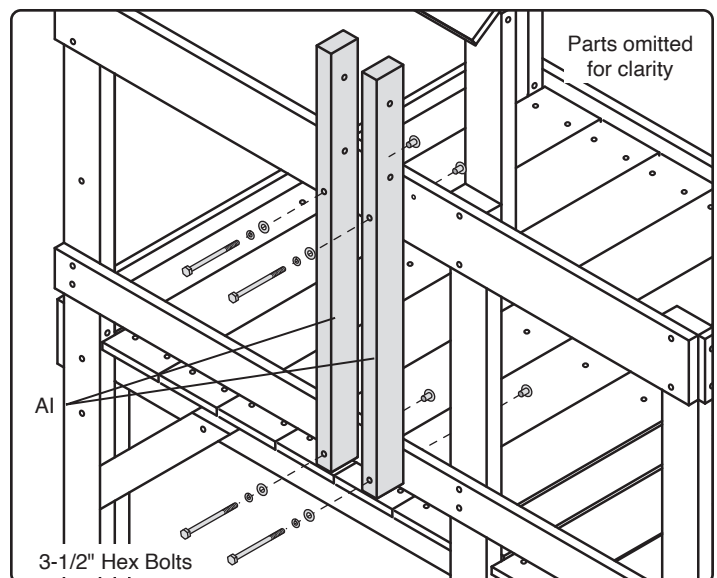
Fasten the Lower Wall Support (AB) to the Back Left Post, left Midpost and Front Left Post using 1/4 x 2" Hex Bolt Assemblies through the upper holes. Secure the three lower holes in the Lower Wall Support using 1/4 x 2" Lag Screws and Flat Washers.

Fasten the Short Wall Support (AC) to the right Midpost and Front Right Post using 1/4 x 2" Hex Bolt Assemblies through the upper holes. Secure the lower holes using 1/4 x 2" Lag Screws and Flat Washers.



STEP 18 — Swing Mounts:

Fasten the two Swing Mounts (AI) to the Left Wall Support and Lower Wall Support using two 1/4 x 3-1/2" Hex Bolts each. Be sure to orient the Swing Mounts so the holes on the sides are closer to the top.



ASSEMBLY INSTRUCTIONS

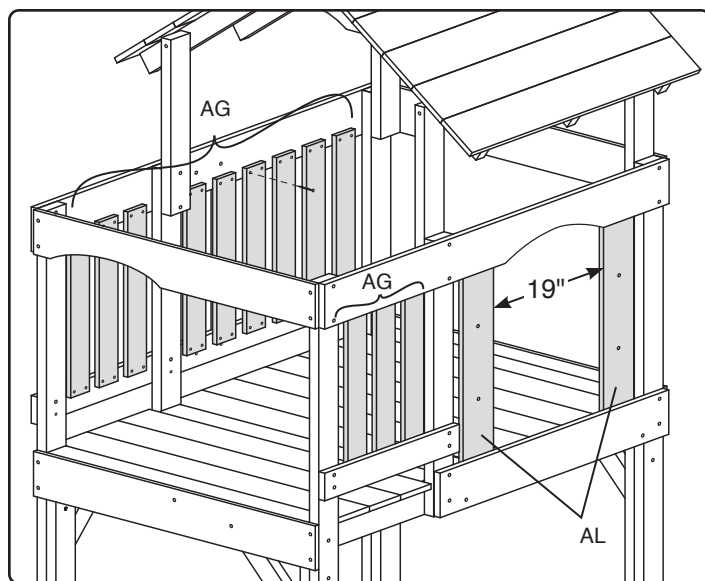
STEP 19 — Short Wall Slats & Entrance Slats:

Fasten three Short Wall Slats (AG) to the Left Wall Support and Lower Wall Support using four #10 x 1-5/8" Screws each. Evenly space the Slats between the front left post and the left Mid Post. The gap between the Slats will be approximately 1-5/8".

Fasten six Short Wall Slats (AG) to the Left Wall Support and Lower Wall Support using four #10 x 1-5/8" Screws each. Evenly space the Slats between the back left post and the left Mid Post. The gap between the Slats will be approximately 1-7/8".

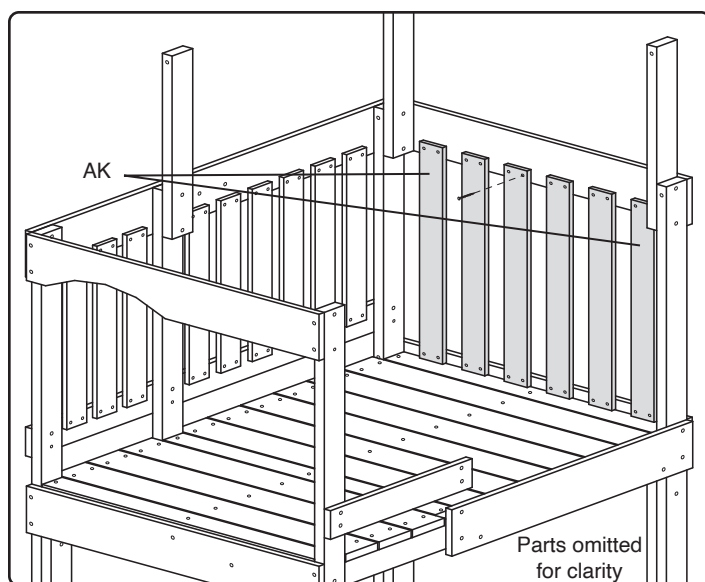
Fasten three Short Wall Slats (AG) to the Right Top Support and Short Wall Support using four #10 x 1-5/8" Screws each. Evenly space the Slats between the front left post and the left Mid Post. The gap between the Slats will be approximately 1-5/8".

Fasten the Entrance Slats (AL) to the inside of the Right Wall Support and Rock Wall Mount using #10 x 1-5/8" Screws. Leave a gap of 19" between the Entrance Slats.



STEP 20 — Narrow Wall Slats:

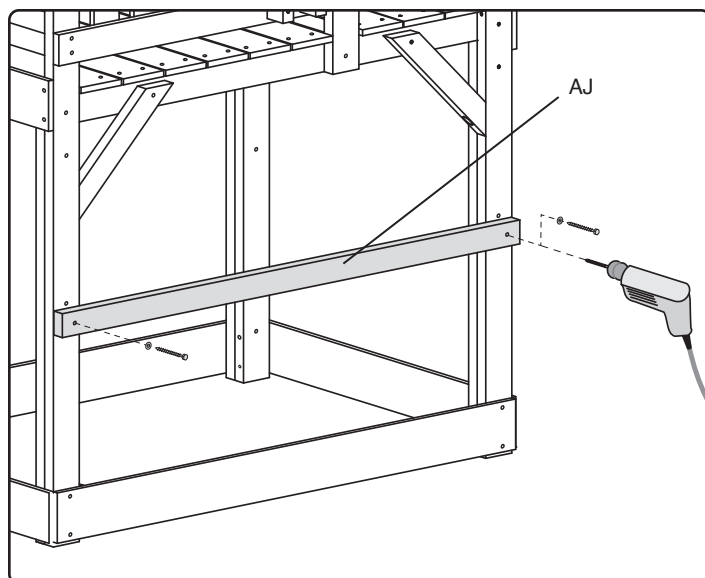
Fasten six Narrow Wall Slats (AK) to the Platform Back and End Support using four #8 x 1-1/4" Screws each. Evenly space the Slats between the Back Left Post and Back Right Post. The gap between the Slats will be approximately 2-3/4".



STEP 21 — Safety Rail:

Hold the Safety Rail (AJ) in place against the left posts, under the Swing Mounts, approximately 23" above the ground.

Fasten the Safety Rail to the posts with two 1/4 x 3-1/2" Lag Screws and Flat Washers using the pre-drilled pilot holes.



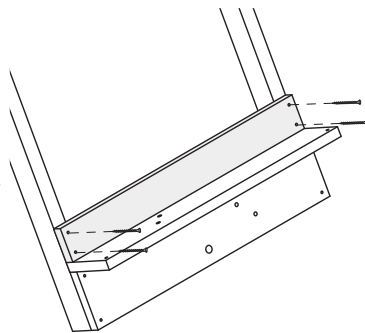
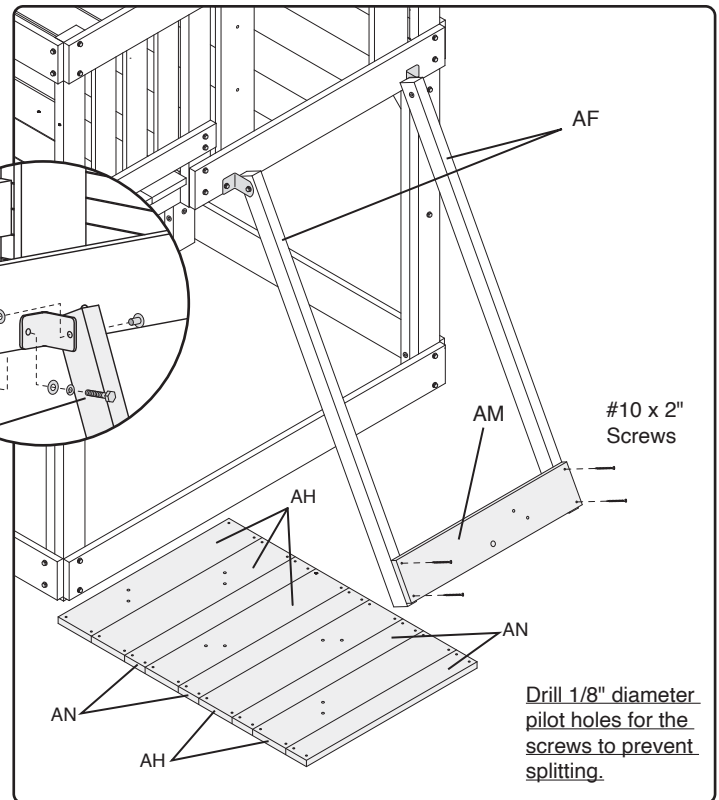
STEP 22 — Climber Uprights, Rope Board:

Fasten one Access Bracket to the top of each Climber Upright (AF) using one 1/4 x 1-1/2" Hex Bolt Assembly.

Fasten each Bracket and Rail assembly to the Rock Wall Mount using one 1/4 x 1" Hex Bolt Assembly.

Fasten the Rock & Rope Board (AM) to the bottom of the Climber Rails using two #10 x 2" Screws, in the bottom corner holes only. Use a 1/8" diameter drill to create pilot holes for the screws to prevent splitting of the Climber Rails.

Measure the diagonal distance from the top left corner of the Climber Rail to the bottom right corner of the Rock & Rope Board. Measure the opposite diagonal. Adjust the position of the Climber Rails until the diagonal measurements are equal. Finish securing the board. Layout the Rock Boards and Spacer Boards as shown. Determine which boards look best on which side.

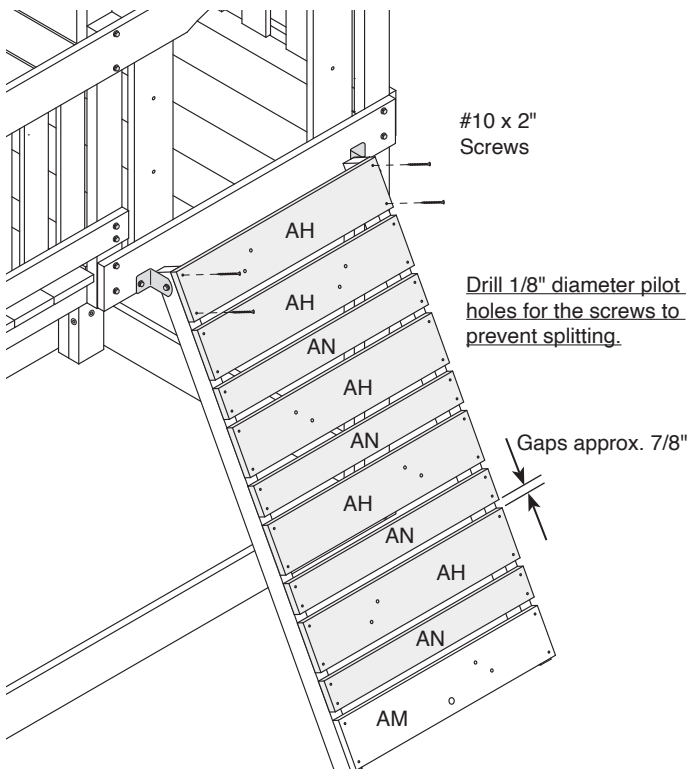


Use a Rock Board or Spacer Board on edge to gauge the gap.

STEP 23 — Rock & Spacer Boards:

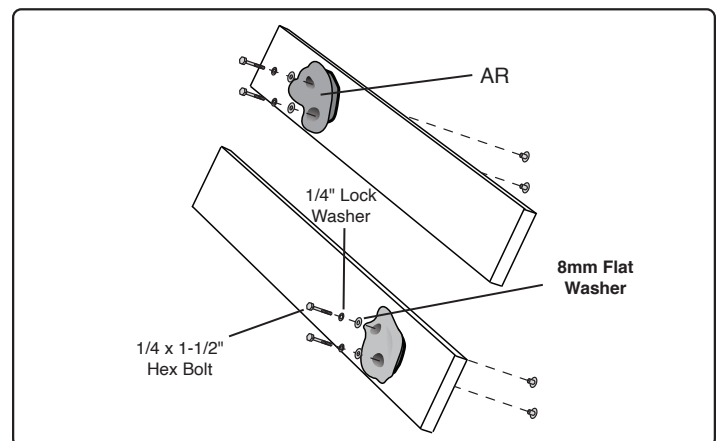
Fasten one Rock Board (AH) to the top of the Climber Rails using two #10 x 2" Screws. Drill 1/8" diameter pilot holes for the screws to prevent splitting of the Climber Rails.

Evenly space Rock Boards and Spacer Boards (AN) between the top Rock Board and Bottom Rope Board in the pattern shown at left. Secure each board to the Climber Rails using four #10 x 2" Screws with 1/8" pilot holes. The gap between boards will be approximately 7/8". Use a Rock Board or Spacer Board on edge to gauge the gap.



STEP 24 — Climbing Rocks:

Fasten one Climbing Rock (AR) to each Rock Board using two 1/4 x 1-1/2" Hex Bolts, 1/4" Lock Washers, **8mm Flat Washers** and 1/4" Weld Nuts.



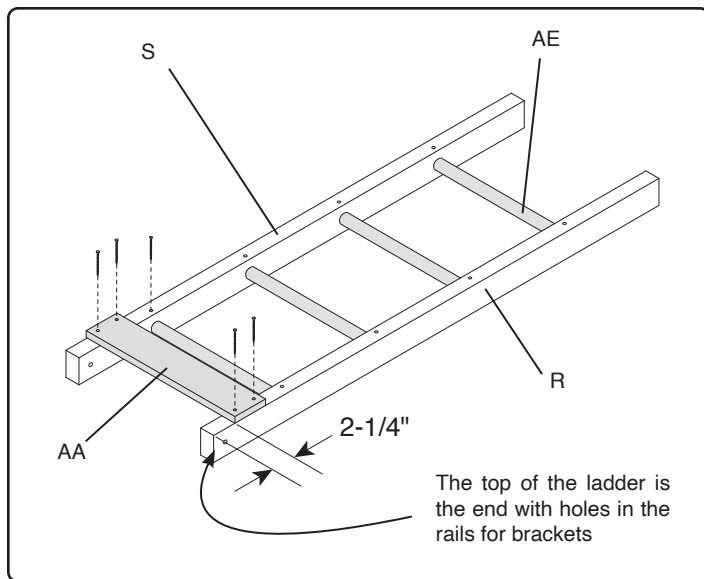
ASSEMBLY INSTRUCTIONS

STEP 25 — Access Ladder Rungs & Slat:

Fit four 15" Rungs (AE) into the holes in the Left Ladder Rail (R) and the Right Ladder Rail (S). Set the assembly flat on a solid surface. Make sure the rungs are completely inserted with the ends of the rungs snug against the bottom of the holes.

Use #10 x 1-1/2" Self-Drilling Screws, through the holes provided, to fasten the rungs in place. (The Self-Drilling Screws have a drill-bit tip. Point the screw toward the center of rung diameter and press firmly. Do not sink the head of the screw beyond flush with the surface of the wood.

Use four #10 x 2" Screws to fasten the Ladder Slat (AA) to the Ladder Rails. The top edge of the Ladder Slat should be about 2-1/4" below the top of the Ladder Rails as shown. Make sure the gap between the top Rung and the Ladder slat is less than 3-1/2"; adjust if necessary. Drill 1/8" diameter pilot holes 1" deep for each #10 x 1-5/8" Screw.

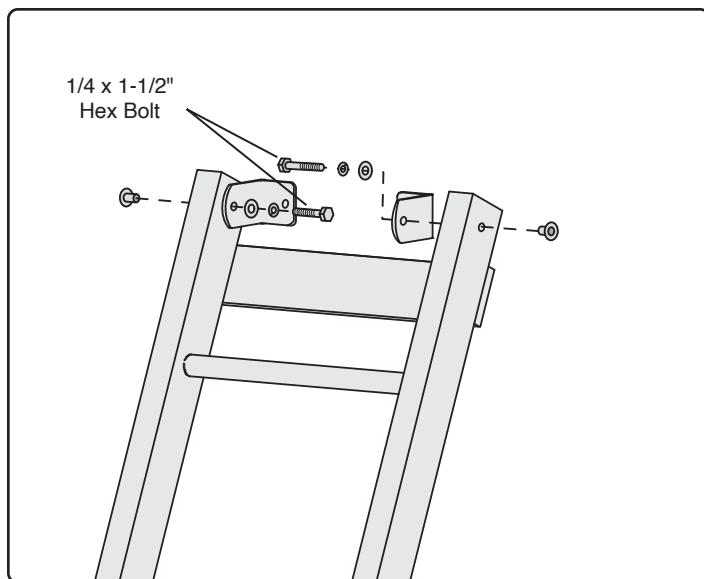


STEP 26 — Access Ladder:

Fasten one Access Bracket to inside of each Ladder Rail using 1/4 x 1-1/2" Hex Bolt Assemblies as shown at right.

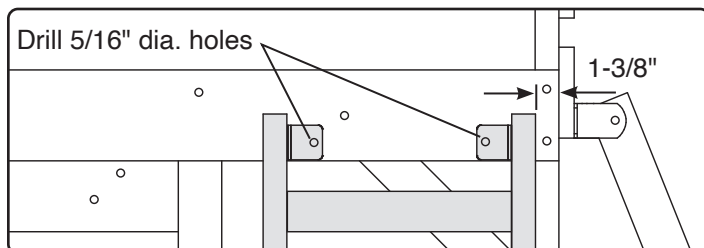
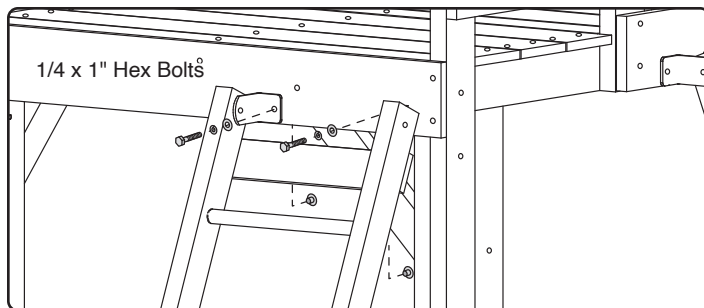
Note: Temporarily place the Slide into position to help judge the best placement for the Access Ladder. Make sure that all hardware has room to fit before drilling.

See the standard placement below right.



Lean the Access Ladder against the gym with the Access Brackets flat against the Platform Front and the lower edge of the Brackets flush with the lower edge of the Platform Front.

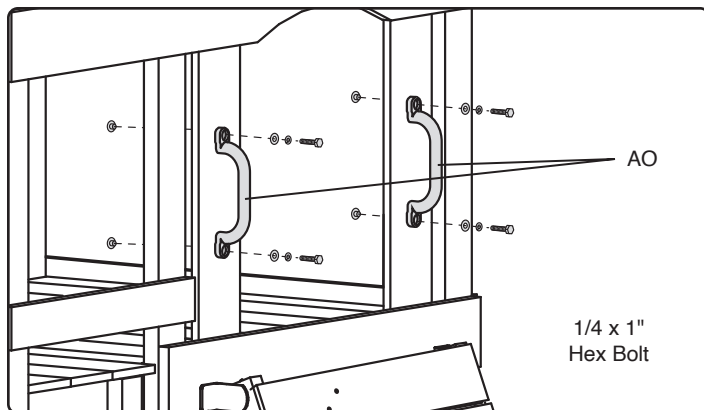
Drill 5/16" diameter holes through the holes in the Brackets and through the Platform Front. Secure the Brackets using 1/4 x 1" Hex Bolt Assemblies.



ASSEMBLY INSTRUCTIONS

STEP 27 — Hand Grips to Entrance Slats:

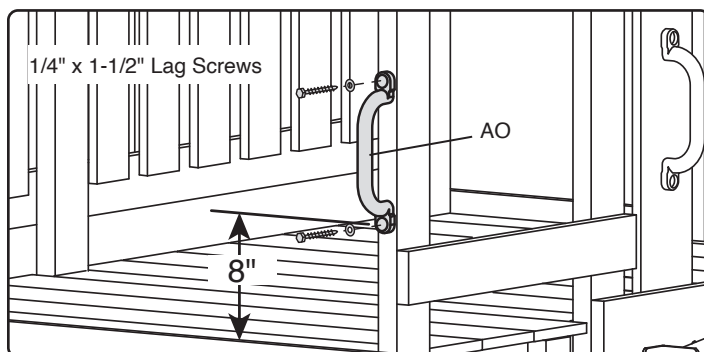
Fasten one Hand Grip (AO) to each Entrance Slat above the Rock Climber using two 1/4 x 1" Hex Bolt Assemblies for each.



STEP 28 — Hand Grip to Front Post:

Hold one Hand Grip (AO) against the front face of the front right post above the Access Ladder. The lower hole should be 8" above the top of the platform.

Fasten with 1/4 x 1-1/2" Lag Screws and Flat Washers using the holes provided.



STEP 29 — Climbing Rope:

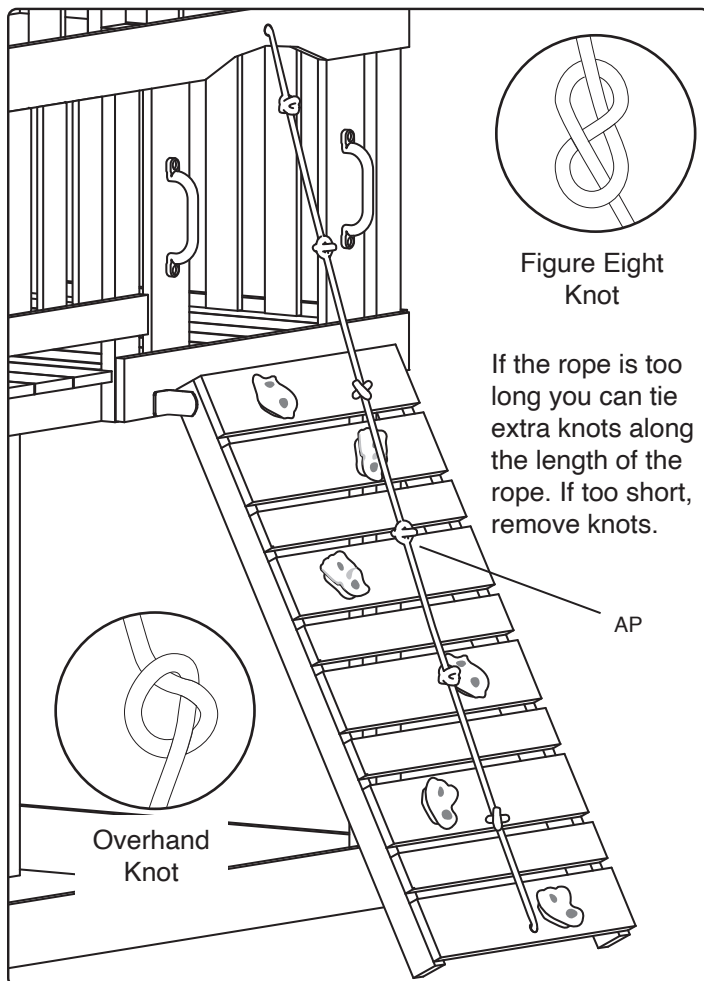
Push one end of the Climbing Rope (AP) through the hole in the Right Wall Support. Tie a figure-eight knot at the end of the rope, inside the gym. Leave at least 3" of rope extending beyond the knot inside the gym.

From the outside of the gym, tie an overhand knot approximately every 11" along the length of the rope. Make sure each knot is tight.

Push the loose end of the rope through the hole in the Bottom Rope Support. Pull the rope taut and tie a figure-eight knot to secure it.

Set the Climber Rails into the playground surface to ensure that the bottom rope connection is as close to the ground as possible.

IMPORTANT: Check the rope often. At no time should the bottom end of the rope be untied or the rope loose enough to form a loop. This presents extreme danger to your children.



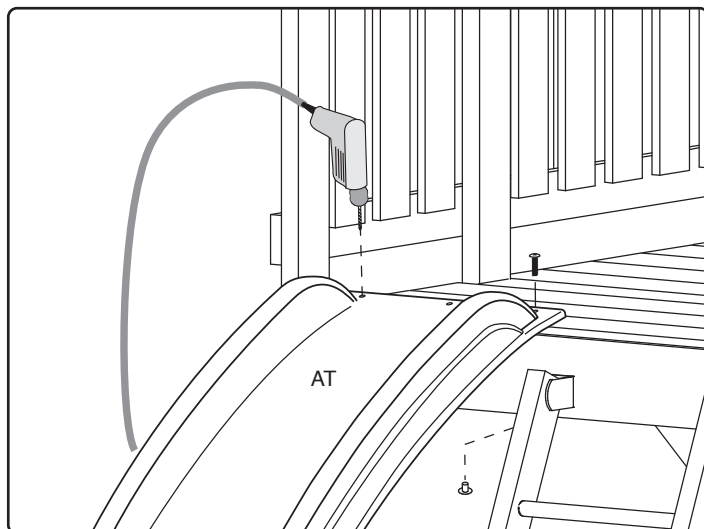
ASSEMBLY INSTRUCTIONS

STEP 30 — Slide:

Place your Slide in the opening in the tower front as shown. Check that the Slide extends out perpendicular from the play set.

Using the holes in the slide for guides, drill 5/16" diameter holes through the Platform Boards and secure the Slide using 1/4" x 1" Truss Head Bolts from the top and 1/4" Weld Nuts from below.

Note: Depending on the Slide, you may find the holes you drill encounter a framing member. If so, stop drilling after piercing the Deck Board. Loosen the Deck Board and insert the Weld Nuts from the underside. If desired, a 1" spade drill bit can be used to clear a space for the base of the Weld Nut in the Framing Member. Re-attach the Platform Board and continue securing the Slide.



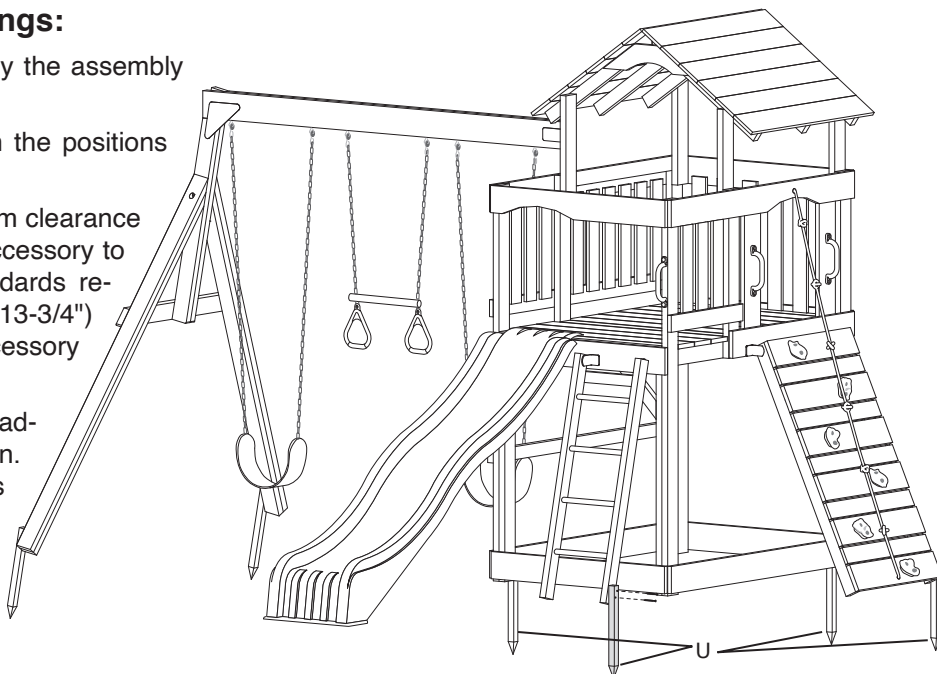
STEP 31 — Swing Beam & Swings:

Install the Swing Beam as instructed by the assembly guide included with the Beam.

Hang the Swings and Ring Trapeze in the positions shown at right.

U.S. safety standards require a minimum clearance of 8" from the bottom of each Swing Accessory to the ground. U.K. (& E.U.) safety standards require a minimum clearance of 350mm (13-3/4") between the bottom of each Swing Accessory and the ground.

The height of each Swing Accessory is adjusted by using a different link in the chain. Be sure to hang the Swings Accessories with ground clearance greater than or equal to the safety standard for your region.



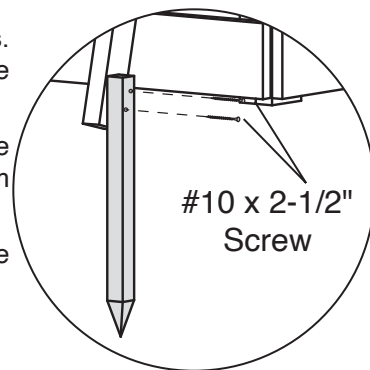
STEP 32 — Ground Stakes:

Hammer two Ground Stakes next to the Front Left Post and Back Right Post as shown. The top of the Ground Stake should be minimum of 1/8" below the top of the Sandbox Sides. Secure each stake to the adjacent Sandbox Side using two #10 x 2" Screws through the pre-drilled holes.

Hammer Ground Stakes next to the Access Ladder and Cargo Upright as shown. Secure each stake with two #10 x 2-1/2" Screws through the pre-drilled holes. Secure the Beam Legs in the same manner.

Note: Do NOT use concrete to set Ground Stakes. Pound a metal spike or rod into the ground to start a hole in hard or rocky ground.

Inspect your work; make sure all fasteners are secured properly and the area is clear of hazards before allowing children on the Swing Set.



Save all instruction sheets and receipts in case it becomes necessary to contact Creative Playthings for warranty service and/or part replacement. The warranty can be found in your Owner's Manual.