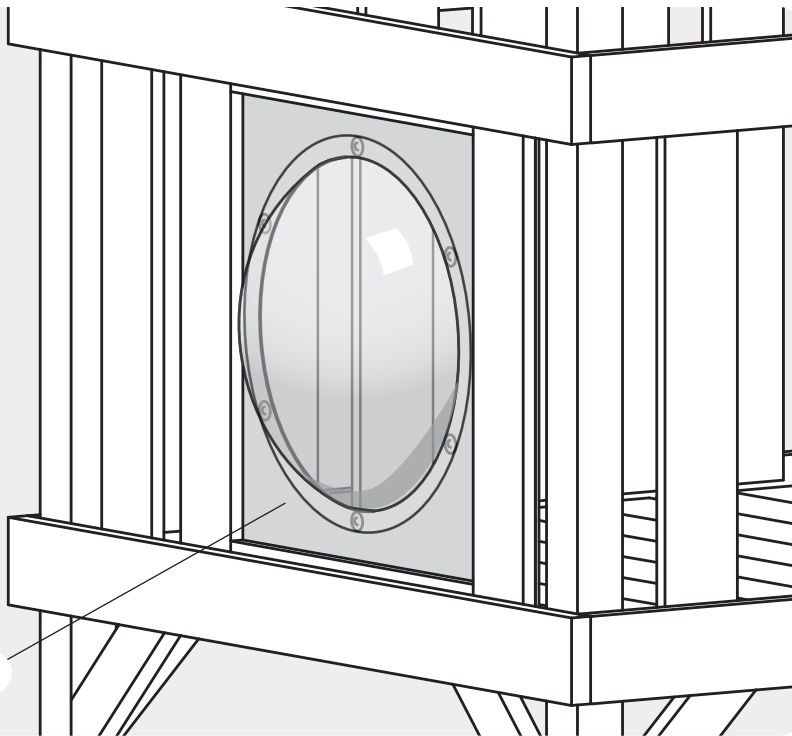
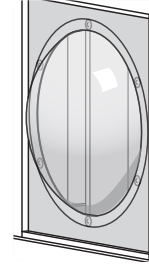


Creative Playthings®

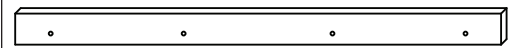


**Parts:**

AP970-104 Bubble Panel



A 1 15169-400 Bubble Panel, Green

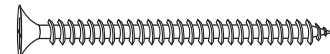


B 2 35640-102 Bubble Block 7/8 x 1-3/4 x 27-3/8"

50510-700 Hardware Bag, Bubble Panel



I2 17020-102 Screw #6 x 1"



I0 17020-106 Screw #10 x 1-5/8"

**All hardware on this set is specially coated for corrosion resistance. If non-Creative Playthings hardware is used, it must be galvanized or stainless steel.**

Special Information: This installation guide is for Creative Playthings gyms that use 31-1/2" Wall Slats mounted to the inside of the Platform and Wall Supports: Williamsburg, Lexington, Chesapeake, Manchester, Yorktown, Ridgefield, Skybox and side walls of the Fun Deck.

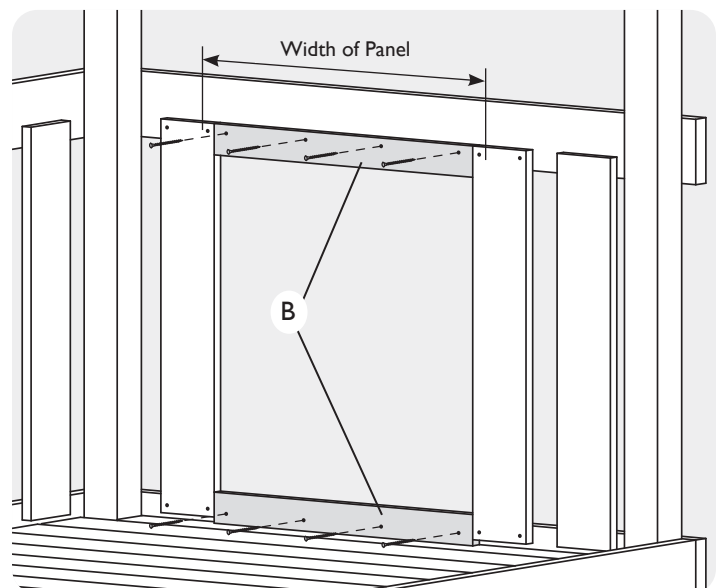
## STEP ONE – Blocks

Remove the Wall Slats from the side of the gym where the Bubble Panel is to be installed. Hold the Bubble Panel in place to determine the best placement. Install two Wall Slats so the outside edges of the Panel will overlap the Wall Slats (approximately 27-1/2" apart).

Install Wall Slats to fill any remaining gaps greater than 3-1/2" and less than 9".

Fasten the Blocks in place using #10 x 1-5/8" Screws.

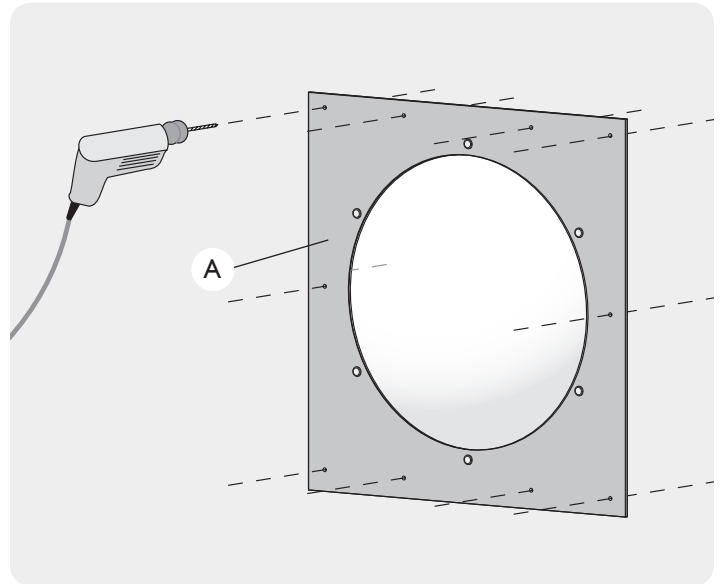
**Be sure to hold the panel in place to determine fit before securing the slats and blocks.**



## STEP TWO – Drill Panel

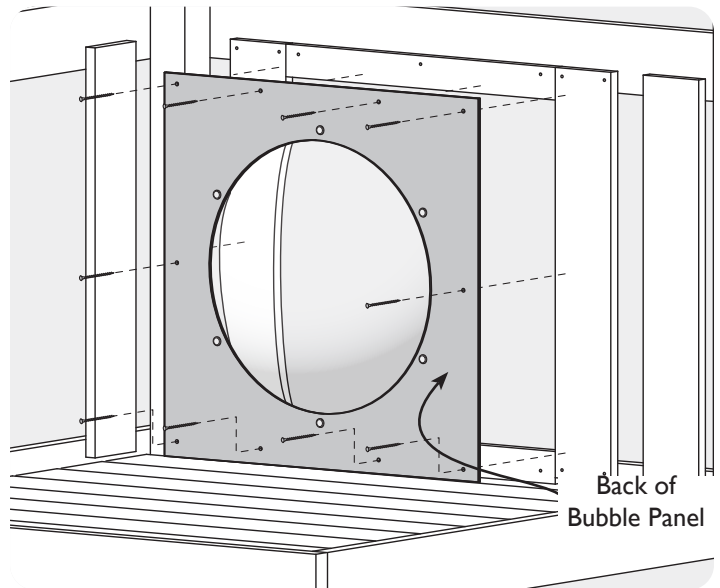
Hold the Bubble Panel in place to determine Screw Placement. The Screws must land on a wooding support and not interfere with existing hardware. Use a pattern similar to that shown at right.

Move the Bubble Panel away from the Wall Slats. Drill 3/16" diameter holes in the positions determined.



## STEP THREE – Fasten Bubble Panel

Fasten the Bubble Panel to the Wall Slats and 5/4 Blocks using 1" Screws.



## Note Regarding the Manchester Fun Deck:

There is no room at the end of the Fun Deck to mount wall slats on either side of the bubble panel. Set the bubble panel in place and mark where the screw holes should go across the top and bottom of the panel.

Drill 3/16" diameter holes and mount the bubble panel directly to the platform support and wall support using the short screws. The bubble blocks are unnecessary.

