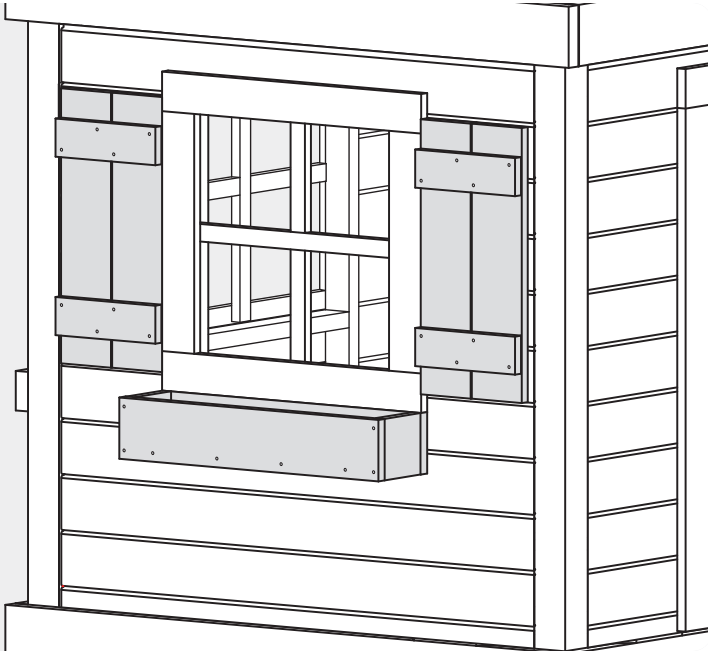







# Window Box & Shutters

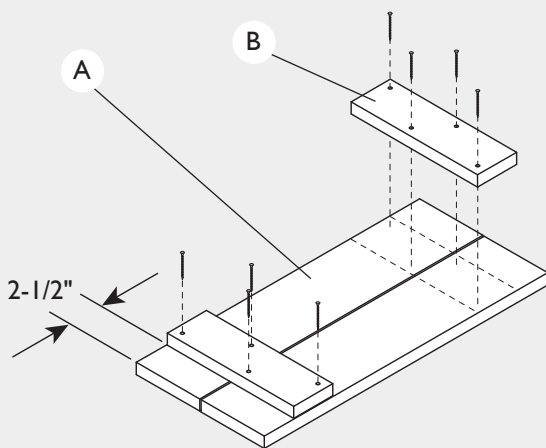
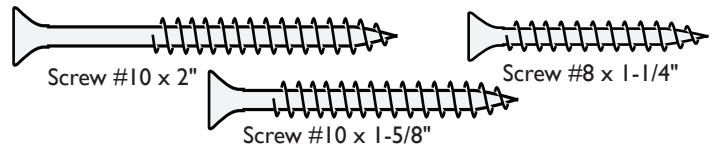
**Creative Playthings®**



## Parts:

-  A 4 33591-102 Shutter Board 5/4 x 6 x 23-1/2"
  -  B 4 33592-102 Batten 5/4 x 4 x 10-1/2"
  -  C 2 33593-102 Box Side 5/4 x 6 x 27-1/4"
  -  D 2 33594-102 Box End 5/4 x 6 x 5-1/4"
  -  E 1 33595-102 Box Bottom 5/4 x 6 x 25-1/4"
- 50509-700 Hardware, Window Pack  
 18 17025-104 Screw #8 x 1-1/4"  
 28 17020-115 Screw #10 x 1-5/8"  
 16 17020-107 Screw #10 x 2"

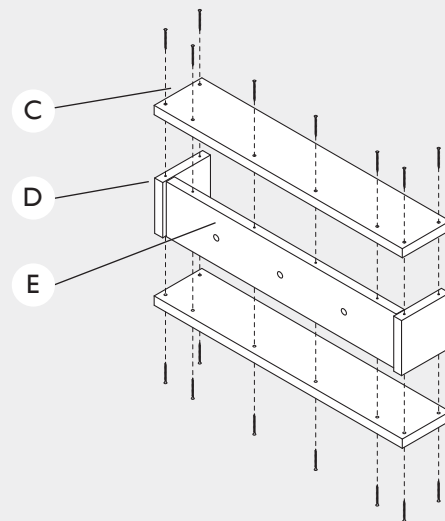
All hardware on this set is specially coated for corrosion resistance. If non-Creative Playthings hardware is used, it must be galvanized or stainless steel.



## STEP ONE - Assemble Shutters

Lay two Shutter Boards (A) side-by-side, 1/4" apart. Place one Batten (B) 2-1/2" from each end as shown. Use four #10 x 1-5/8" Screws to fasten each Batten to the Shutter Boards. Be careful not to sink the Screws so deep that the tips protrude from the back of the Shutter Boards.

Repeat with the remaining Shutter Boards and Battens.



## STEP TWO – Assemble Window Box

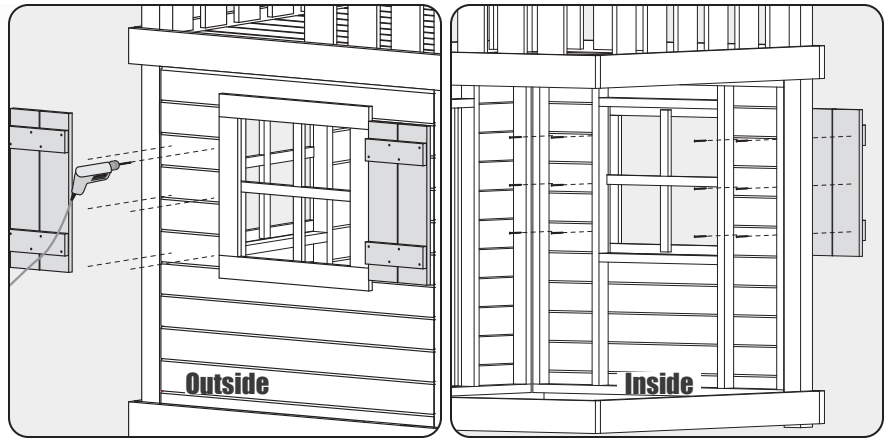
Using eight #10 x 2" Screws fasten one Box Side (C) to the Two Box Ends (D) and Box Bottom (E) as shown. Flip the assembly and fasten the remaining Box Side in the same manner.

### STEP THREE – Install Shutters

Hold one Shutter in place next to the Window Frame as shown to determine fastener placement. Remove the Shutter and drill six 3/16" diameter holes through the Clubhouse Window Panel.

From the inside, fasten the Shutter to the Window Panel using six #8 x 1-1/4" Screws through the 3/16" holes. Do not drive the screws so deep the tips protrude.

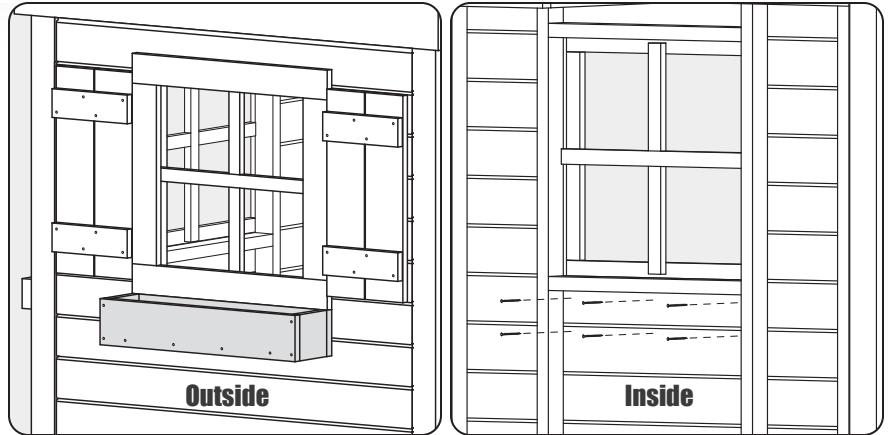
Repeat with the other Shutter.



### STEP FOUR – Install Window Box

Hold the Window Box in place below the Window Frame as shown to determine fastener placement. Remove the Window Box and drill six 3/16" diameter holes through the Clubhouse Window Panel.

From the inside, fasten the Window Box to the Window Panel using six #8 x 1-1/4" Screws through the 3/16" holes. Do not drive the screws so deep the tips protrude.



### Door & Window Panel Installation

On the Door and Window Panel, there is no room between the window and door frames for the Shutter. Instead fasten the Shutter from the front.

Drill six 3/16" diameter holes through the Shutter as shown. Fasten the Shutter to the face of the window frame and door frame using six #10 x 1-5/8" Screws.

On the other side of the window, place the Shutter on the window frame and angle it back to rest on the surface of the Panel. Fasten the Shutter to the window frame and Panel using six #10 x 1-5/8" Screws. Make sure the tips of the Screws do not protrude.

