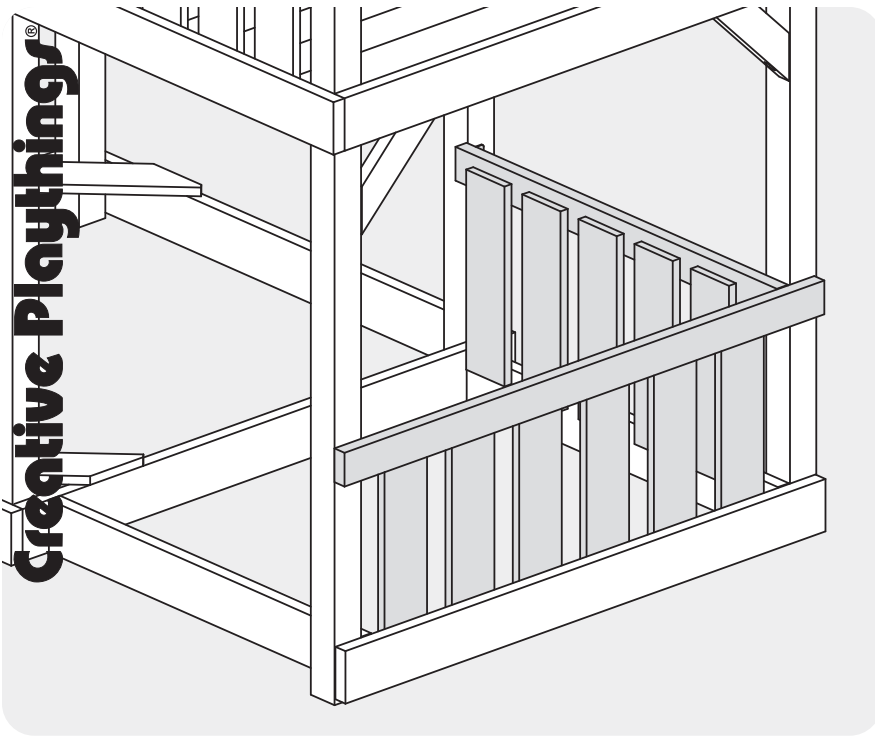


# Ridgefield Porch Play Walls



## Parts:

63071-101 Ridgefield Play Walls

A | 31488-102 Long Wall Supp 2 x 4 x 59-1/4"

B | 31936-102 Wall Slat 5/4 x 6 x 20"

C | 33458-102 End Wall Support 2 x 4 x 44"

50492-700 Hardware Ridgefield Play Walls

4 | 12002-206 Flat Washer 5/16"

1 | 12017-206 Lock Washer 5/16"

61 | 17020-115 Screw #10 x 1-5/8"

1 | 17001-105 Weld Nut 5/16"

1 | 17003-611 Hex Bolt 5/16 x 1-1/2"

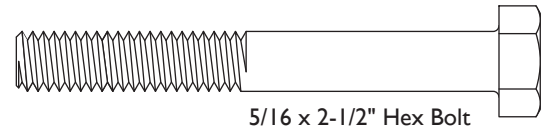
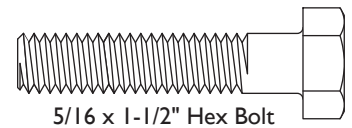
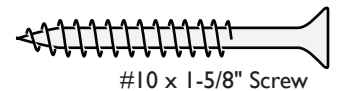
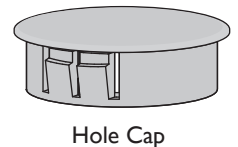
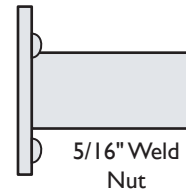
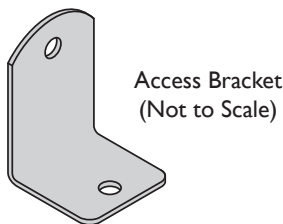
4 | 17036-1002 Lag Screw 5/16 x 2-1/2"

4 | 15081-704 1" Hole Cap, Brown

1 | 14161-400 Access Bracket

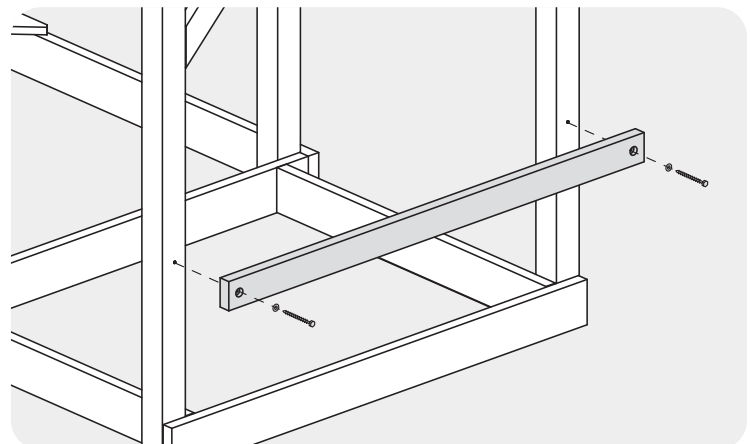
**SPECIAL NOTES AND INSTRUCTIONS:**  
If the Ridgefield Play Floor is to be used, install the Play Floor Before installing the Play Walls. See the owner's manual for the Ridgefield gym for additional safety information.

**All hardware on this set is specially coated for corrosion resistance. If non-Creative Playthings hardware is used, it must be galvanized or stainless steel.**



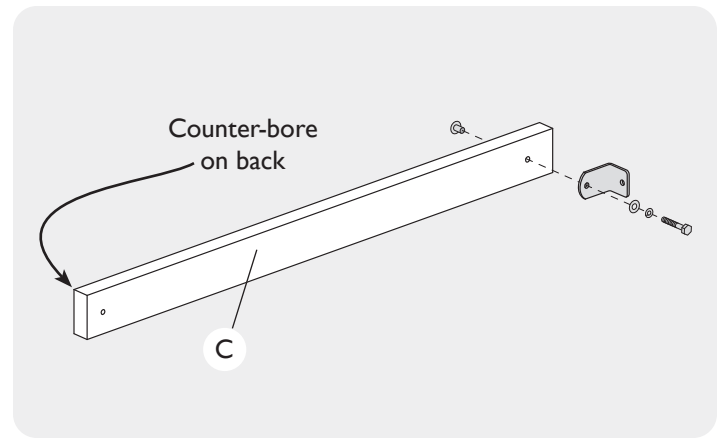
## STEP ONE - Long Support

Fasten the Long Wall Support (A) to the short porch posts of the Ridgefield gym using two 5/16 x 2-1/2" Lag Screws and two Flat Washers, as shown at right. Use the pilot holes 24" up from the bottom of the posts.



## STEP TWO - Access Bracket to End Support

Fasten the Access Bracket to the end of the End Wall Support (C) using a 5/16 x 1-1/2" Hex Bolt, Lock Washer, Flat Washer and Weld Nut. Use the hole with no counter-bore. Make sure the Access Bracket is fasten on the face of the board opposite the face with the counter-bore.

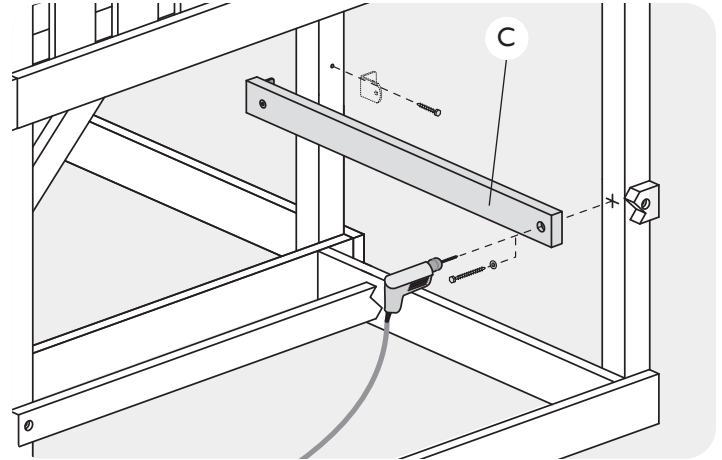


## STEP THREE - End Support

Note: the End Wall Support can be mounted at either end of the porch base.

Drill a 1/4" diameter pilot hole 1-1/4" deep, 24" up from the bottom of the Porch post as shown at right.

Fasten the End Wall Support to the post using a 5/16 x 2-1/2" Lag Screw and Flat Washer. Fasten the Bracket to the pre-drilled hole in the adjacent gym post using a 5/16 x 2-1/2" Lag Screw (no Flat Washer needed).



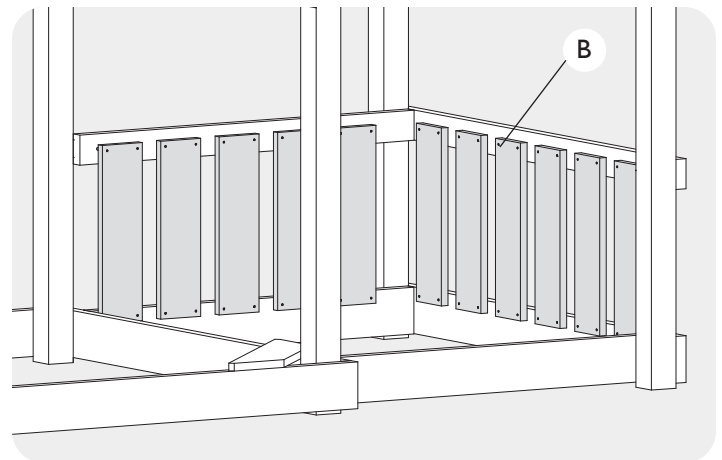
## STEP FOUR - Wall Slats

Evenly space five Wall Slats (B) between the posts at the end of the porch base. Fasten each to the End Wall Support and sandbox end frame using four #10 x 1-5/8" Screws.

Evenly space the remaining six Wall Slats (B) between the posts at the side of the porch base. Fasten each to the Long Wall Support and sandbox side frame using four #10 x 1-5/8" Screws.

### Important!

**The gap between Wall Slats or between a Wall Slat and a post must never be more than 3-1/2"**



## STEP FIVE - Hole Caps

Insert Hole Caps into all counter-bored holes to cover the hardware.

