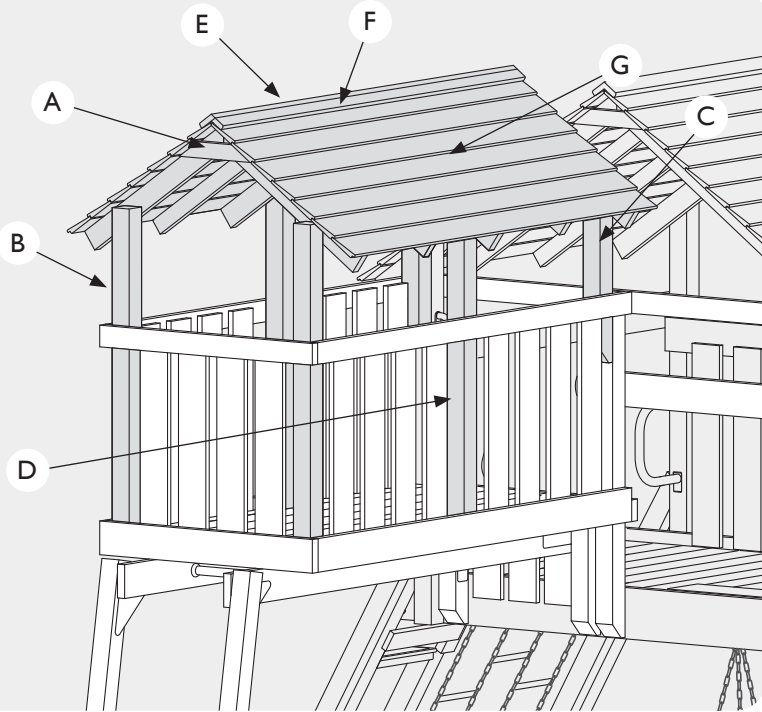


Manchester Fun Deck Roof

MODEL 63070-404

Creative Playthings®



Tools & Materials Recommended for Finishing & Assembly:

- Claw Type Hammer
- Carpenter's Level
- Socket Wrench (1/2")
- Electric Drill
- 1/8" & 3/8" Dia. Drill Bits
- #2 Phillips Screwdriver or Screw Tip for Drill
- Locking Pliers
- Tape Measure
- 8 ft. Step Ladder

All hardware on this set is specially coated for corrosion resistance. If non-Creative Playthings hardware is used, it must be galvanized or stainless steel.

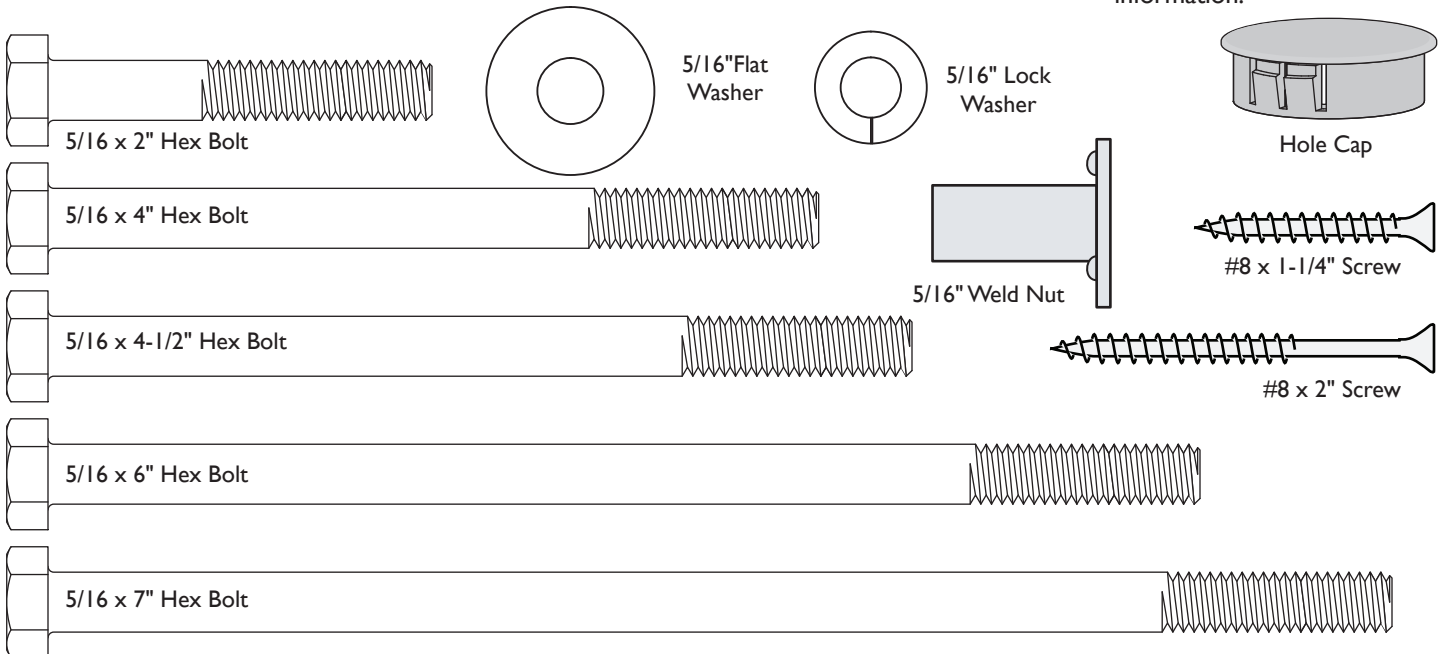
Wooden Parts:

- A 5 31818-102 Roof Joist 2x3x15"
- B 2 32858-102 Corner Roof Post 4x4x54"
- C 2 32859-102 Roof Post Addition 4x4x29"
- D 2 32860-102 Center Roof Post 4x4x50-5/8"
- E 1 32865-402 Ridge Cap A 5/4x3-5/32x79"
- F 1 32866-402 Ridge Cap B 5/4x2-9/32x79"
- G 2 40539-402 Roof Panel Assembly
(Replacement Roof Board: 32863-402)

Hardware:

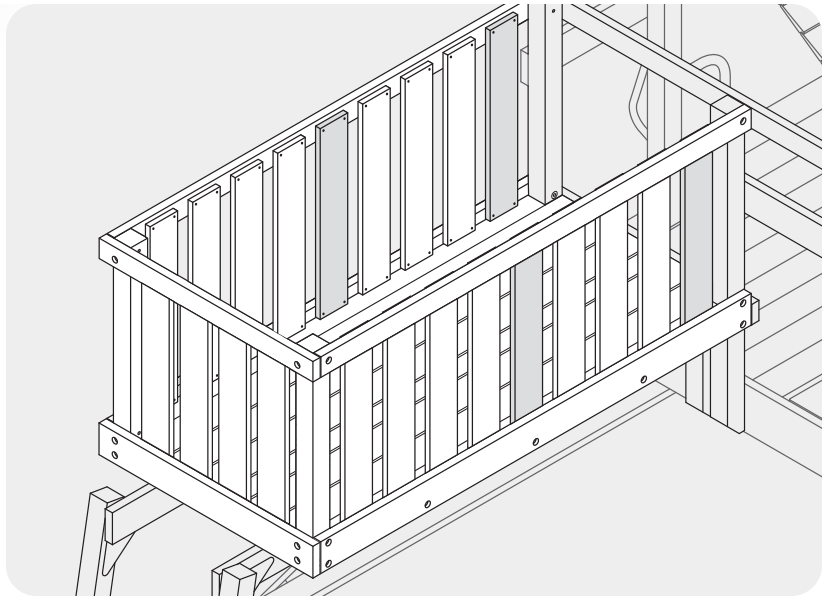
- 50505-700 Hardware, Man. Fun Deck Roof
- 26 17001-105 Weld Nut 5/16
- 26 12002-206 Flat Washer 5/16
- 26 12017-206 Lock Washer 5/16
- 11 17003-811 Hex Bolt 5/16x2"
- 4 17003-1611 Hex Bolt 5/16x4"
- 6 17003-1811 Hex Bolt 5/16x4-1/2"
- 2 17003-2411 Hex Bolt 5/16x6"
- 2 17003-2811 Hex Bolt 5/16x7"
- 22 17025-104 Screw #8x1-1/4"
- 9 17025-112 Screw #8x2"
- 20 15081-704 1" Hole Cap, Brown

See the owner's manual and assembly instructions for the Manchester gym for additional safety information.



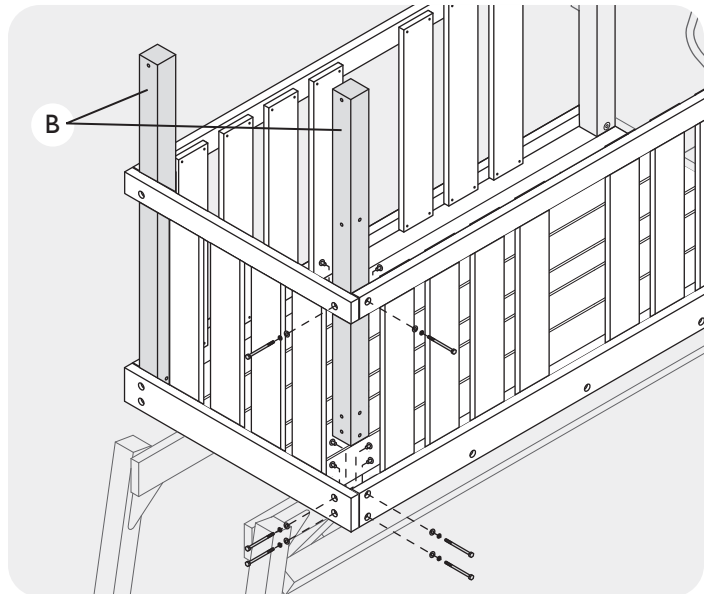
STEP ONE – Remove Wall Slats

Before mounting a wood roof to the Manchester Fun Deck remove the Wall Slats shown shaded at right. Retain parts and hardware for re-installation later in the assembly process. Two of the Wall Slats will be used again.



STEP TWO – Corner Roof Posts

One at a time, remove the Fun Deck Corner Posts and replace them with the Corner Roof Posts (B) using the same hardware.



STEP THREE – Roof Post Additions

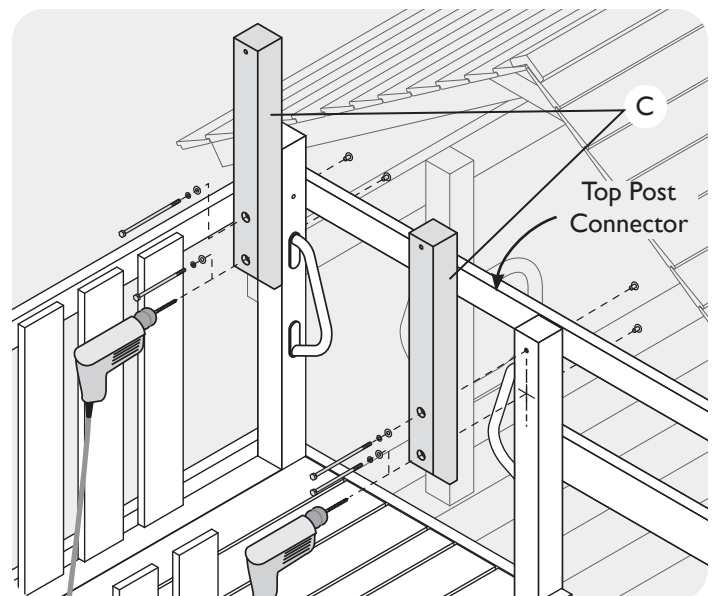
Install one Roof Post Addition (C) at a time.

Remove the fasteners holding the Top Post Connector to the gym Corner Post. Align the topmost counter-bored hole in the Roof Post Addition with the hole from which the hardware was just removed and mark the position of the lower hole on the gym Post. Check to make sure that no hardware interferes before drilling a 3/8" diameter hole through the Post at the mark. If the fasteners for the Hand Grip interfere, move the Hand Grip.

Fasten the Roof Post Addition to the Post using a 5/16 x 7" Hex Bolt Assembly in the upper hole and a 5/16 x 6" Hex Bolt Assembly in the lower hole.

Repeat, fastening the other Roof Post Addition to the Center Post.

* Note: a Hex Bolt Assembly consists of one Hex Bolt, one Lock Washer, one Flat Washer, and one 5/16 Weld Nut.

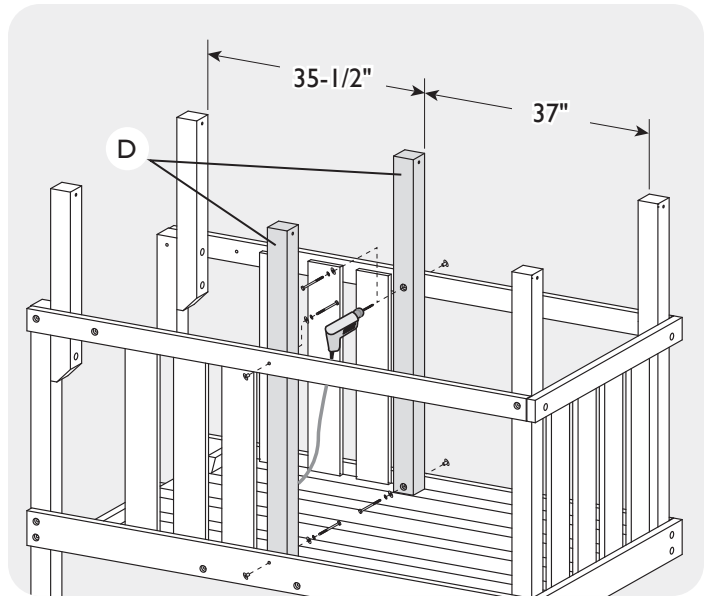


STEP FOUR – Center Roof Posts

Position one Center Roof Post (D) resting on the deck and tight against the right Wall Support, 37" from the right Corner Roof Post. Make sure that the Center Roof Post is plumb. Mark the position of the holes in the Center Roof Post on the right Wall Support and the right Platform Side. With a 3/8" diameter drill, make a hole through the right Wall Support and the right Platform Side at the places marked.

Fasten the Center Roof Post with two 5/16 x 4" Hex Bolt Assemblies.

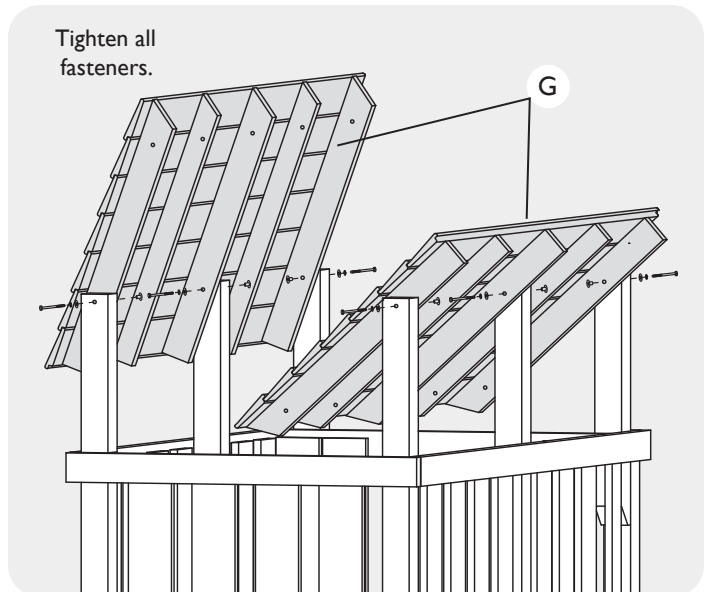
Repeat with the other Center Roof Post on the left side of the Fun Deck.



STEP FIVE – Roof Panel to Roof Posts

Lift one Roof Panel Assembly (G) into place as shown. Fasten the rafters to the Roof Posts using three 5/16 x 4-1/2" Hex Bolt Assemblies. Do not tighten completely; allow the panel to pivot on the bolts.

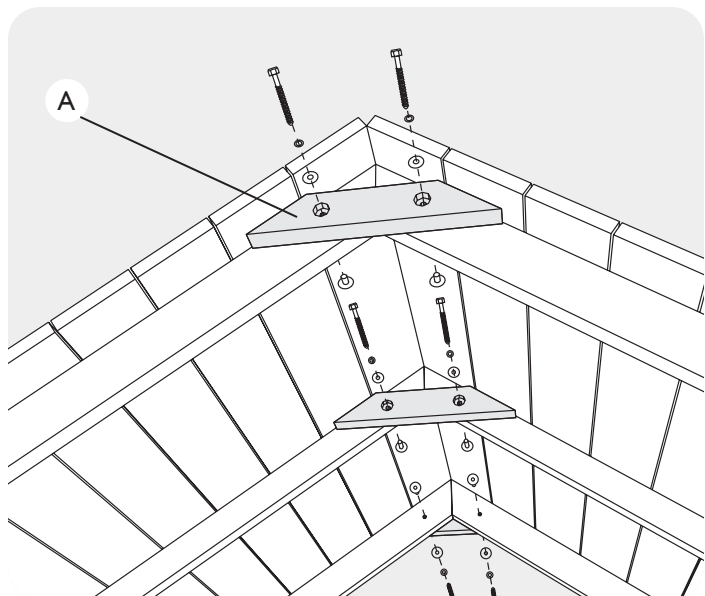
Repeat with the other Roof Panel Assembly.



STEP SIX – Ceiling Joists

Pivot both Roof Assemblies until the ends touch. Adjust the Assemblies so the angled ends are even. With the counter-bored holes facing out, fasten a Ceiling Joist (A) to the outside of the Roof Rafters on each end. Use one 5/16 x 2" Hex Bolt Assembly in each end of each Ceiling Joist.

Fasten the remaining Ceiling Joists to the Roof Rafters of the Roof Assembly. Use 5/16 x 2" Hex Bolt Assemblies in each end of each Ceiling Joist. Tighten the Bolts holding the Roof Assemblies to the Corner Posts.



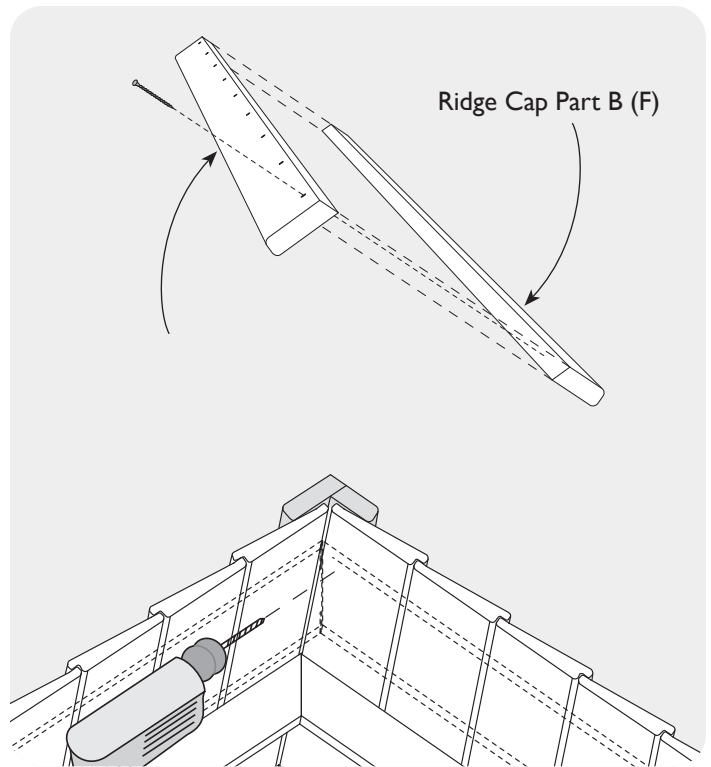
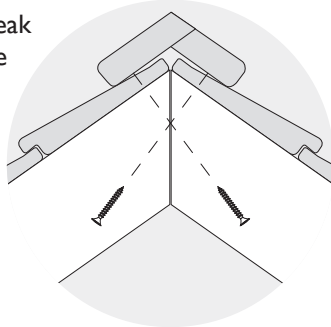
STEP SEVEN – Ridge Cap

Align Ridge Cap Part A (E) overlapping Ridge Cap Part B (F) as shown at right. Ensure that the ends of the Ridge Cap parts align before fastening using #8 x 2" screws. Each screw should pass through Ridge Cap Part A and into Ridge Cap Part B. Leave the screw head flush to the surface of Ridge Cap Part A.

Before putting the Ridge Cap in place, drill a series of 1/8" diameter pilot holes through the top board of each roof panel. The pilot holes should be at least 3" from the end of the roof board and approximately 3/4" from the top edge. Space the pilot holes every 10 to 12 inches.

Put the Ridge Cap in place at the peak of the roof, as shown. The ends of the Ridge Cap should be flush with the ends of the roof.

From inside the Gym, fasten the Ridge Cap using #8 x 1-1/4" screws, through the pilot holes and into the Ridge Cap

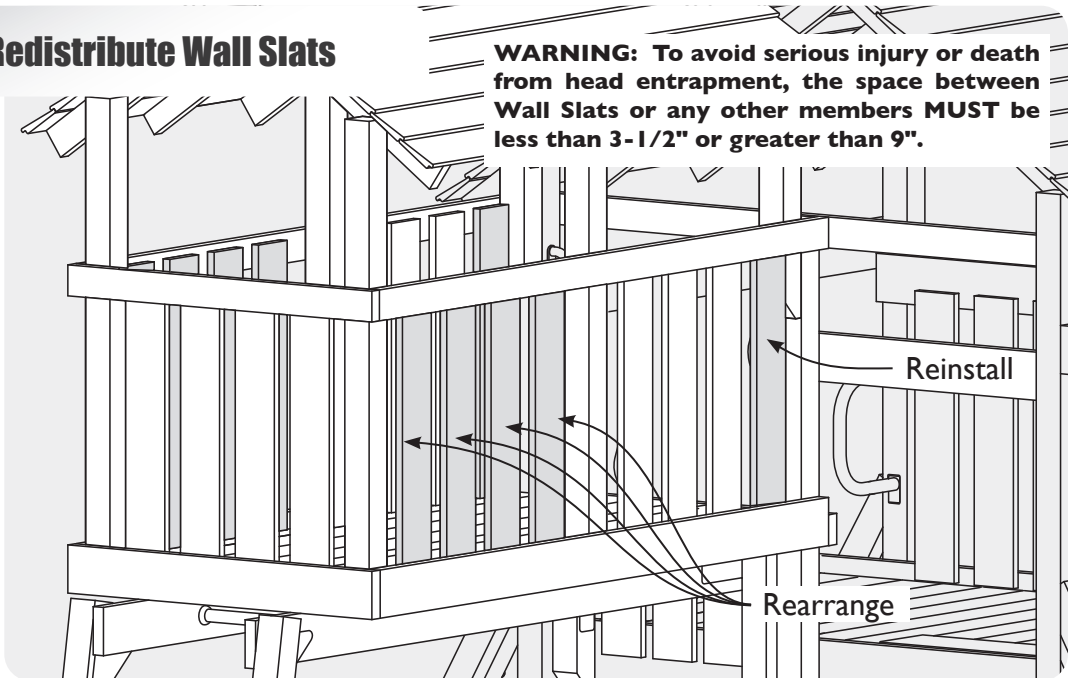


STEP EIGHT – Restore, Redistribute Wall Slats

Restore the Wall Slats closest to the Roof Post Additions as shown. Fasten using the same hardware. Make sure the Slats are snug against the Roof Post Additions. The gap below each Roof Post Addition must be less than 3-1/2" wide.

Remove the four Wall Slats between the right Center Roof Post and the Corner Roof Post. Evenly redistribute the spacing and re-fasten the Wall Slats using the same hardware. The gaps should be approximately 3-1/4".

Repeat with the four Wall Slats on the left side of the Fun Deck.



WARNING: To avoid serious injury or death from head entrapment, the space between Wall Slats or any other members MUST be less than 3-1/2" or greater than 9".

STEP NINE – Hole Caps

Perform a final check to make sure all fasteners have been tightened.

Locate the 1" Hole Caps in the hardware bag. Install Hole Caps into all the counter-bored holes to cover the hardware.

