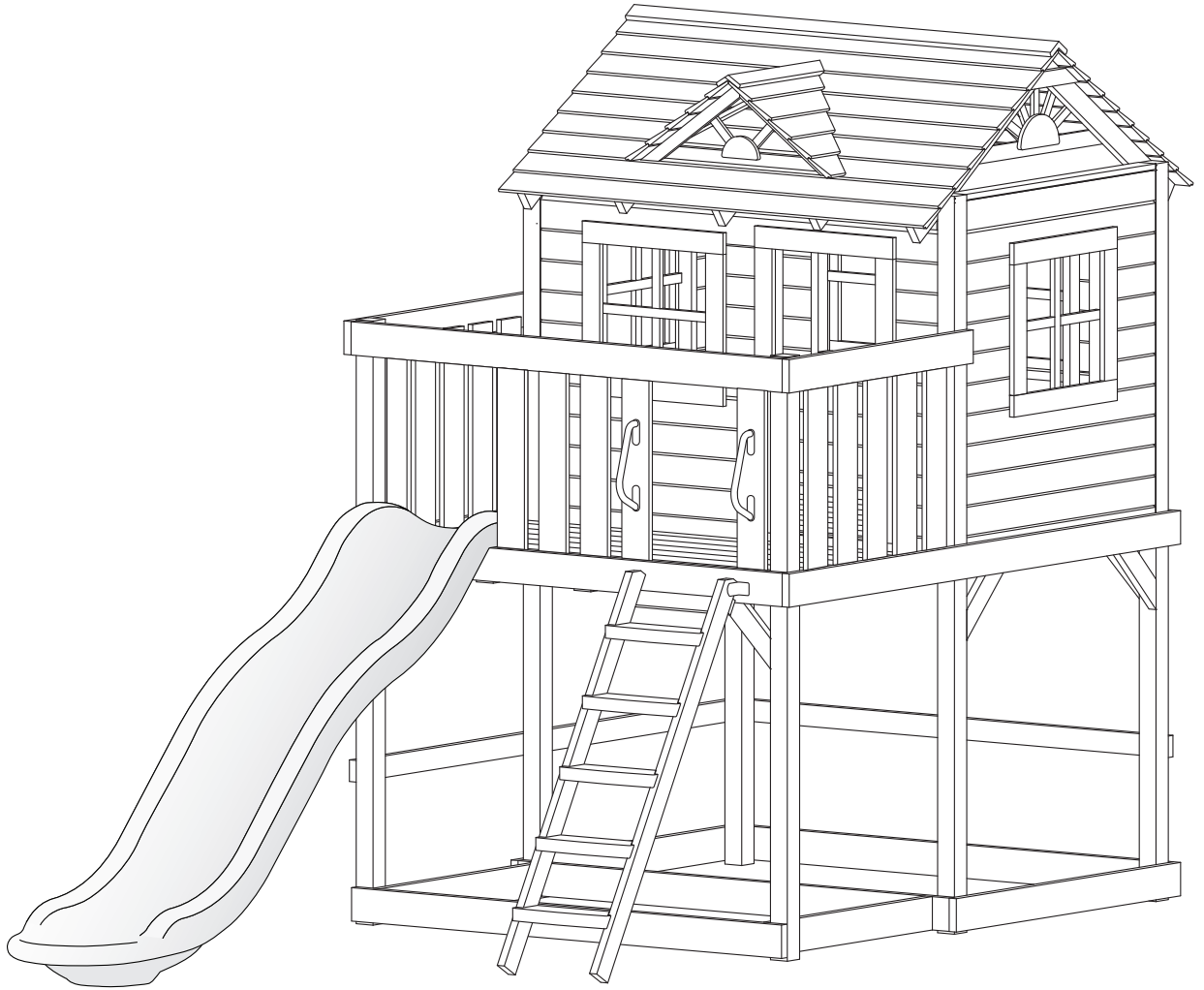


MODEL #SH 6100-000
ASSEMBLY MANUAL

YORKTOWN

[®]
Creative Playthings

The Yorktown gym is built using the frame of the Lexington gym as a base structure. When assembling this gym, set aside the Lexington instructions and follow the steps in this document.



Please read the owner's manual before assembling your play set. It provides additional information on the care and use of your play set. You must carefully read the entire instruction manual before proceeding with the assembly or use of your new play set.

Creative Playthings takes great care to design its products with your child's safety in mind. However, only with careful supervision and proper safety instructions, can you be assured of safe play time on any product designed for children.

This product is intended for single family home/residential use only and not intended for use in any public setting. Placement in any public setting constitutes a misuse of this product.

PLAY SET SAFETY

FOR SAFETY SAKE, PLEASE TAKE TIME TO READ ALL INSTRUCTIONS COMPLETELY AND CAUTION YOUR CHILDREN APPROPRIATELY.

Observing the following statements & warnings reduces the likelihood of serious or fatal injury:

- Children should use equipment only in its intended manner.
- Children should not wear loose or stringed clothing while using playground equipment.
- Children should not play on equipment in wet weather conditions due to potentially slippery surfaces.
- Children should NOT walk too closely in front of, behind, or between moving swings and trapezes.
- Children should NOT swing empty swing seats.
- Children should NOT jump off swings and/or trapeze while they are in motion.
- Children should NOT twist swing chains because this will reduce the strength of the chain and connectors.
- Children should sit in the center of the swings with their full weight on the seats.
- Do not allow children under age 7 to use monkey bars unless supported by an adult.
- Children should NOT be on the top surface of the monkey bars or swing beam.
- On-site adult supervision is required at all times for children of all ages.
- Until assembly is complete, DO NOT let your children use the play set.
- Never fasten anything not approved by Creative Playthings to your play set. Accessories or items not approved by Creative Playthings include; Dog runs, clothes lines, electrical devices, or bird feeders etc.
- Suspended ropes, chains, and cables must be secured at both ends.
- Suspended ropes, chains, and cables must not be capable of looping back on themselves.
- Do not allow more than 120 lbs. on Single occupancy swing accessories such as the Sling Swing and Trapeze.
- Do NOT allow more than 175 lbs. on multiple use swing accessories such as the Back-to-Back Plastic Horse, and Wooden Lawn Swing Glider.
- Do NOT allow more children on the play set than can simultaneously use all the swing stations at one time.
- Children should NEVER wear bicycle helmets while playing on the play set.

Assembly Safety:

- Keep the work area clean and clear of obstructions.
- Children should stay out of the work area until the safe play area is cleared of obstacles, the play set has been completely assembled, all hardware has been tightened and checked, and all tools have been picked up.
- Keep children off the play set until it has been completely assembled.
- Some parts of the assembly process may require help from another competent adult.
- Do not stand on the platform until the play set has been completely assembled, use a step ladder if you can not reach high enough.
- Follow the manufacturers' safety recommendations for the tools and equipment you use.
- Avoid assembling your play set in poor weather conditions.
- Wear proper clothing and safety equipment (safety glasses, boots, and gloves) while assembling your play set.

SAFE PLAY AREA

SELECTING THE CORRECT LOCATION FOR YOUR PLAY PRODUCT IS IMPORTANT FOR YOUR CHILDREN'S SAFETY AND THE PRODUCT'S LONGEVITY.

Play Set Dimensions:

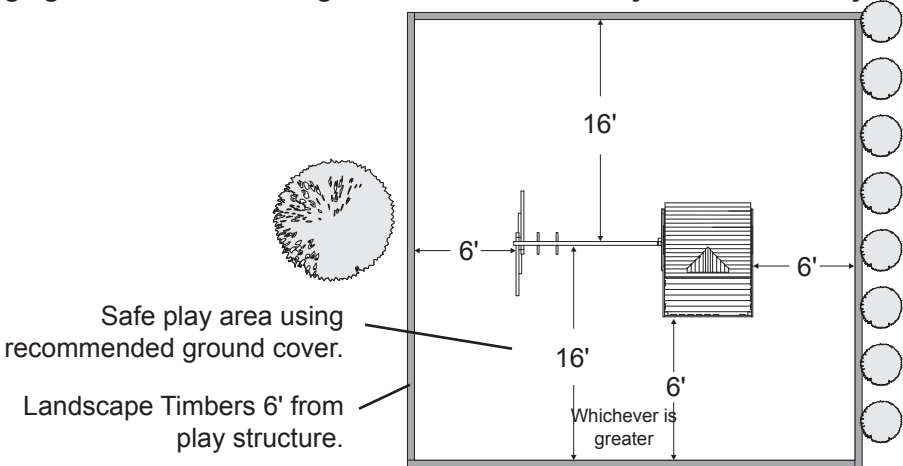
- The Yorktown play set has ground dimensions of 7'-3" x 8'-8" (Swing Accessories not included).
- The Yorktown play set requires a level ground surface of 19'-3" x 20'-8" for a Safe Play Area (Swing Accessories not included).
- Additional accessories may increase the size of the Safe Play Area.
- The maximum fall height for your Yorktown is 87" as measured from the top of the 7 foot swing beam.

Safe Play Area:

- The Safe Play Area refers to a zone extending 6' beyond the play set on all sides, including the slide and the space above the play set. Because children may deliberately jump from a moving swing, the Safe Play Area must be extended to 14' in front of and behind a swinging accessory.
- The ground surface must be level. Installing your play set on sloping ground can cause it to lean or "rack". This leaning puts additional stress on all connections and joints and in time will cause those connections to loosen and fail.
- The Safe Play Area must be free of all structures, landscaping, trees and branches, rocks, wires, and other obstacles to safe play. Children can be seriously injured running, or swinging into these obstacles.
- Remove all tripping hazards from the Safe Play Area. Tripping hazards include; roots, stumps, rocks, landscaping, sprinkler heads, railroad ties, plumbing and electrical connections.
- Do not install your play set over concrete, gravel, asphalt, packed earth, or any other hard surface. The following is a list of recommended ground covers from the Consumer Product Safety Commission.

RECOMMENDED GROUND COVER	
Suggested Material	Uncompressed Depth
Double Shredded Bark Mulch	9"
Uniform Wood Chips	12"
Fine Gravel	12"
Fine Sand	12"

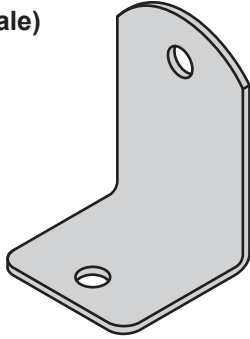
- Any edging used to contain the ground cover must be beyond the Safe Play Area. (i.e.. Landscape Timbers)



A FALL ONTO A HARD SURFACE COULD RESULT IN SERIOUS INJURY.

HARDWARE

Access Ladder Bracket
(Not to Scale)



Screw #8 x 1-1/4"



Screw #10 x 1-5/8"



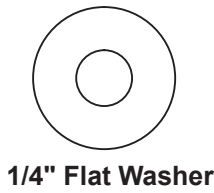
Screw #8 x 2"



Screw #10 x 2"



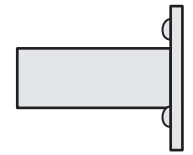
Screw #10 x 2-1/2"



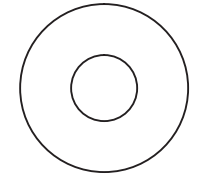
1/4" Flat Washer



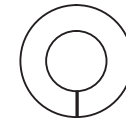
1/4" Lock Washer



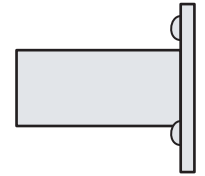
1/4" Weld Nut



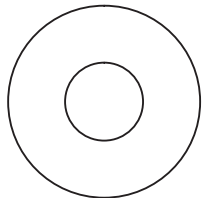
5/16" Flat Washer



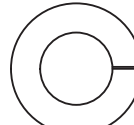
5/16" Lock Washer



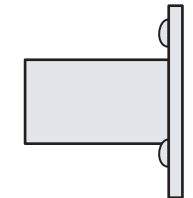
5/16" Weld Nut



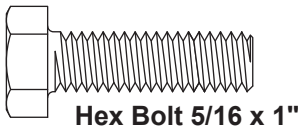
3/8" Flat Washer



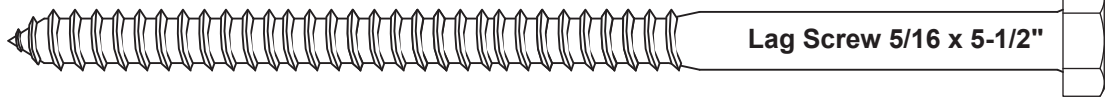
3/8" Lock Washer



3/8" Weld Nut



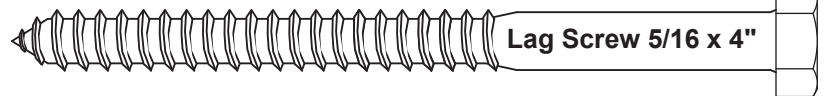
Hex Bolt 5/16 x 1"



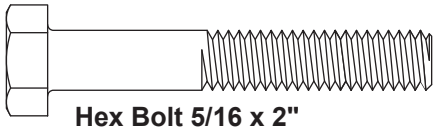
Lag Screw 5/16 x 5-1/2"



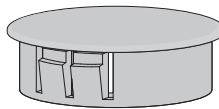
Hex Bolt 5/16 x 1-1/2"



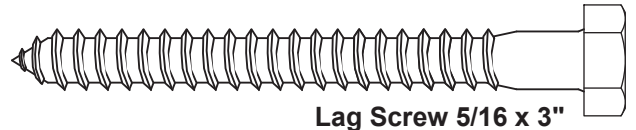
Lag Screw 5/16 x 4"



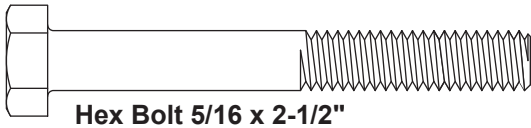
Hex Bolt 5/16 x 2"



1" Hole Cap



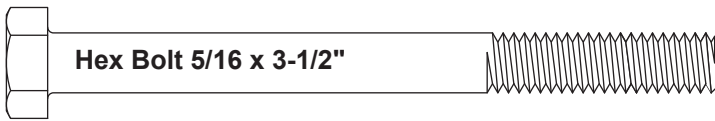
Lag Screw 5/16 x 3"



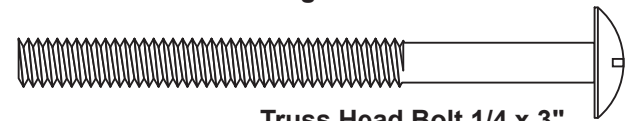
Hex Bolt 5/16 x 2-1/2"



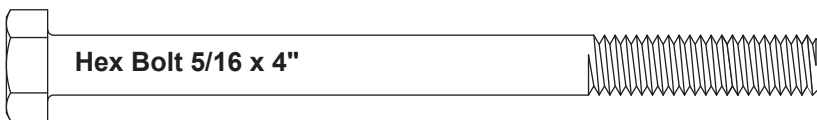
Lag Screw 5/16 x 2-1/2"



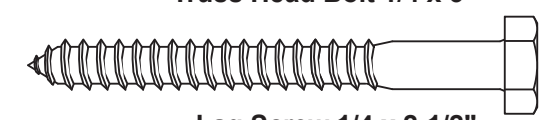
Hex Bolt 5/16 x 3-1/2"



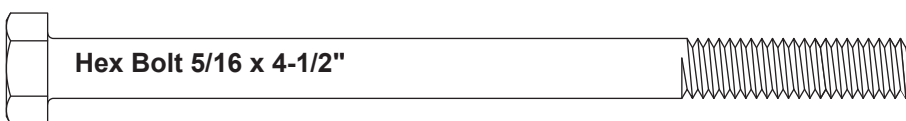
Truss Head Bolt 1/4 x 3"



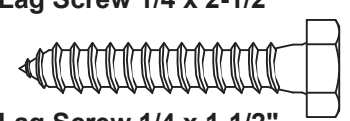
Hex Bolt 5/16 x 4"



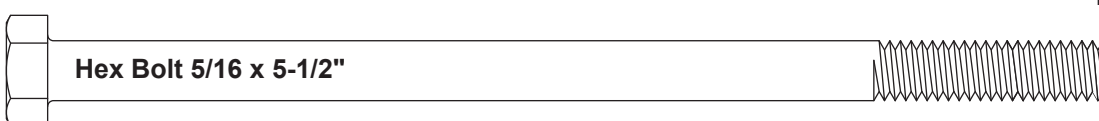
Lag Screw 1/4 x 2-1/2"



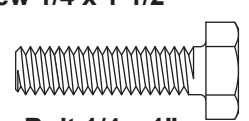
Hex Bolt 5/16 x 4-1/2"



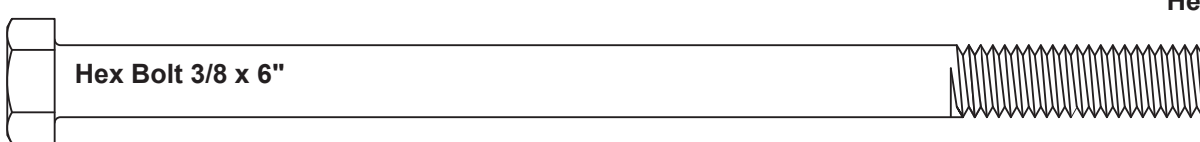
Lag Screw 1/4 x 1-1/2"



Hex Bolt 5/16 x 5-1/2"



Hex Bolt 1/4 x 1"



Hex Bolt 3/8 x 6"

All hardware on this set is specially coated for corrosion resistance. If non-Creative Playthings hardware is used, it **MUST** be galvanized or stainless steel.

HARDWARE / PRE-ASSEMBLY

50490-700 Hardware, Yorktown	
5	14161-400 Access Ladder Bracket
1	50490-701 1/4" Hardware Bag
38	12002-205 Flat Washer 1/4"
21	17036-601 Lag Screw 1/4 x 1-1/2"
8	17036-1001 Lag Screw 1/4 x 2-1/2"
1	50490-702 Screw Bag
44	17020-106 Screw #10 x 1-5/8"
28	17020-113 Screw #10 x 2-1/2"
1	50490-703 5/16" Washer Bag
25	12002-206 Flat Washer 5/16"
20	12017-206 Lock Washer 5/16"
1	50490-704 5/16" Weld Nut Bag
20	17001-105 Weld Nut 5/16"
1	50490-705 5/16" Bolt Bag
2	17003-411 Hex Bolt 5/16 x 1"
7	17003-611 Hex Bolt 5/16 x 1-1/2"
3	17003-1411 Hex Bolt 5/16 x 3-1/2"
4	17003-1611 Hex Bolt 5/16 x 4"
10	17003-2211 Hex Bolt 5/16 x 5-1/2"
6	17036-1202 Lag Screw 5/16 x 3"
5	17036-2202 Lag Screw 5/16 x 5-1/2"
1	50490-706 3/8" Hardware Bag
2	12002-207 Flat Washer 3/8"
2	12017-207 Lock Washer 3/8"
3	17001-103 Weld Nut 3/8"
2	17003-2413 Hex Bolt 3/8 x 6"

1	50490-708 Screw Bag
66	17020-107 Screw #10 x 2"
1	50490-707 Hole Cap Bag
22	15081-704 1" Hole Cap
50334-700 Hardware Bag SP	
2	14161-400 Access Ladder Bracket
1	50334-701 1/4" Hardware Bag
8	17001-104 Weld Nut 1/4"
4	12017-205 Lock Washer 1/4"
4	12002-205 Flat Washer 1/4"
4	17003-409 Hex Bolt -1/4 x 1"
4	17119-1209 Truss Head Bolt 1/4 x 3"
1	50334-702 5/16" Weld Nut Bag
66	17001-105 Weld Nut 5/16"
1	50334-103 5/16" Washer Bag
66	12017-206 Lock Washer 5/16"
84	12002-206 Flat Washer 5/16"
1	50334-704 5/16" Bolt Bag
4	17003-611 Hex Bolt 5/16 x 1-1/2"
8	17003-1011 Hex Bolt 5/16 x 2-1/2"
50	17003-1611 Hex Bolt 5/16 x 4"
4	17003-2211 Hex Bolt 5/16 x 5-1/2"
1	50334-705 Screw Bag
106	17020-105 Screw #10 x 1-5/8"
17	17020-107 Screw #10 x 2"
4	17020-113 Screw #10 x 2-1/2"

10	17036-1202 Lag Screw 5/16 x 3"
6	17036-1602 Lag Screw 5/16 x 4"
1	50345-706 Deck Screw Bag
90	17020-107 Screw #10 x 2"
1	50345-100 Hole Cap Pack
94	15081-704 1" Hole Cap

50347-701 Hardware, Wood Roof	
20	17001-105 Weld Nut 5/16"
20	12002-206 Flat Washer 5/16"
20	12017-206 Lock Washer 5/16"
10	17003-811 Hex Bolt 5/16 x 2"
4	17003-1611 Hex Bolt 5/16 x 4"
6	17003-1811 Hex Bolt 5/16 x 4-1/2"
4	17020-107 Screw #10 x 2"
1	50437-700 Hardware, Ridge Cap
18	17025-104 Screw #8 x 1-1/4"
9	17020-112 Screw #8 x 2"
50457-700 Hardware, Clubhouse	
32	12002-206 Flat Washer 5/16"
8	15081-904 1" Hole Cap
24	17036-1002 Lag Screw 5/16 x 2-1/2"
10	17036-1202 Lag Screw 5/16 x 3"

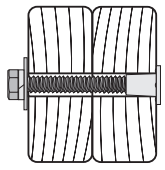
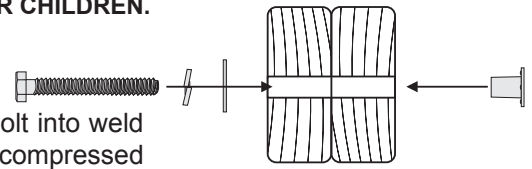
We have packaged more hardware than is required for assembly.

CREATIVE PLAYTHINGS PLAY SETS USE A FEW STANDARD CONNECTIONS. BECOMING FAMILIAR WITH THESE CONNECTIONS WILL SIMPLIFY ASSEMBLY AND INSURE A SAFER PLAY PRODUCT FOR YOUR CHILDREN.

Hex Bolt & Weld Nut Assembly Procedure:

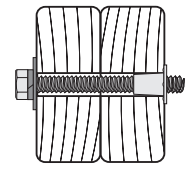
Assembly Layout:

Align the holes in the parts to be fastened. Start preliminary tightening of bolt into weld nut by hand. Tighten each bolt with a wrench until the lock washer is fully compressed between the head of the bolt and the flat washer.



Correct Assembly:

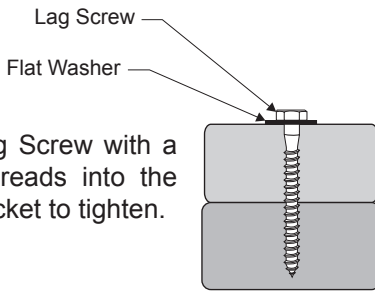
Bolt has been screwed securely into weld nut and the connection is tight. Check connections periodically for tightness during the life of the play set. **Do not over tighten.**



Incorrect Assembly:

If, during assembly or maintenance the bolt protrudes 1/8" past the weld nut, you may be overtightening or using the wrong size bolt. Call customer service or replace the bolt at a local hardware store. **Failure to replace this bolt with a shorter one could result in serious injury.**

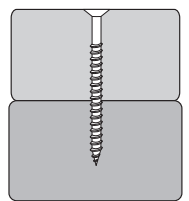
Typical Installation - Lag Screws:



- Tap the head of the Lag Screw with a hammer to start the threads into the wood and then use a socket to tighten.
- DO NOT over tighten

Typical Installation - Wood Screws:

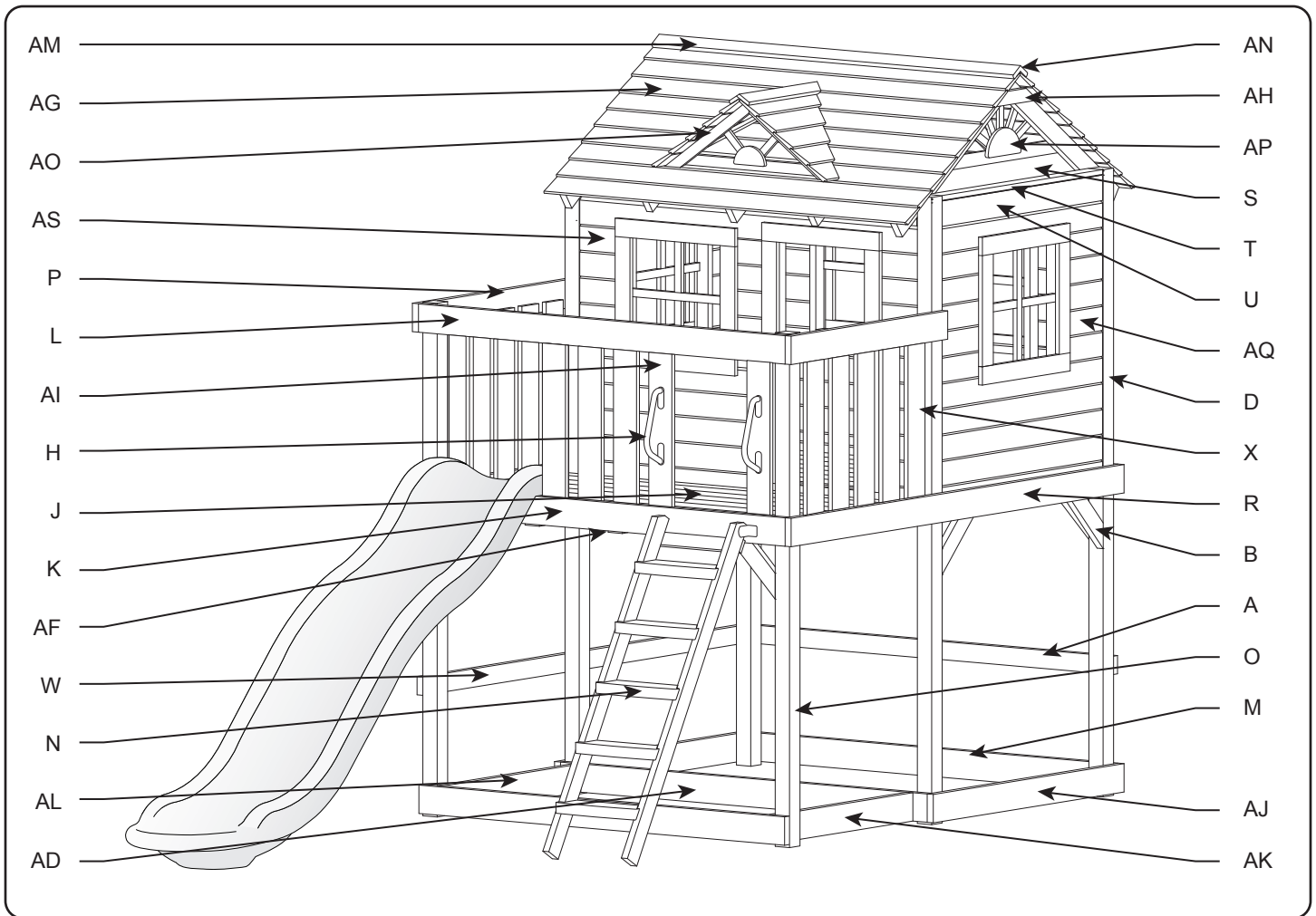
- Use an electric drill or screw gun to drive screws.
- Drill pilot holes where needed.
- We recommend to lubricate the threads of the screws with beeswax or soap to minimize breaking screws.
- **It is very important the tops of all screws are flush with the surface of the wood and there are no protruding sharp edges.**






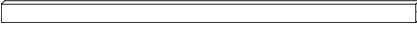
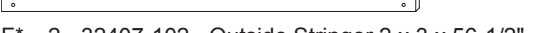
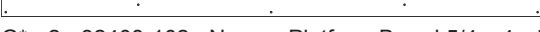
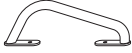
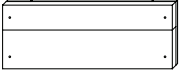
PLAY SET VIEW

Component Part Identification:





Take inventory of all parts, making sure nothing is missing.



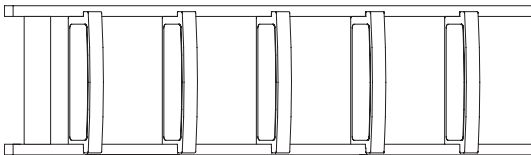
63007-421 LEXINGTON BOX 1

-  A 1 31465-102 Safety Rail 2 x 4 x 83-1/4"
-  B 8 31682-102 Angle Brace 2 x 4 x 17-1/4"
-  D 4 32405-102 Corner Post 4 x 4 x 116"
-  E* 3 32406-102 Inside Stringer 2 x 3 x 56-1/2"
-  F* 2 32407-102 Outside Stringer 2 x 3 x 56-1/2"
-  G* 2 32408-102 Narrow Platform Board 5/4 x 4 x 76-3/4"
-  H 2 14179-400 Deluxe Hand Grip, Green
-  I* 1 40658-102 Slide Mount
- 1 50334-700 Hardware Bag, SP (2005)
- 1 50345-100 Hole Cap Pack

63007-422 BOX 2

-  J 9 32409-102 Platform Board 5/4 x 6 x 83-1/4"
-  K 2 32411-102 Platform Side 2 x 6 x 83-1/4"
-  L 2 32413-102 Side Wall Support 2 x 6 x 83-1/4"
-  M 2 32414-102 Sandbox Side 2 x 6 x 83-1/4"

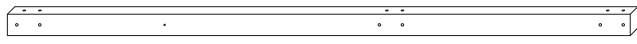




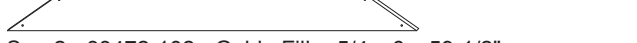
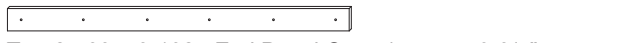

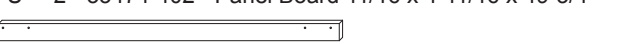
LADDER

-  N 1 40422-102 Access Ladder Assembly






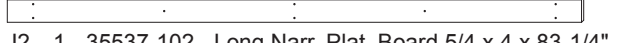
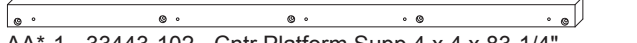
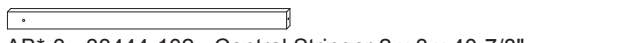


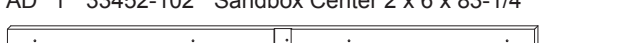
If you find that parts are missing or defective call Creative Playthings Customer Service at 1-800-598-4997

* Not visible in illustration on Page 6

63062-211 YORKTOWN BOX 1

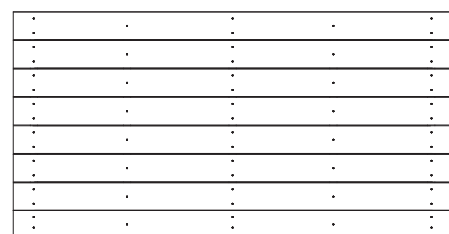


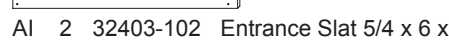
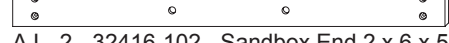
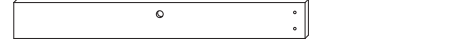
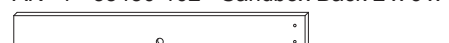
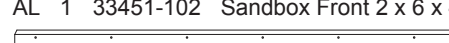
-  O 2 33445-102 Porch Corner Post 4 x 4 x 95"
-  P 2 33447-102 Porch End Wall Support 2 x 6 x 48-5/8"
-  Q* 1 33529-102 Platform Front 2 x 6 x 103-3/8"
-  R 1 33530-102 Platform Back 2 x 6 x 103-3/8"
-  S 2 33472-102 Gable Filler 5/4 x 6 x 59-1/2"
-  T 2 33473-102 End Panel Cap 5/4 x 4 x 49-3/4"
-  U 2 33474-402 Panel Board 11/16 x 4-11/16 x 49-3/4"
-  V* 4 33476-102 Panel Frame 2 x 3 x 49-3/4"
-  W 1 33478-102 Safety Rail 2 x 4 x 100-1/2"
- 1 50490-700 Hardware Pack, Yorktown-Ridgefield

63062-222 YORKTOWN BOX 2

-  X 13 32404-102 Wall Slat 5/4 x 6 x 31-1/2"
-  Y 4 33475-102 Panel Block 1-3/8 x 1-15/16 x 6"
-  G* 1 32408-102 Narrow Platform Board 5/4 x 4 x 76-3/4"
-  J 6 32409-102 Platform Board 5/4 x 6 x 83-1/4"
-  J2 1 35537-102 Long Narr. Plat. Board 5/4 x 4 x 83-1/4"
-  AA* 1 33443-102 Cntr Platform Supp 4 x 4 x 83-1/4"
-  AB* 3 33444-102 Central Stringer 2 x 3 x 40-7/8"
-  AC* 2 33446-102 End Stringer 2 x 3 x 40-3/4"
-  AD 1 33452-102 Sandbox Center 2 x 6 x 83-1/4"
-  AE* 2 33471-102 Panel Cap 2 x 4 x 76-3/4"
-  AF 3 33531-102 Stringer Flange 5/4 x 4 x 95"
- 1 19794-300 Instructions, Yorktown

COMPONENT PARTS

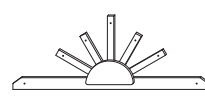
63062-301 YORKTOWN WOOD ROOF

-  AG 2 40528-102 Roof Assembly
-  AH 5 31818-102 Ceiling Joist 2 x 3 x 15"
-  AI 2 32403-102 Entrance Slat 5/4 x 6 x 31-1/2"
-  AJ 2 32416-102 Sandbox End 2 x 6 x 59-1/4"
-  AK 1 33450-102 Sandbox Back 2 x 6 x 42-5/8"
-  AL 1 33451-102 Sandbox Front 2 x 6 x 42-5/8"
-  AM 1 32847-402 Ridge Cap Pt A, 5/4 x 3-5/32 x 82-1/4"
-  AN 1 32848-402 Ridge Cap Pt B, 5/4 x 2-9/32 x 82-1/4"
- 1 50347-701 Hardware, Wood Roof

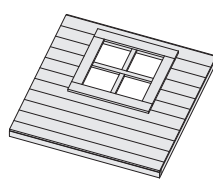
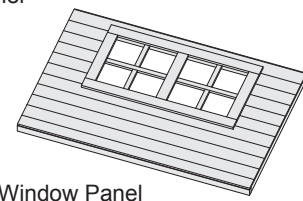
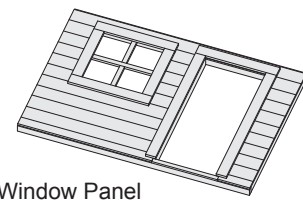
DORMER

-  AO 1 SM963-402 Dormer (un-assembled)

FAN

-  AP 1 SM964-402 Gable End Fan, Pair

CLUBHOUSE PANELS

-  AQ 2 40456-402 End Panel
-  AR* 1 40459-402 Double Window Panel
-  AS 1 40460-402 Door & Window Panel

MAINTENANCE INSTRUCTIONS

**YOUR CREATIVE PLAYTHINGS PLAY SET IS STAINED AT OUR FACTORY.
STAINING IS NOT NEEDED AT THE TIME OF INITIAL ASSEMBLY.**

Re-staining Information:

- Pigmented, exterior, water repellent stains are recommended and will provide an excellent barrier against moisture without hiding the natural wood grain or leaving a film that may later crack or peel.
- We recommend that you apply stain according to the instructions and precautions recommended by the stain manufacturer.
- It should take three or more quarts to cover your set.
- Contact your local dealer or call Creative Playthings for our staining products.
- All rungs are pre-finished at the factory and do not require any finishing at the time of initial assembly.
- Do not paint, or varnish rungs or steps.
- Avoid using finishes that create slippery surfaces.

Maintenance:

- Wooden playground equipment will last for years with proper maintenance. Maintenance of the play set finish will vary depending on weather climate.
- As a safety precaution, check all hardware for tightness twice a month during use and at the beginning of each play season. Tighten as required and specified in these instructions. Do not over tighten.
- Check structure twice monthly during usage for any evidence of deterioration. If upon inspection, hardware has sharp edges, rusted or structural pieces have signs of premature failure; replace them through Creative Playthings Customer Service.
- Oil all metallic moving parts monthly during the usage season.
- The swings, trapeze, tent, rope ladders, and any other removable plastic accessories should be removed and taken indoors when outside temperatures drop below 32° F (0° C).
- Wood will expand and contract as it adjusts to temperature changes and varying moisture conditions. Checks or cracks are a natural characteristic of all wood and will not affect the strength or durability of the wooden components.
- To maintain the finish of your set, a light sanding and an application of an exterior stain will repair scratches and prevent wood from aging prematurely.
- Finishes applied to ladder rungs must not create a slippery surface. Never varnish or paint! When refinishing rungs, sand lightly and use an exterior stain or boiled linseed oil.
- The wood parts of your play set should never be disposed of by burning.
- Dispose of all parts so as not to create a hazard.

Tools & Materials Suggested for Finishing & Assembly:

- Claw Hammer
- Carpenter's Level
- Box Wrench or Sockets (7/16", 1/2", and 9/16")
- Electric Drill
- 1/8", 3/16", 1/4", 3/8", & 7/16" Drill Bits (High Speed)
- Screwdriver (Medium Phillips)
- Locking Pliers
- 10 ft. Tape Measure
- Framing Square
- 6 ft. Step Ladder
- Beeswax or Soap (Used to lubricate screw threads)

ASSEMBLY INSTRUCTIONS

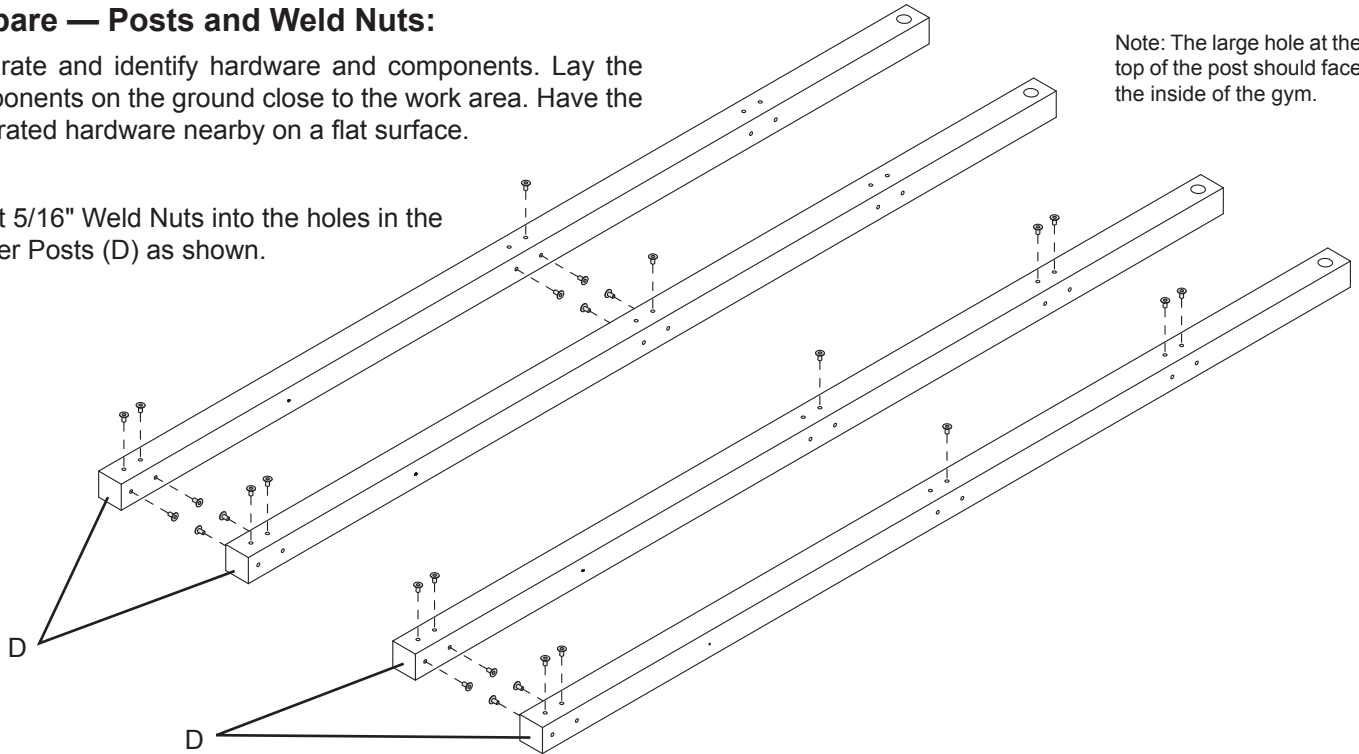
The Yorktown gym is built using the frame of the Lexington gym as a base structure. When assembling this gym, set aside the Lexington instructions and follow the steps in this document.

Prepare — Posts and Weld Nuts:

Separate and identify hardware and components. Lay the components on the ground close to the work area. Have the separated hardware nearby on a flat surface.

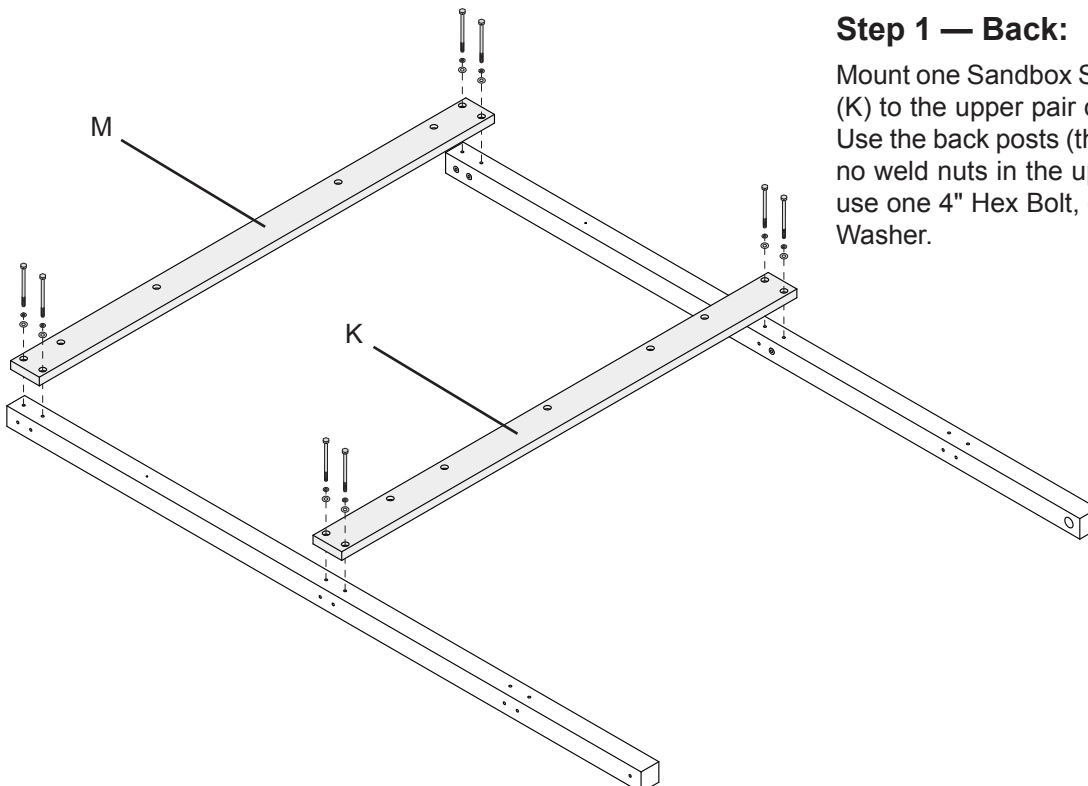
Insert 5/16" Weld Nuts into the holes in the Corner Posts (D) as shown.

Note: The large hole at the top of the post should face the inside of the gym.



Step 1 — Back:

Mount one Sandbox Side (M) and one Platform Side (K) to the upper pair of Corner Posts shown above. Use the back posts (the two upper Posts shown with no weld nuts in the upper holes). Each hole should use one 4" Hex Bolt, one lock washer, and one Flat Washer.

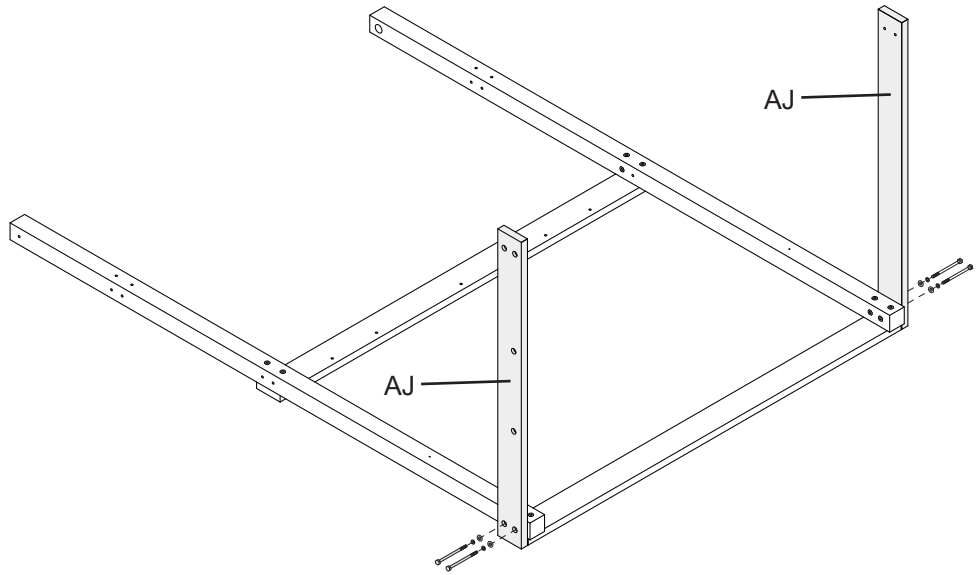


ASSEMBLY INSTRUCTIONS

Step 2 — Sandbox Ends:

Flip the construct from the last step onto its back. Position the two Sandbox Ends (AJ) as shown. The counter-bored holes at each end should face the outside of the gym and be offset to the bottom of the board.

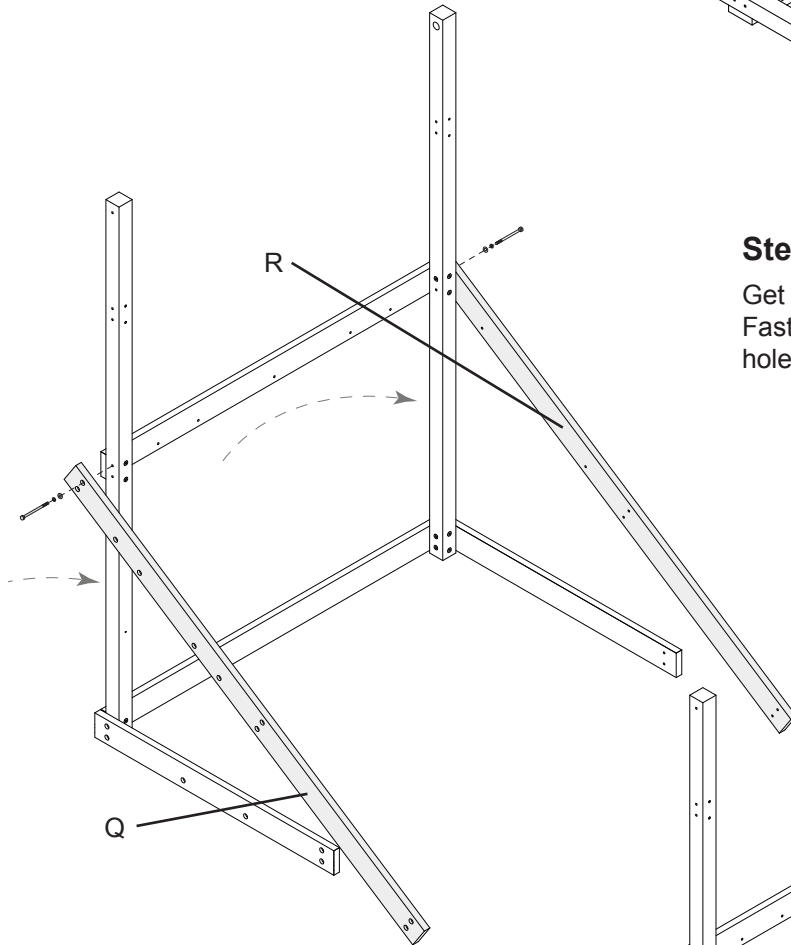
Use one 4" Hex Bolt, one lock washer, and one Flat Washer for each hole.



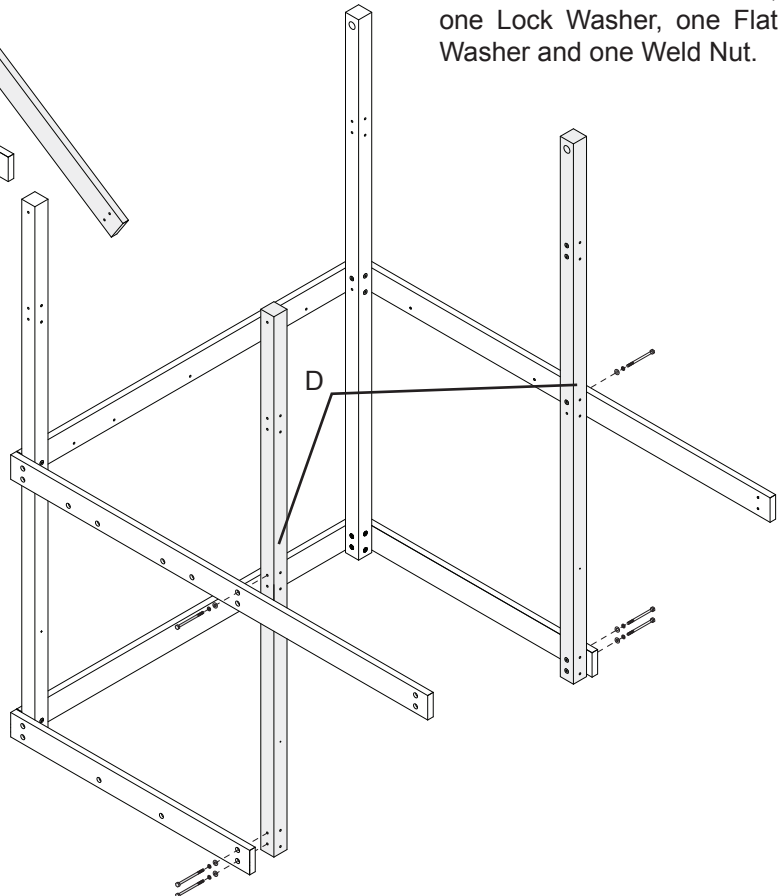
Step 3 — Side Supports and Posts:

Get both the Platform Front (Q) and the Platform Back (R). Fasten using one 5/16 x 4" Hex Bolt assembly in each top hole, as shown.

Note: A Hex Bolt Assembly consists of one Hex Bolt, one Lock Washer, one Flat Washer and one Weld Nut.



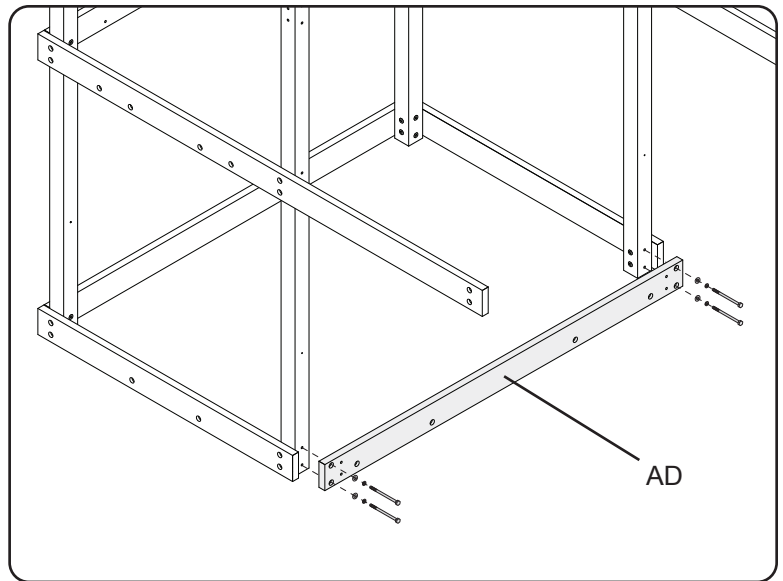
Fasten the remaining Corner Posts (D) to the Platform Front & Back using 5/16 x 4" Hex Bolt Assemblies in the top holes. Fasten the bottom of Posts to the Sandbox Ends using two 5/16 x 4" Hex Bolt Assemblies each.



ASSEMBLY INSTRUCTIONS

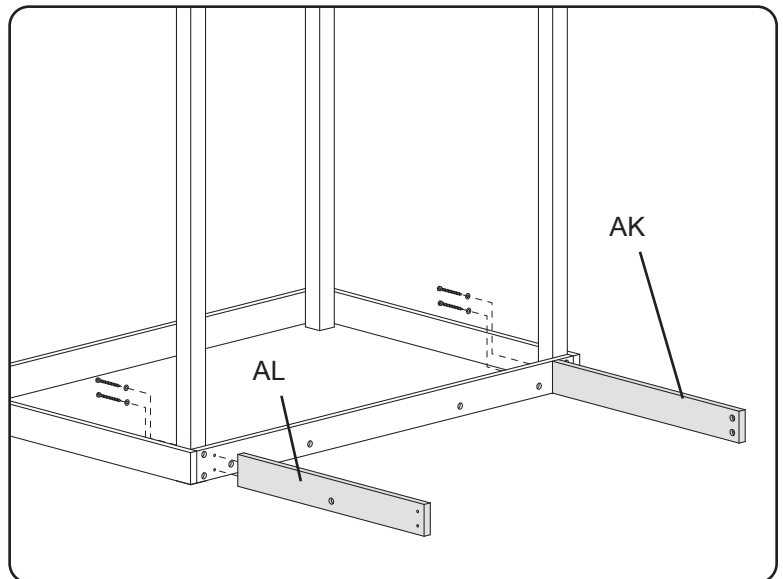
Step 4 — Porch Sandbox:

Fasten the Sandbox Center (AD) to the outside of the Corner Posts, in the position shown, using two 5/16 x 4" Hex Bolt Assemblies through the holes on each end.



Position the Sandbox Front (AL) and Sandbox Back (AK) as shown. The counter-bored holes at one end should face the inside of the gym. The hole at the center should face the outside of the gym and be offset to the bottom of the board.

Fasten each to the Sandbox Center using four 5/16 x 3" Lag Screws with four 5/16" Flat Washers. Pass each Lag Screw through a Flat Washer, then through a hole in the Sandbox Center, and into the appropriate pilot hole in the end of the Sandbox Front or Back.

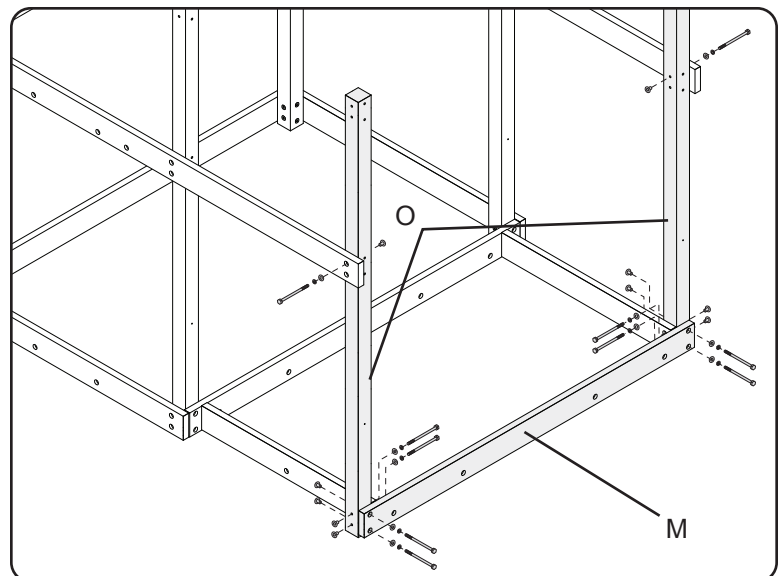


Step 5 — Sandbox Side & Porch Posts:

Fasten the two Porch Corner Posts (O) to the Front and Back Sandbox Ends using four 5/16 x 4" Hex Bolt Assemblies as shown.

Fasten the remaining Sandbox Side (M) to the Porch Corner Posts using four 5/16 x 4" Hex Bolt Assemblies.

Fasten the two Porch Corner Posts to the Platform Front and Platform Back using one 5/16 x 4" Hex Bolt Assemblies in the top hole of each.

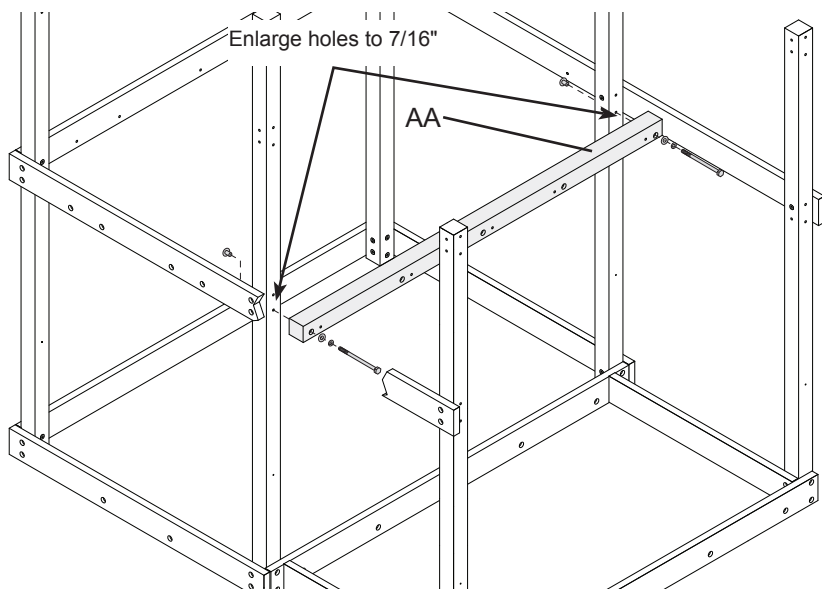


ASSEMBLY INSTRUCTIONS

Step 6 — Center Platform Support:

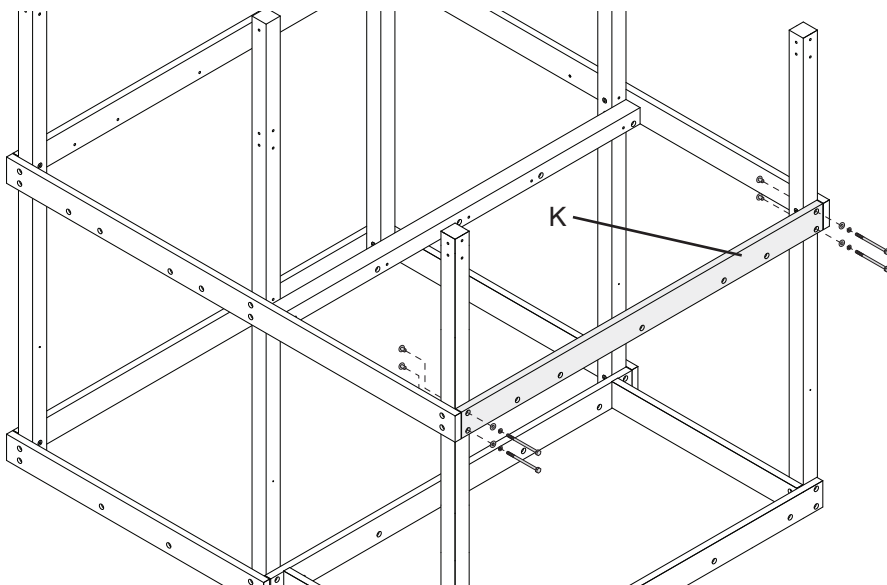
Note the position the Center Platform Support (AA) at right. With a 7/16" diameter drill, enlarge the holes indicated in the appropriate Posts.

Fasten the Center Platform Support to the porch side of the central Posts using two 3/8 x 6" Hex Bolt Assemblies. Make sure that the holes in the Center Platform Support are offset to the bottom of the board.



Step 7 — Platform Side:

Fasten the Platform Side (K) to the outside of the Porch Corner Posts, in the position shown, using 5/16 x 4" Hex Bolt Assemblies through the holes on each end.

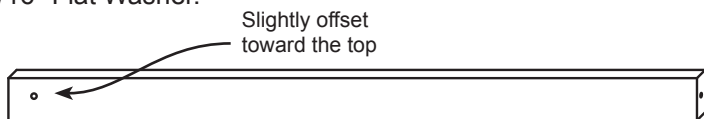
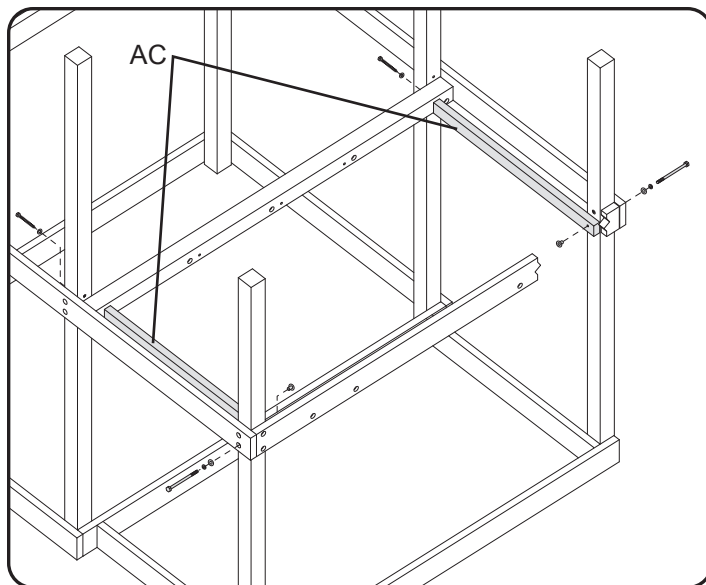


Step 8 — Porch End Stringers:

Locate the two End Stringers (AC). Be sure not to confuse them with the three Central Stringers which have a hole farther from the end.

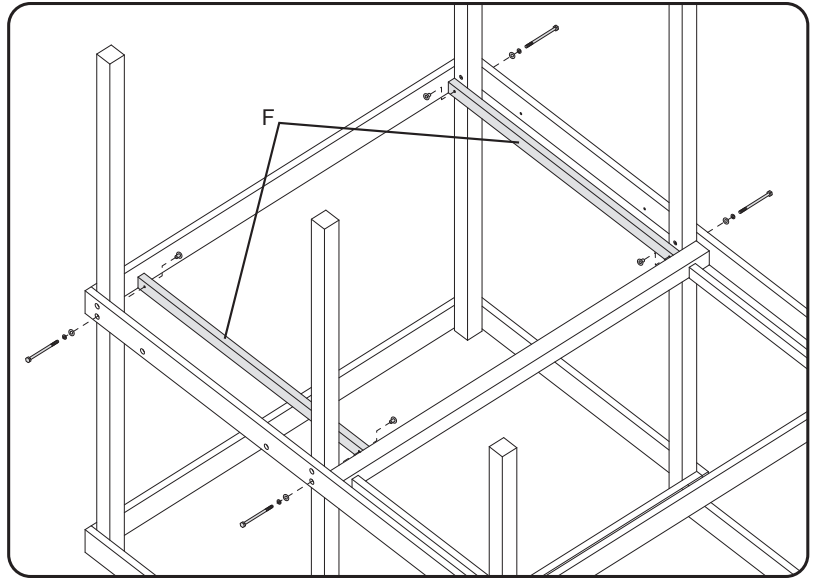
Fasten the End Stringers to the Porch Corner Posts as shown, using 5/16 x 5-1/2" Hex bolt Assemblies. The fastener should pass through the lower hole in the Platform Front or Back, the Post, and then the end of the Porch End Stringers. Note the hole should be slightly offset toward the top of the board.

Fasten the opposite end of each End Stringer to the Center Platform Support using one 5/16 x 5-1/2" Lag Screw and one 5/16" Flat Washer.



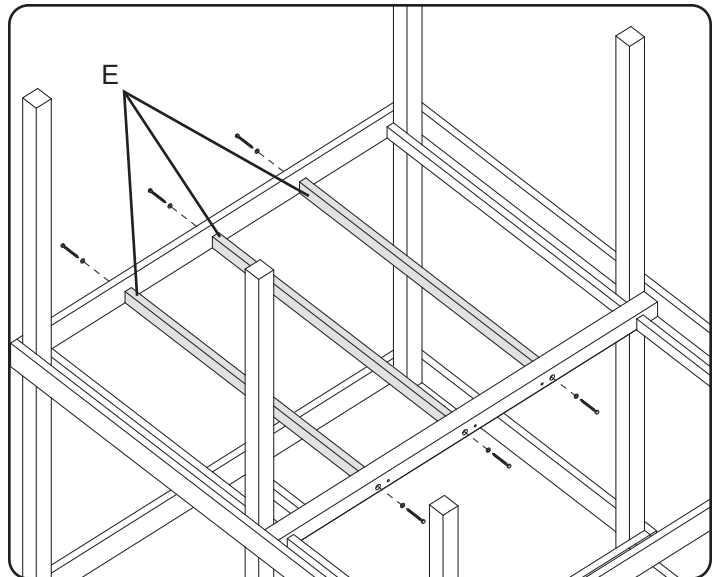
Step 9 — Outside Stringers:

Install the Outside Stringers (F) to the inside of the front and rear Posts on the main tower. Attach each Outside Stringer using two 5/16 x 5-1/2" Hex Bolt Assemblies as shown. The Hex Bolt should start from the outside of the Gym. Push each bolt through the bottom hole in the Platform Front or Back and the Posts before passing through the Outside Stringer. Make sure the platform ends and Outside Stringers are aligned across their bottom edges. (The holes in the Outside Stringers are offset from the center of the board; you may have to flip the board to achieve proper alignment.)



Step 10 — Inside Stringers:

Locate the three Inside Stringers (E). Install the Inside Stringers between the Left Platform Support and the Center Platform Support. Fasten each Inside Stringer using 5/16 x 4" Lag Screws and Flat Washers through the Left Platform Support and 5/16 x 5-1/2" Lag Screws and Flat Washers through the Center Platform Support as shown.

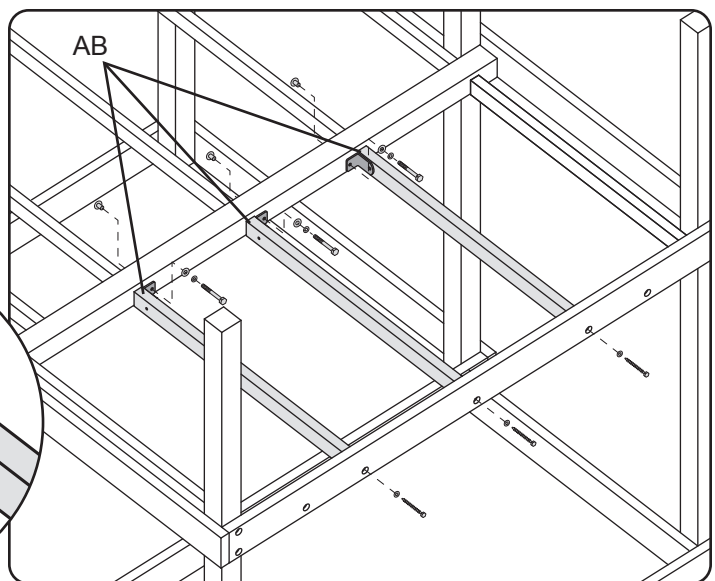
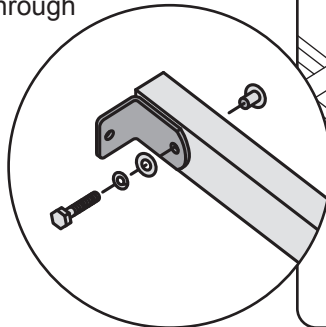


Step 11 — Porch Central Stringers:

Fasten an Access Bracket to the end of each Central Stringer (AB) using a 5/16 x 1-1/2" Hex Bolt Assembly as shown.

Fasten the Access Brackets to the Central Platform Support using 5/16 x 3-1/2" Hex Bolt Assemblies.

Attach the opposite end of the Central Stringers using 5/16 x 4" Lag Screws and Flat Washers through the Right Platform Side.



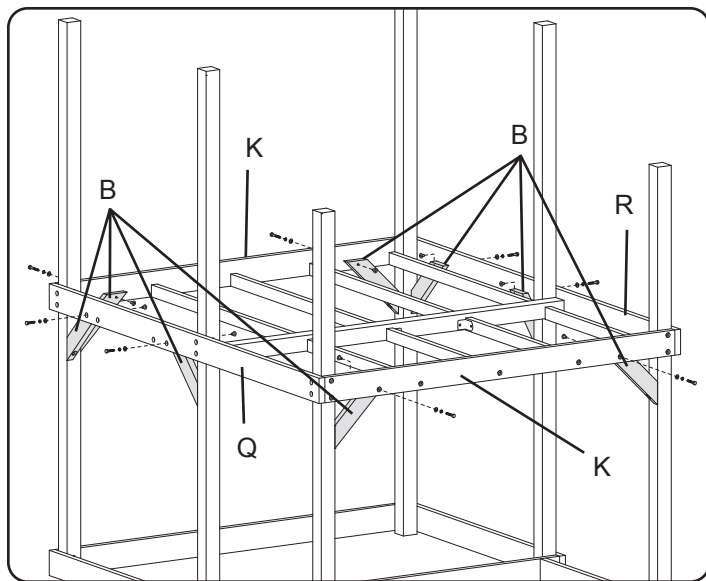
ASSEMBLY INSTRUCTIONS

Step 12 — Angle Braces:

Fasten an Angle Brace (B) to each end of both Platform Sides (K) using four 5/16 x 2-1/2" Hex Bolt Assemblies. Do not tighten these bolts yet. The Angle Braces (B) should be fastened so that the angled end is flat against the Corner Post nearest to it.

Fasten two Angle Braces each to both the Front and Back Platform Support (Q & R), in the positions shown, using four 5/16 x 2-1/2" Hex Bolt Assemblies. Do not tighten these bolts yet. The Angle Braces should be fastened so that the angled end is flat against the nearest Post.

Note: There will be two extra holes in both the Platform Front and Platform Back that will not be used on the Yorktown assembly. Use Hole Caps to cover the extra holes.

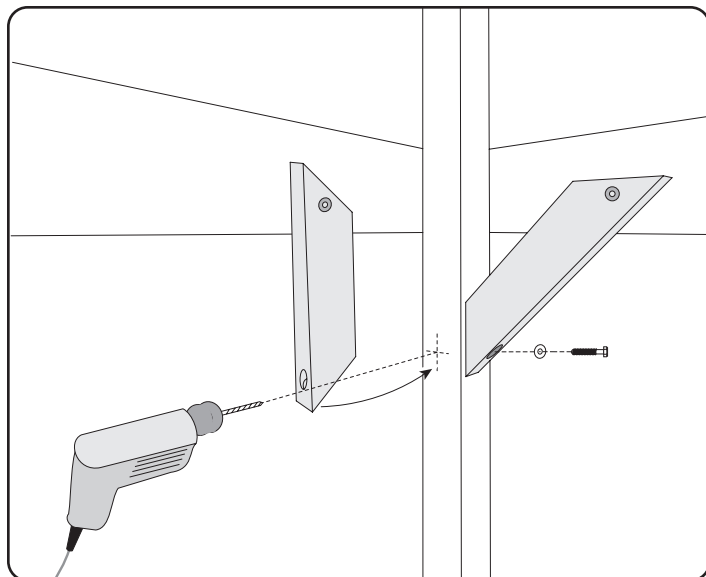


Step 13 — Angle Braces (continued.):

Level the play set. Plumb the Posts. Tighten all connections except the Angle Braces. Do not over tighten.

Position all of the Angle Braces with the angled ends flat against the Post nearest to each. With a pencil, mark the position where the holes in the Angle Braces rest against the Posts. At each mark drill a 3/16" diameter x 2" pilot hole in the Posts. Fasten the Angle Braces to the Corner Posts using one 5/16 x 3" Lag Screw and Flat washer in each Angle Brace (B).

Note: The Stringers have been omitted from the illustration for clarity.

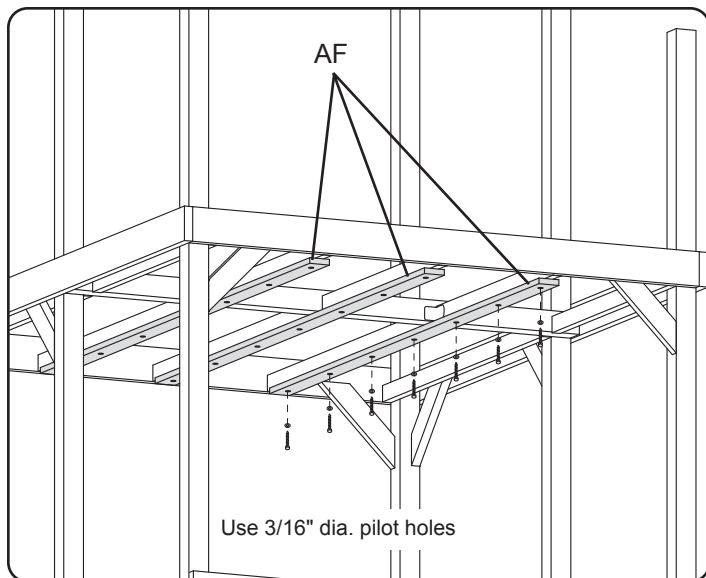


Step 14 — Stringer Flanges:

If your gym is to be assembled with the lower Clubhouse option, omit this step. Just make sure that the Clubhouse panel is snug against the bottom of the stringers to lend support to the center of the platform.

Position one Stringer Flange (AF) under a set of Center and Inner Stringers. It should center on the Stringers, equidistant from the Left & Right Platform Supports. The holes are not symmetrically placed; rotate the Flange so the holes land on the stringers and not on a gap. Drill a 3/16" Pilot hole 1" deep into the stringer and fasten the Stringer Flange using 1/4 x 1-1/2" Lag Screws and 1/4" Flat Washers. Continue securing the Stringer Flange to the Stringers with pilot hole and Lag Screws.

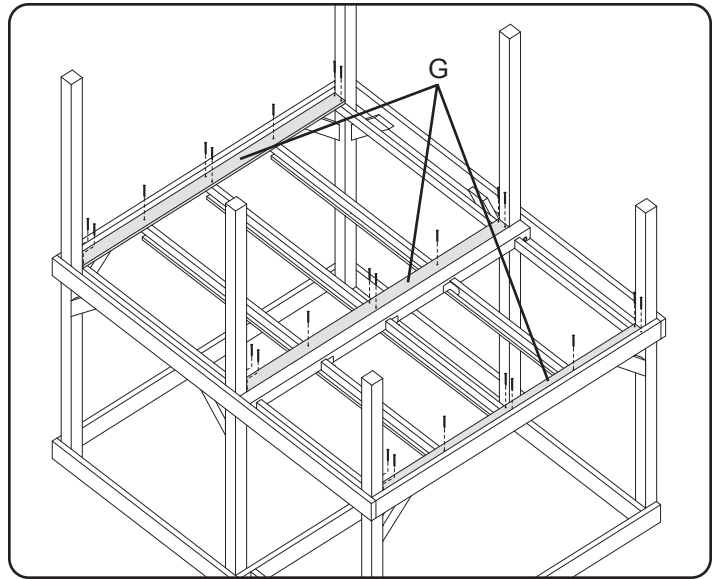
Repeat with the two other Stringer Flanges and Stringer sets.



ASSEMBLY INSTRUCTIONS

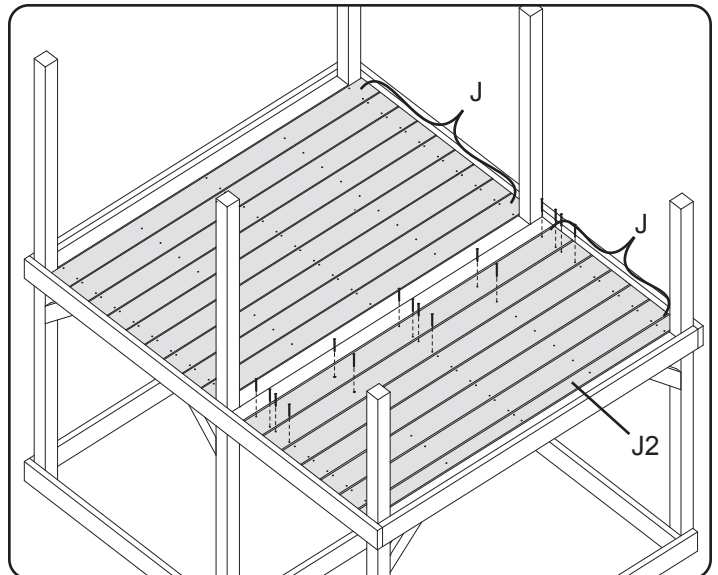
Step 15 — Narrow Platform Boards:

Locate three Narrow Platform Boards (G). Two can be found in one box and third is in another. Place the Narrow Platform Boards as shown. The edge of the boards should align with the corner of the adjacent Post. Fasten the Narrow Platform Boards to the Stringers with eight #10 x 2" Flat Head Wood Screws for each board.



Step 16 — Platform Boards:

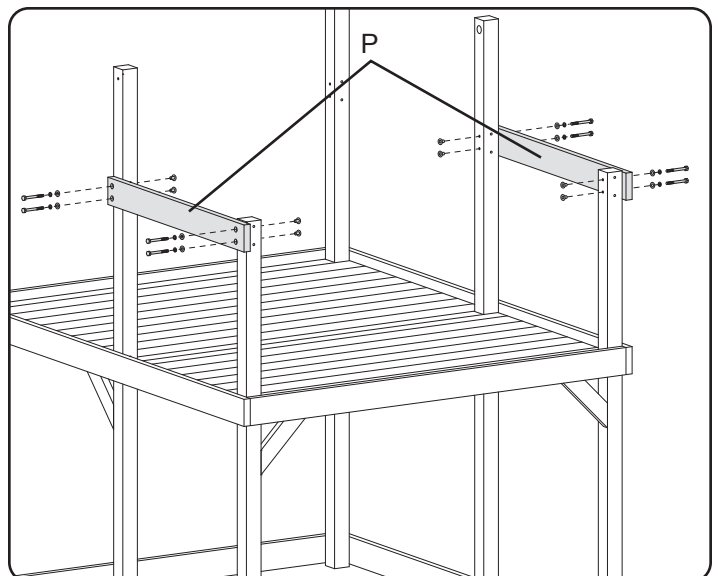
Layout all fifteen Platform Boards (J) and one Long Narrow Platform Board (J2) across the Stringers as shown. Space the Platform Boards evenly. Attach each Platform Board using eight #10 x 2" Flat Head Wood Screws.



Step 17 — End Wall Supports:

Fasten the End Wall Supports (P) to the center Posts and the Porch Corner Posts in the positions shown. Use four 5/16 x 4" Hex Bolt Assemblies for each Support.

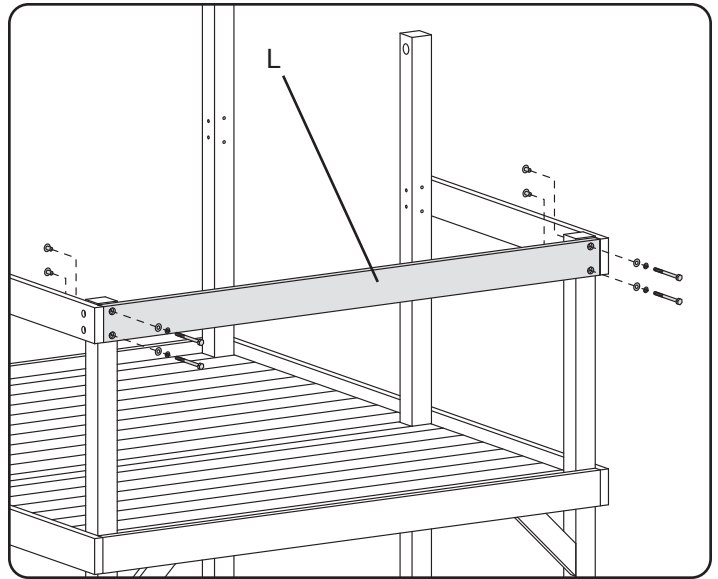
Note: Depending on swing frame options, some fasteners may be replaced in a later step.



ASSEMBLY INSTRUCTIONS

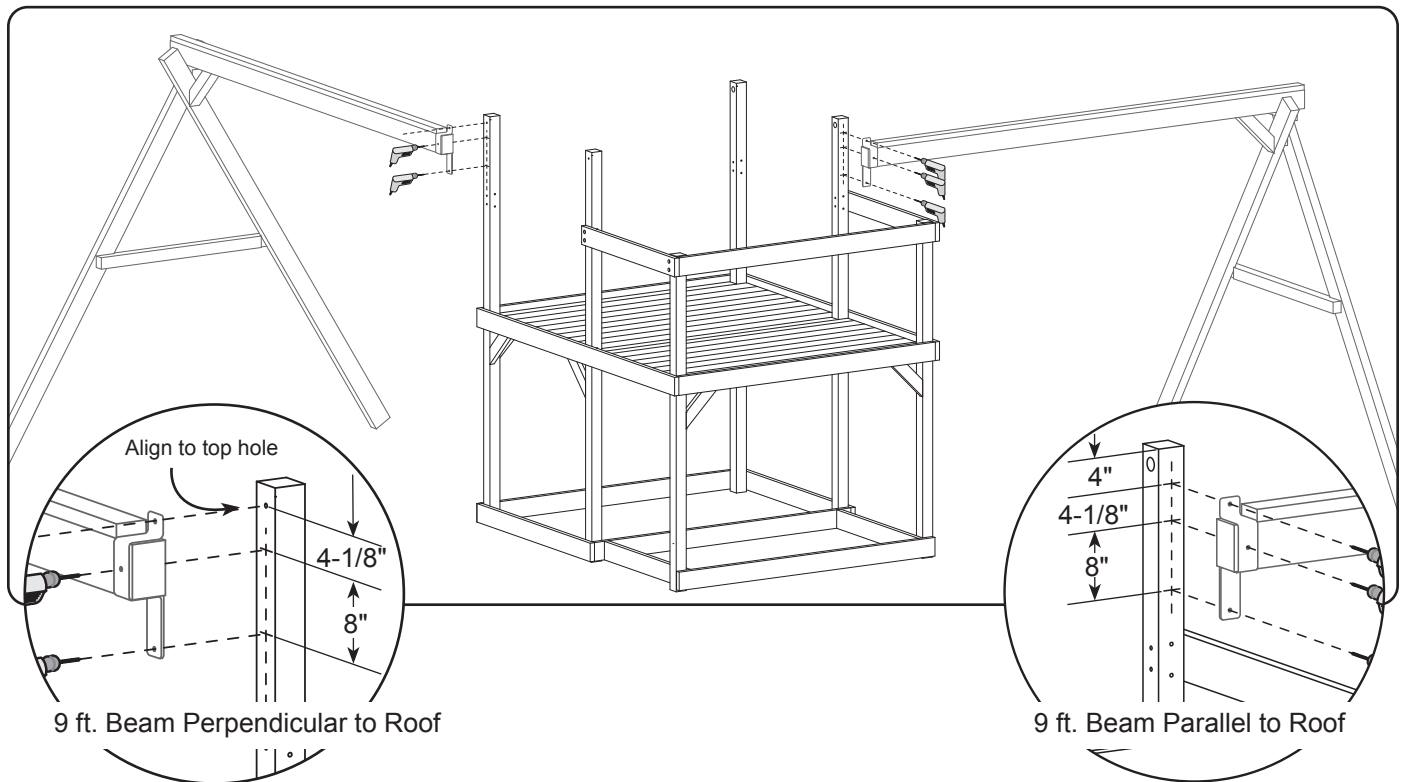
Step 18 — Side Wall Support:

Fasten the Side Wall Support (L) to the Porch Corner Posts above the Right Platform Side using four 5/16 x 4" Hex Bolt Assemblies.



Step 19 — Prepare Swing Beam Attachments:

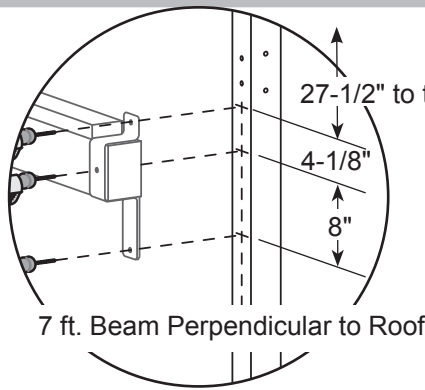
Depending on the swing frame option to be installed, different preparations must be made before proceeding.



9 Foot Swing Beam:

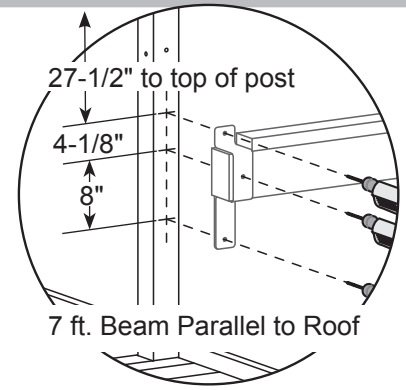
For a **9 ft. Beam fastened perpendicular to the roof**, drill two 7/16" diameter holes as shown above left. Insert 3/8" Weld Nuts from the beam hardware bag before moving to the step 20.

For a **9 ft. Beam fastened parallel to the roof**, drill three holes as shown above right. The top hole should be 3/8" diameter, the bottom two 7/16" diameter. Insert a 5/16" Weld Nut into the top hole and 3/8" Weld Nuts from the beam hardware bag in the bottom holes before moving to the step 20.



7 ft. Beam Perpendicular to Roof

For a **7 ft. Beam fastened perpendicular to the roof**, The top hole should be 3/8" diameter, the bottom two 7/16" diameter. Insert a 5/16" Weld Nut into the top hole and 3/8" Weld Nuts from the beam hardware bag in the bottom holes before moving to the step 20.



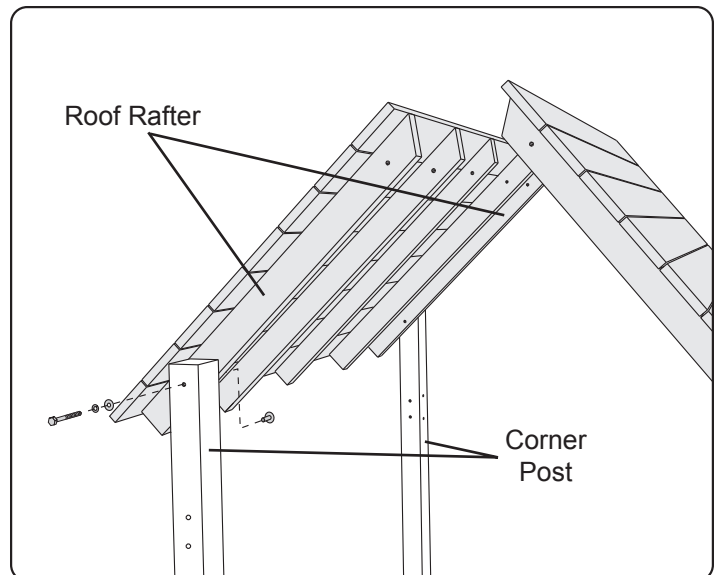
7 ft. Beam Parallel to Roof

For a **7 ft. Beam fastened parallel to the roof**, drill three holes as shown above right. The top hole should be 3/8" diameter, the bottom two 7/16" diameter. Insert a 5/16" Weld Nut into the top hole and 3/8" Weld Nuts from the beam hardware bag in the bottom holes before moving to the step 20.

Step 20 — Roof Assemblies to Posts:

Note: The hardware to attach the Roof Assembly can be found in the Roof Assembly Box. The Roof Assemblies (AG) are heavy; be sure to have adequate assistance to position and fasten each side.

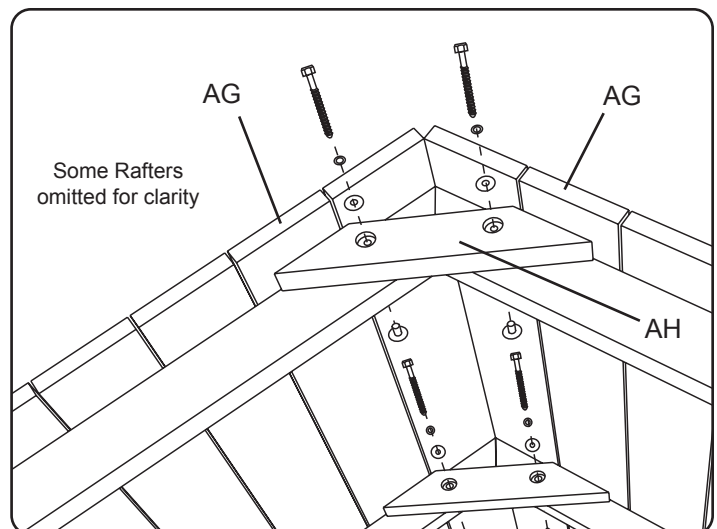
Position the Roof Assemblies on the Corner Posts with the holes at the top of the Corner Posts aligned with the holes in the Roof Rafters. The angled end of the Roof Rafter should be on the inside of the play set. Fasten each Roof Assembly to the Corner Posts using two 5/16 x 4-1/2" Hex Bolt Assemblies. Do not tighten the fasteners completely until after the next step.



Step 21 — Ceiling Joists:

Swing both Roof Assemblies until the ends touch. Adjust the Roof Assemblies so the angled ends are even with each other. With the counter-bored holes facing out, fasten a Ceiling Joist (AH) to the outside of the Roof Rafters on each side. Use one 5/16 x 2" Hex Bolt Assembly in each end of each Ceiling Joist.

Fasten the remaining Ceiling Joist to the Roof Rafters in the center of the Roof Assemblies. Use a 5/16 x 2" Hex Bolt Assembly in each end of the Ceiling Joist. Tighten the Bolts holding the Roof Assemblies to the Corner Posts.



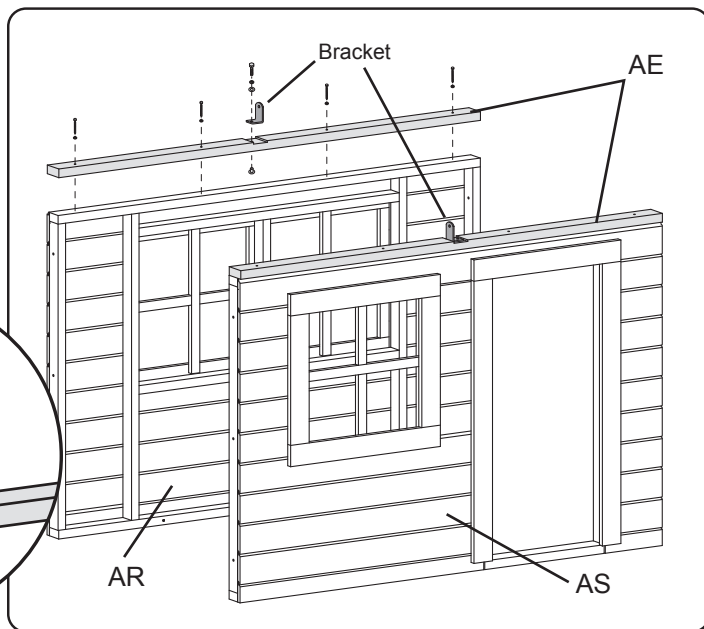
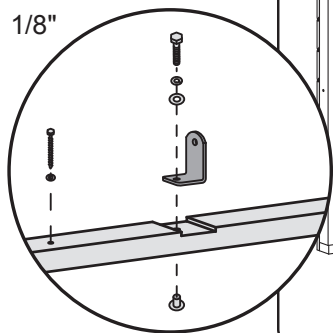
ASSEMBLY INSTRUCTIONS

Step 22 — Panel Caps & Brackets:

Fit an Access Ladder Bracket into the notch on both Panel Caps (AE). Fasten using 5/16 x 1" Hex Bolt Assemblies.

Fasten a Panel Cap to the top of the Double Window Panel (AR) and the Door & Window Panel (AS) using four 1/4 x 2-1/2" Lag Screws and 1/4" Flat Washers each.

Pilot drill for each Lag Screw using a 1/8" diameter drill.



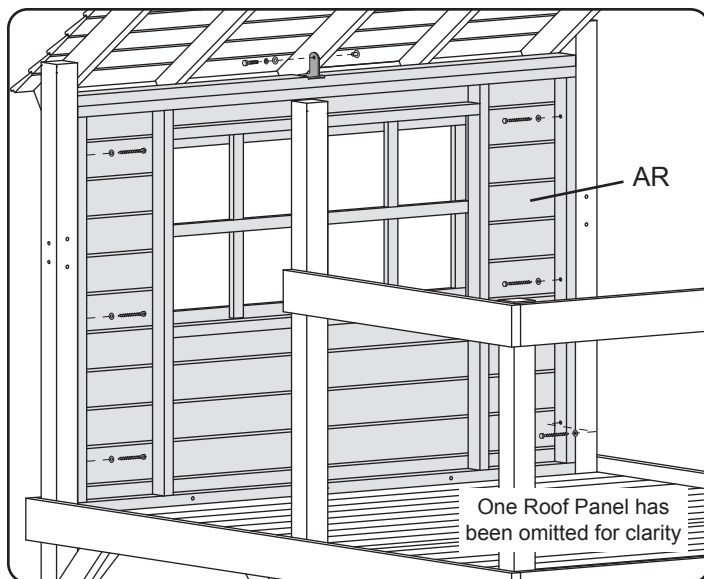
Step 23 — Double Window Panel:

To ease Panel installation, make sure any Weld Nuts on the inside surfaces of the Posts do not stand out too far. Usually, the Weld Nuts can be inset adequately using a hammer

Fit the Double Window Panel (AR) into place between the Corner Posts as shown. The Panel must rest firmly on the deck. The Panel should rest snugly against the Platform Support. If the fit is too tight it may help to loosen all of the fasteners connecting the Corner Posts to the Platform Supports.

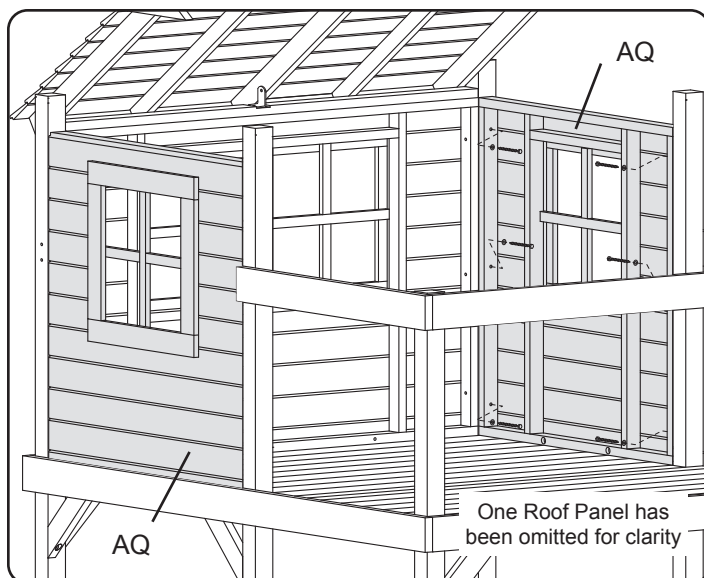
Fasten the Panel to the Corner Posts using three 5/16 x 2-1/2" Lag Screws and Flat Washers, as shown. Bore pilot holes using a 1/4" diameter drill into the Corner Posts prior to applying the Lag Screws.

Fasten the Bracket on top of the Panel to the center Roof Rafter using a 5/16" x 1-1/2" Hex Bolt Assembly.



Step 24 — End Panels and Door Panel:

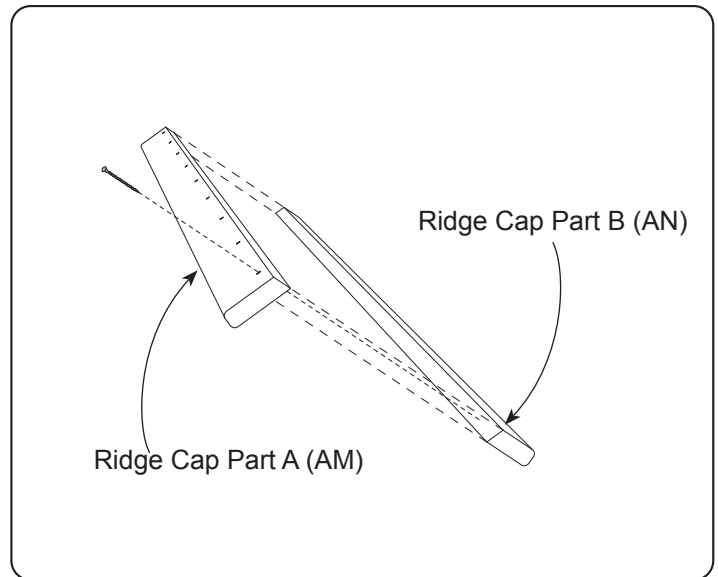
Install the remaining three Panels in the same manner used in the previous step.



ASSEMBLY INSTRUCTIONS

Step 25 — Assemble Ridge Cap:

Align Ridge Cap Part A (AM) overlapping Ridge Cap Part B (AN) as shown at right. Ensure that the ends of the Ridge Cap parts align before fastening using #8 x 2" screws. Each screw should pass through Ridge Cap Part A and into Ridge Cap Part B. Leave the screw head flush to the surface of Ridge Cap Part A.

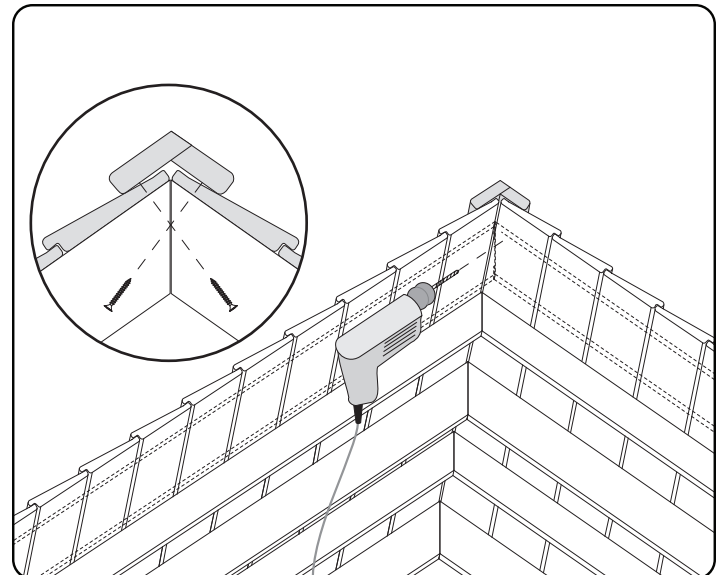


Step 26 — Mount Ridge Cap:

Before putting the Ridge Cap in place, drill a series of 1/8" diameter pilot holes through the top board of each roof panel. The pilot holes should be at least 3" from the end of the roof board and approximately 3/4" from the top edge. Space the pilot holes every 10 to 12 inches.

Put the Ridge Cap in place at the peak of the roof, as shown. The ends of the Ridge Cap should be flush with the ends of the roof.

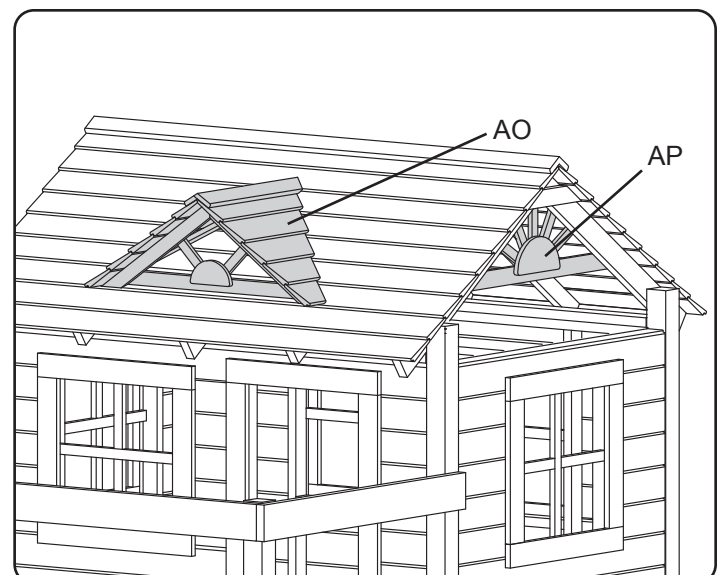
From inside the Gym, fasten the Ridge Cap using #8 x 1-1/4" screws, through the pilot holes and into the Ridge Cap.



Step 27 — Dormer & Gable Fans:

Assemble and install the Dormer as directed by the instructions included in the Dormer package.

Install the Gable Fans as directed by the instructions included in the Gable Fan package.



ASSEMBLY INSTRUCTIONS

Step 28 — Assemble Panel Frame:

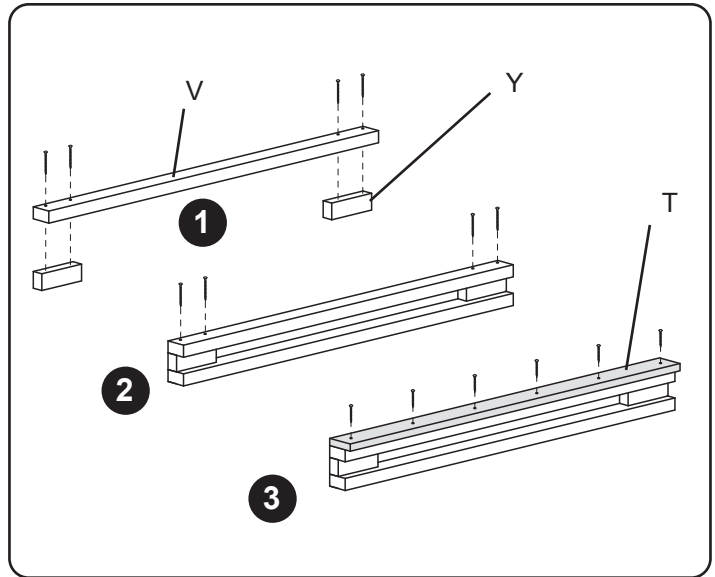
Locate four Panel Frame members (V), four Panel Blocks (Y), and two End Panel Caps (T).

1 — Fasten one Panel Block to each end of the a Panel Frame member using two #10 x 2-1/2" Screws each, as shown. **Pilot drill for each screw using a 1/8" diameter drill.**

2 — Flip the assembly and fasten another Panel Frame member to the Panel Blocks using the same method.

3 — Fasten one End Panel Cap, as shown using six #10 x 1-5/8" Screws.

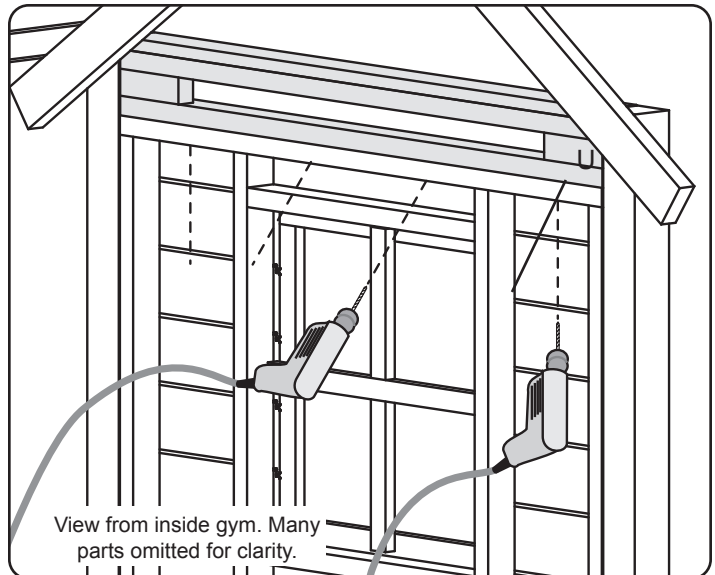
Build a second Panel Frame with the remaining parts.



Step 29 — Install Panel Frame:

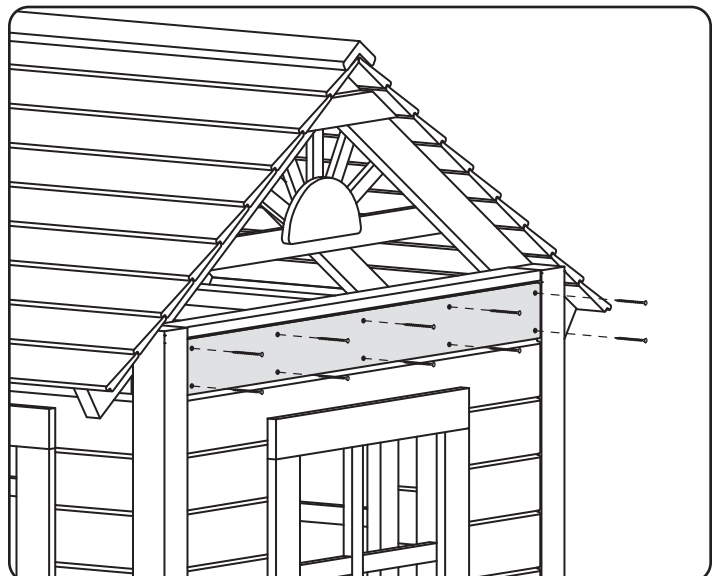
Rest one of the Panel Frame assemblies on the top of an End Panel, between the Corner Posts. Drill four 3/16" diameter holes up through the top frame of the End Panel. Use four #10 x 2-1/2" Screws to secure the Panel Frame assembly to the End Panel.

Repeat with the End Panel at the other end of the gym.



Step 30 — Panel Board:

Place the Panel Board (U) against the assembly from the previous step. Arrange it in such a way that the gap between the boards looks the same as the gap between the boards on the End Panel. Fasten using #10 x 1-5/8" Screws. Repeat with the Panel at the other end of the gym.

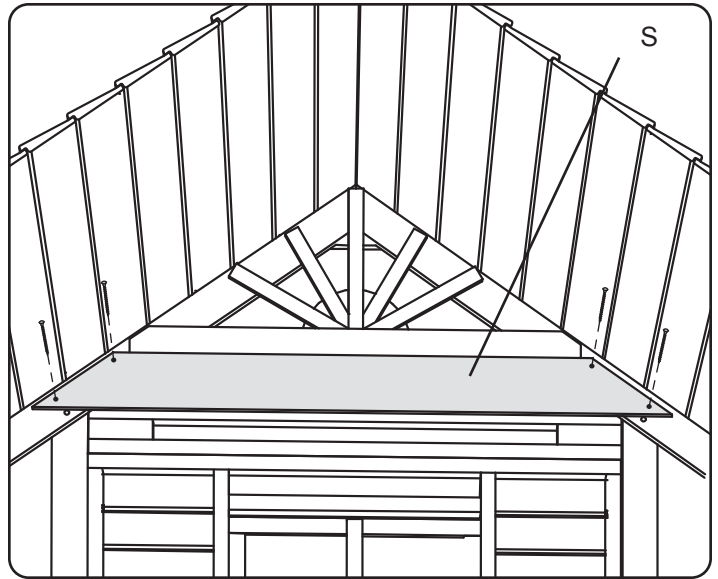


ASSEMBLY INSTRUCTIONS

Step 31 — Gable Filler:

Fasten the Gable Filler (S) inside the end roof rafters, snug against the bottom of the Gable Fan as shown. Use four #10 x 1-5/8" Screws.

Repeat with the other Gable Filler at the other end of the roof.



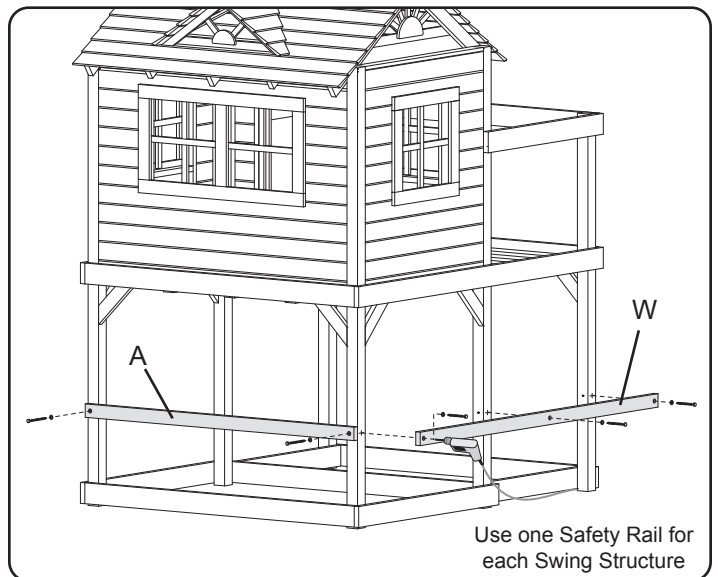
Step 32 — Safety Rail:

A Safety Rail is required to keep children from wandering into the path of swings that are in use. Which Safety Rail to use depends on which side the gym a swing structure will be mounted.

For a swing structure projecting from the gable end of the gym use the longer Safety Rail with three holes (W). For a swing structure projecting from the Dormer side of the gym use the shorter Safety Rail with two holes (A).

Drill 1/4" diameter pilot holes 24" up from the bottom of the Posts where the Safety Rail is to be mounted.

Fasten the Safety Rail using 5/16 x 3" Lag Screws with 5/16" Flat Washers as shown.



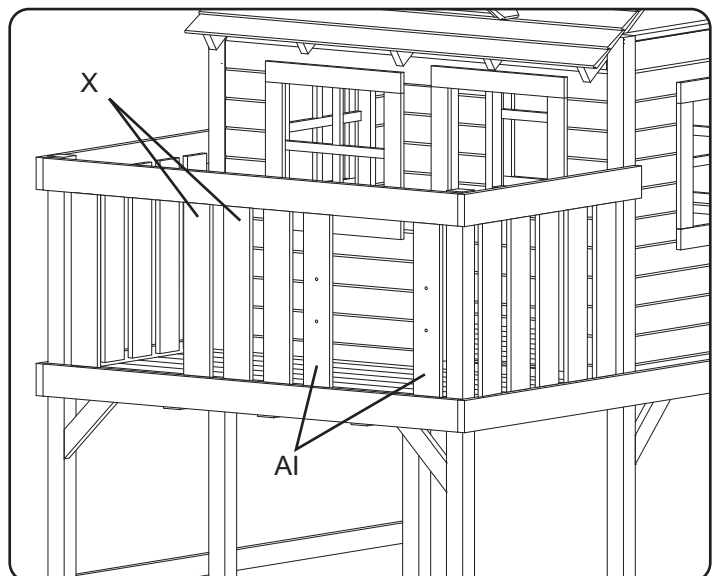
Step 33 — Wall Slats:

Determine the position of Access Ladder, Slide, and any other accessory to be mounted to the gym. Make sure that no accessory is in line with swings.

Place Wall Slats (X) and Entrance Slats (AI) around the perimeter of the porch, leaving appropriate openings for access. Typically the opening for an Access Ladder will be 17"; an opening for a slide will be 25".

Fasten the Wall Slats to the inside of the Platform and Wall Supports using four #10 x 1-5/8" Screws each. The Slats should be evenly spaced. Use Entrance Slats on either side of the Access Ladder opening.

Important: When placing Wall Slats, never leave a gap larger than 3-1/4" except at access points, where the gap must be larger than 9".



ASSEMBLY INSTRUCTIONS

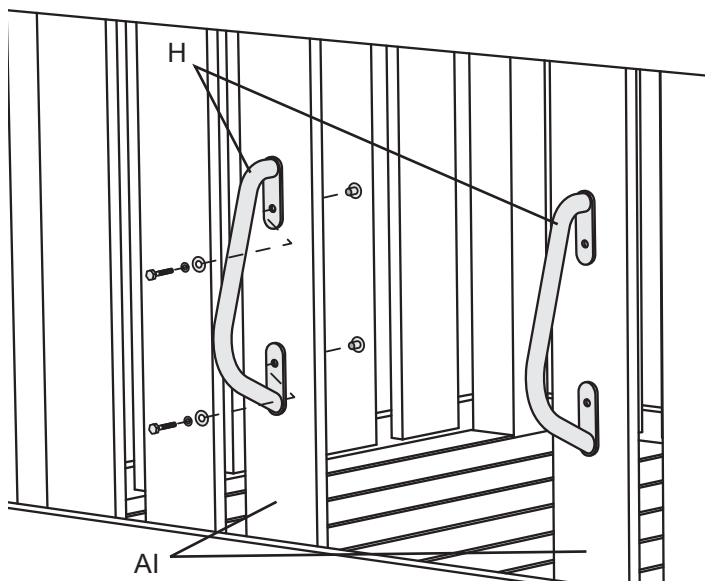
Step 34 — Entrance Wall Slats & Hand Grips:

Locate the two Entrance Wall Slats from the previous step.

The gym may be provided with yellow plastic Hand Grips or green steel Deluxe Hand Grips.

Fasten the Hand Grips (H) to the Entrance Slats (AI) using two 1/4 x 1" Hex Bolt Assemblies each.

The Deluxe Hand Grip should be oriented as shown in the illustration.



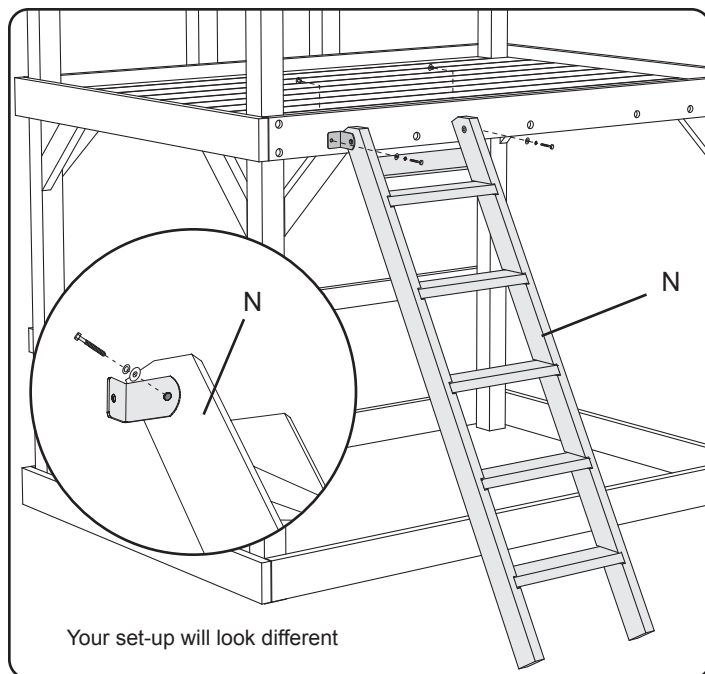
Step 35 — Mount Access Ladder:

Locate the two Access Ladder Brackets. Loosely fasten the Access Ladder Brackets to the Access Ladder Assembly (N) using one 5/16" x 1-1/2" Hex Bolt Assembly each, as shown.

Position the Access Ladder Assembly against the Platform Support Side below the Access Ladder opening. Make sure the bottom is securely on the ground.

Place the Access Ladder Brackets against the Platform Support as shown. Mark and drill 3/8" diameter holes through the Platform Support. Fasten each Access Ladder Bracket to the Platform Support using one 5/16 x 1-1/2" Hex Bolt Assembly.

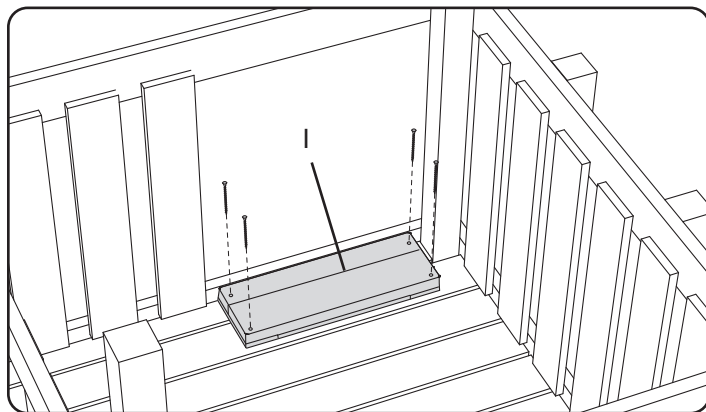
Note: The Access Ladder can be mounted on any side of the gym desired, provided that its placement does not interfere with other accessories. The Access Ladder should be mounted well clear of any swing accessories. An effort should be made to provide space to mount Entrance Wall Slats and Hand Grips on either side of the Access Ladder.



Step 36 — Slide Mount:

Place the Slide Mount (I) tight against the front platform support, centered on the opening left for the slide. Temporarily put the slide in place to determine whether to use the wide or narrow board closer to the platform support. Secure the Slide Mount to the Platform Boards using four #10 x 2-1/2" Flat Head Wood Screws.

Drive the screws until the heads are flush with the top of the Slide Mount. Do not over-tighten; over-tightening may cause the points of the screws to protrude through the bottom of the Platform Boards.



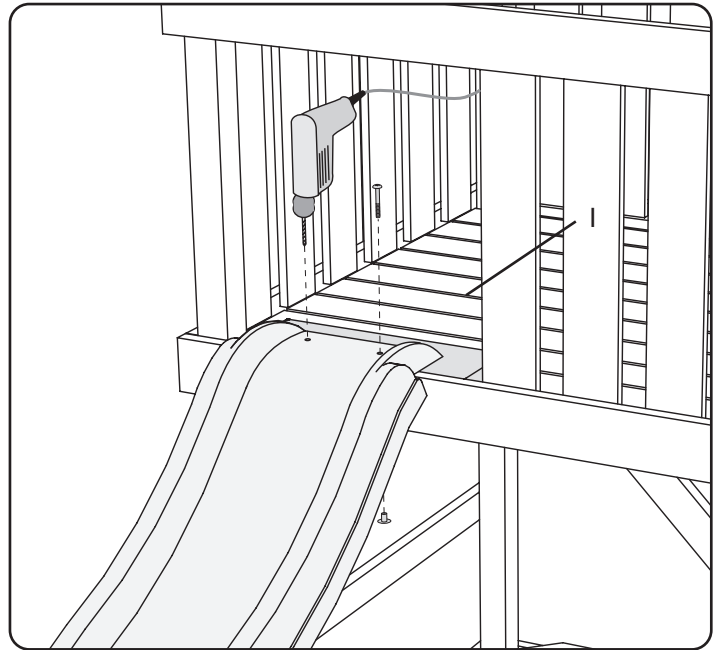
Step 37 — Slide:

Position the Slide on the Slide Mount (I) through the opening prepared in earlier steps. Center the Slide in the opening and pull it tight to the platform until it stops against the edge of the Platform Support. Make sure and that the holes in the Slide are over the Slide Mount.

Check that the Slide extends out perpendicular from the play set.

Drill 5/16" holes through the Slide, Slide Mount and Platform Boards using the holes in the Slide as a guide. Fasten the slide using one 1/4 x 3" Truss Head Bolt and one 1/4" Weld Nut for each hole.

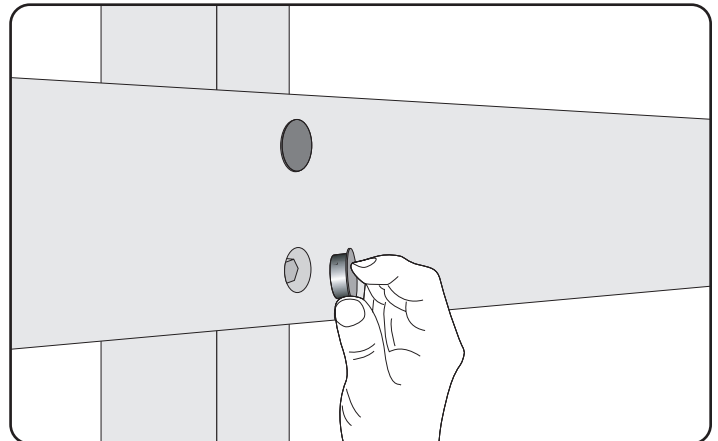
Note: In some positions, a Stringer may be encountered when drilling. Stop drilling, remove the Platform Board and insert the Weld Nut into the hole from below. Reinstall the Platform Board and continue with assembly. It may help to clear space for the Weld Nut but using a 1" paddle bit on the underside of the Platform Board



Step 38 — Hole Caps:

Make a final check and make sure that all the bolts and screws have been tightened.

Locate the 1" Hole Caps in the hardware bag. Install Hole Caps into all the counter-bored holes to cover and protect the hardware.



Save all instruction sheets and receipts in case it becomes necessary to contact Creative Playthings for warranty service and/or part replacement. The warranty can be found in your Owner's Manual.

**Please fill out the warranty card on the back of your owners manual. Your completed warranty card will allow us to quickly process warranty claims.
Thank you.**

YORKTOWN 19794-300 Rev G (01-19)

© Copyright 2010, Creative Playthings. Printed in U.S.A.