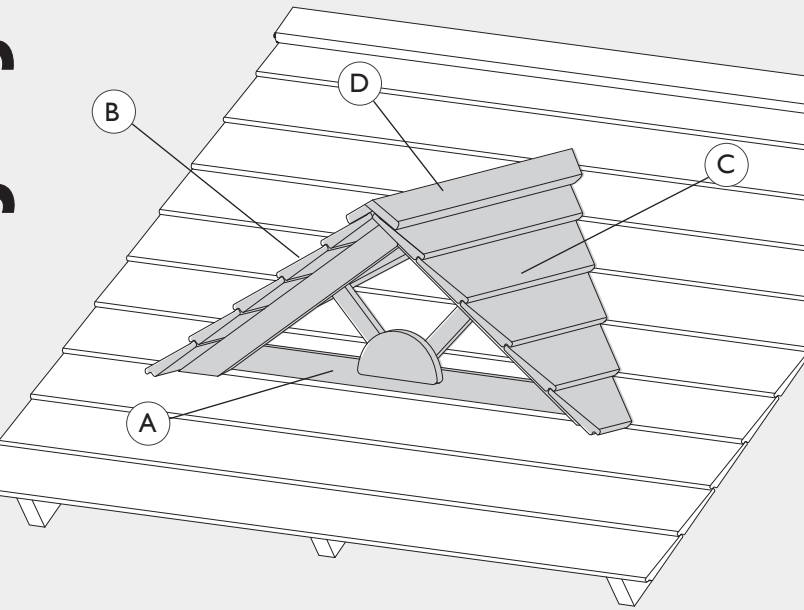


Dormer Installation

Models:
SM963-402

Creative Playthings®

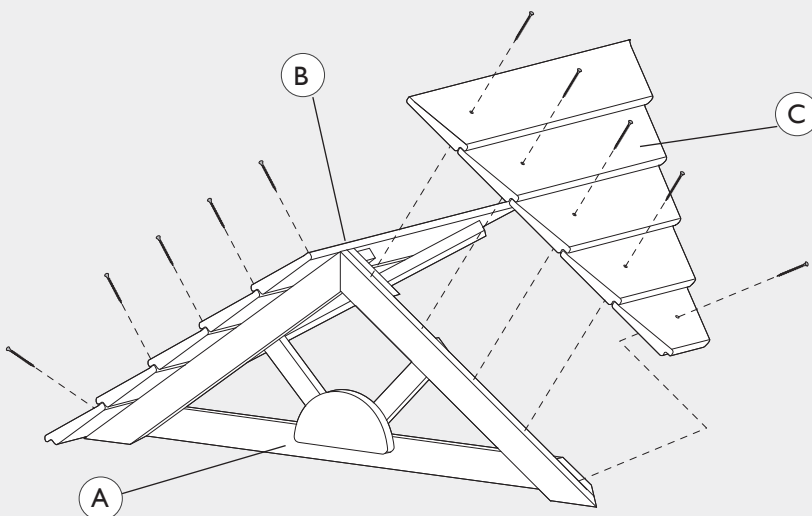


All hardware on this set is specially coated for corrosion resistance. If non-Creative Playthings hardware is used, it must be galvanized or stainless steel.

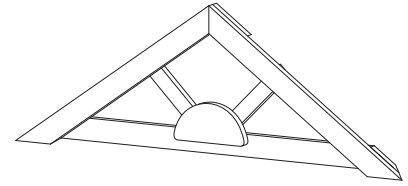
STEP ONE - Fasten Roof Panels

Fasten the Left and Right Dormer Roof Panel Assemblies (B & C) to the Dormer Face Panel Assembly using 2" screws, as shown. The two Roof Panels should meet at the peak of the Face Panel. The back of the Face Panel should rest against the frame of the Roof Panels.

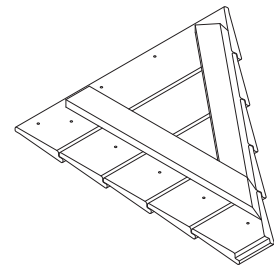
Care must be taken when applying the screws not to split the frame of the Face Panel. Due to possible variation in screw sizes, a 1/8" diameter drill may be required to create pilot holes in the edge of the frame. Be sure to angle the lowest screw on each side to avoid any protrusion of the tip of the screw.



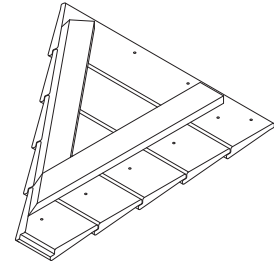
Wooden Parts:



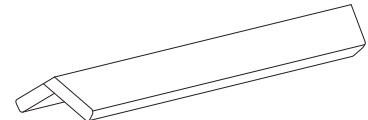
A Dormer Face Panel Assembly



B Left Dormer Roof Panel Assembly



C Right Dormer Roof Panel Assembly

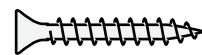


D Dormer Ridge Cap Assembly

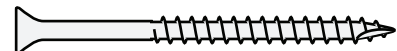
SM963-402 Dormer, Brown

- A | 40498-402 Dormer Face Panel Assembly
- B | 40499-402 Left Dormer Roof Assembly
- C | 40500-402 Right Dormer Roof Assembly
- D | 40501-402 Dormer Ridge Cap Assembly

50447-700 Hardware Bag, Dormer



8 17020-102 Screw #6 x 1"



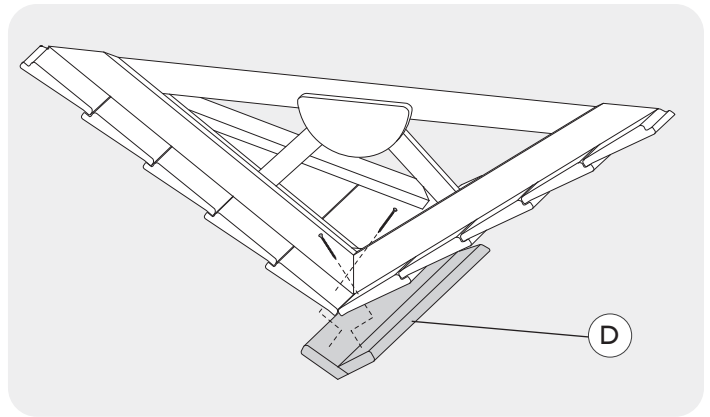
20 17020-112 Screw #8 x 2"

STEP TWO - Fasten Ridge Cap

Gently flip the Dormer Assembly. Nest the peak of the roof into the Ridge Cap (D), aligning the ends of the assembly with the ends of the Ridge Cap.

Fasten the top edges of the Roof Panels to the Ridge Cap using 1" screws as shown. In most cases, no pilot drill will be necessary. Be careful not to sink the screws too deep. The tips of the screws must not protrude through the Ridge Cap.

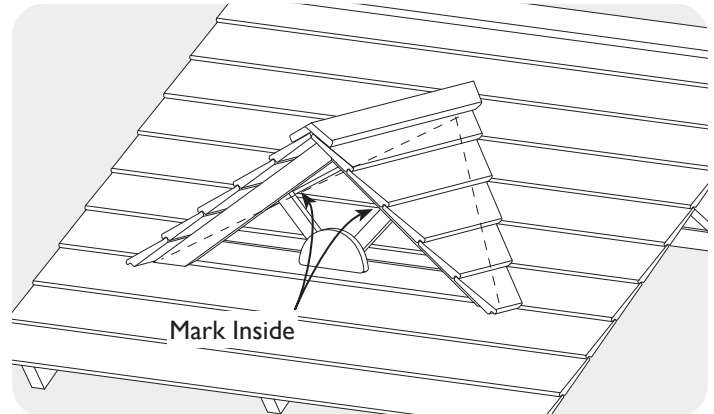
Continue with 1" screws through each hole in the Roof Panels into the Ridge Cap.



STEP THREE - Mark Roof

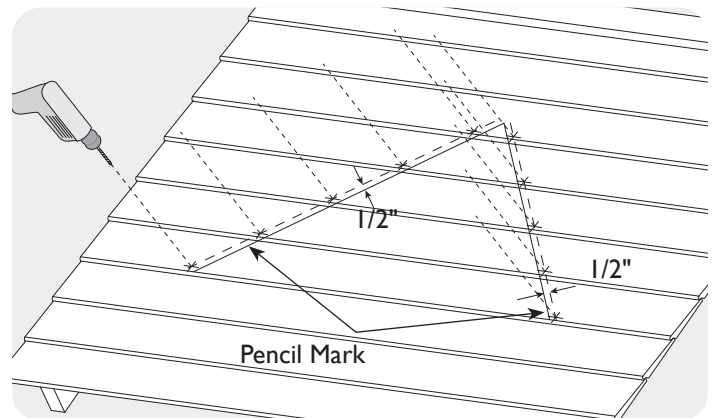
Using a ladder, lift the assembled Dormer into place on the roof of the gym. In most cases the desired position will be centered on the roof, three roof boards up from the bottom. Once the Dormer is in place, reach inside and mark with a pencil where the Dormer frame meets the roof boards.

For help with repositioning, mark the outside corners of the Dormer on the roof, as well



STEP FOUR - Drill Holes

Set aside the Dormer. With a 1/8" diameter drill, make holes through the thickest part of each roof board, 1/2" outside the interior lines made in the previous step, as shown.



STEP FIVE - Secure Dormer

Assistance is required for this final step.

Place the Dormer back on the roof in the position marked earlier. While one person holds the Dormer in place, another person fastens the Dormer to the roof boards, by way of 2" screws up through the holes in the roof boards and into the framing of the Dormer Roof Panels.

