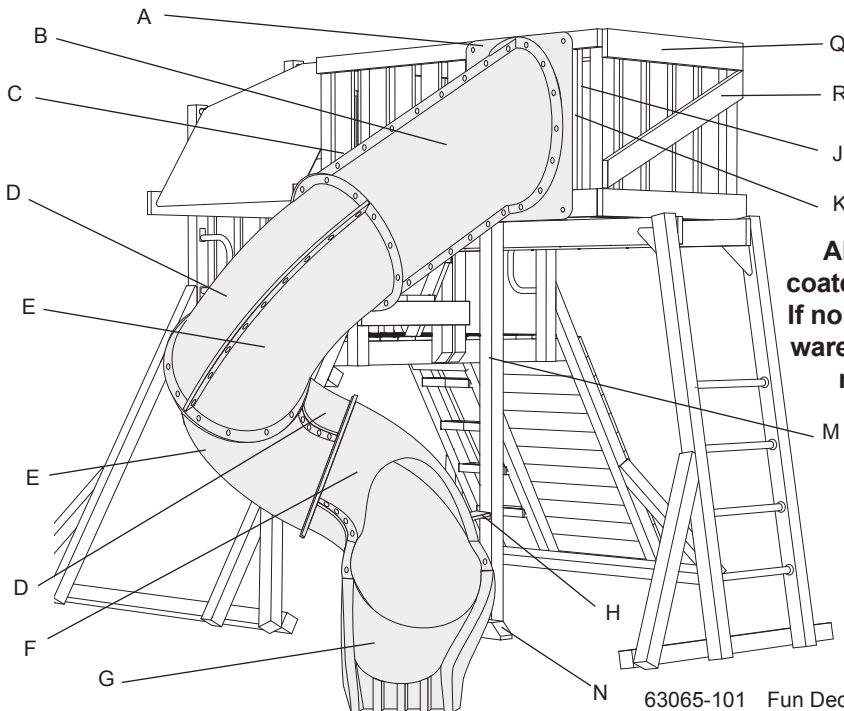


Creative Playthings®

MODEL 63056-101 ASSEMBLY MANUAL

FUN DECK SPIRAL SLIDE

Review the original play set assembly manual and your owners manual before assembly.

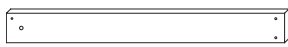


All hardware on this set is coated for corrosion resistance. If non-Creative Playthings hardware is used, it **MUST** be galvanized or stainless steel.

63065-101 Fun Deck Spiral Slide Mount
8400-202 Spiral Slide

PARTS

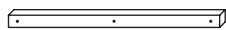
63056-101 Fun Deck Spiral Slide Adaptor



J 2 32457-102 Side Support 2 x 4 x 31-1/2"



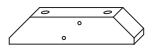
K 2 32458-102 Side Filler 2 x 4 x 27"



L 1 32473-102 Bottom Filler 1-3/8 x 1-3/4 x 22-1/2"



M 1 32855-102 Bracket Support 4 x 4 x 85-3/8"



N 1 32856-102 Bracket Support Base 4 x 4 x 15"

O 1 15133-400 Plastic Slide Mount - Green

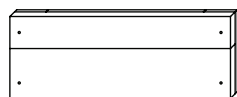
P 2 17105-024 24" Ground Spike



Q 1 35364-102 End Replacement 2 x 6 x 38"



R 1 35365-102 Cross Brace 2 x 6 x 44-3/4"



HARDWARE

50445-700 Hardware Bag - Fun Deck Spiral Slide

10 17001-105 Weld Nut 5/16
26 12002-206 Flat Washer 5/16"
2 17003-611 Hex Bolt 5/16 x 1-1/2"
5 17003-1211 Hex Bolt 5/16 x 3"
2 17003-2411 Hex Bolt 5/16 x 6"
10 17017-206 Lock Washer 5/16"
20 17020-113 Screw #10 x 2-1/2
4 17036-602 Lag Screw 5/16 x 1-1/2"
6 17036-1002 Lag Screw 5/16 x 2-1/2"
6 17036-1202 Lag Screw 5/16 x 3"
9 15081-704 1" Hole Cap, Brown

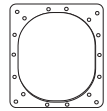
15063-1020 Hardware Pack - Spiral Slide

96 12002-206 Flat Washer 5/16"
48 12017-206 Lock Washer 5/16"
48 12003-411 Hex Bolt 5/16" x 1"
48 12052-106 Lock Nut 5/16"

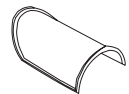
TOOLS & SUPPLIES NEEDED

- Electric Drill
- Drill Bits: 3/16", 1/8", 1/4" & 3/8"
- #2 Phillips Driver Bit
- Tape Measure
- 7/16 & 1/2" Socket Wrench
- Saw
- Stain
- 3/8" Dowel

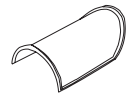
SLIDE PARTS



A-(1) Mounting Plate
P/N 15064-1180-Yellow
P/N 15064-1480-Green



B-(1) Left Entrance
P/N 15064-1175-Yellow
P/N 15064-1475-Green



C-(1) Right Entrance
P/N 15064-1174-Yellow
P/N 15064-1474-Green



D-(2) Top Elbow
P/N 15064-1177-Yellow
P/N 15064-1477-Green



E-(3) Bottom Elbow
P/N 15064-1176-Yellow
P/N 15064-1476-Green



F-(1) Exit Section
P/N 15064-1178-Yellow
P/N 15064-1478-Green



G-(1) Run-off Section
P/N 15064-1179-Yellow
P/N 15064-1479-Green



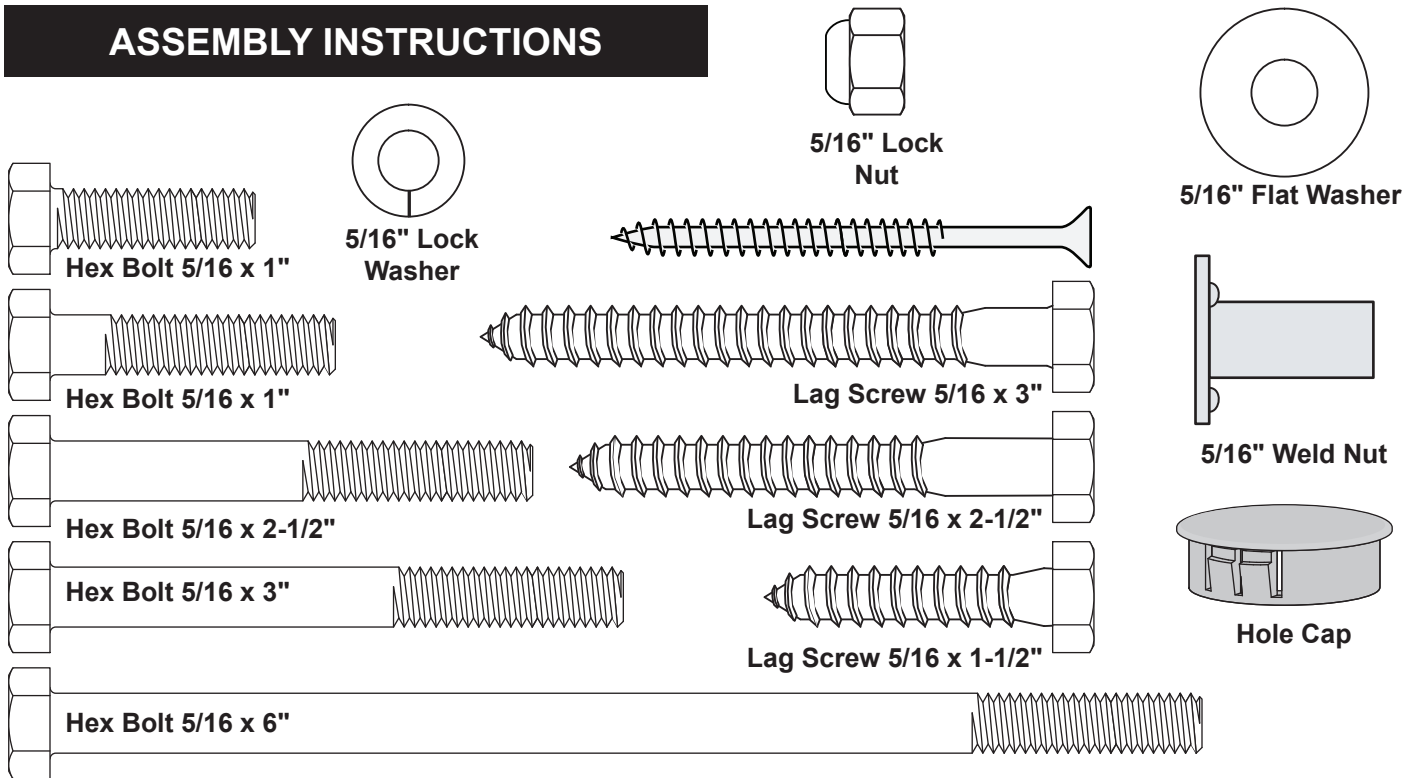
H-(1) Lower Slide Support Bracket
P/N 15064-1120



I-(2) Spiral Slide Anchor Nail
P/N 12100-848

* NOT ILLUSTRATED

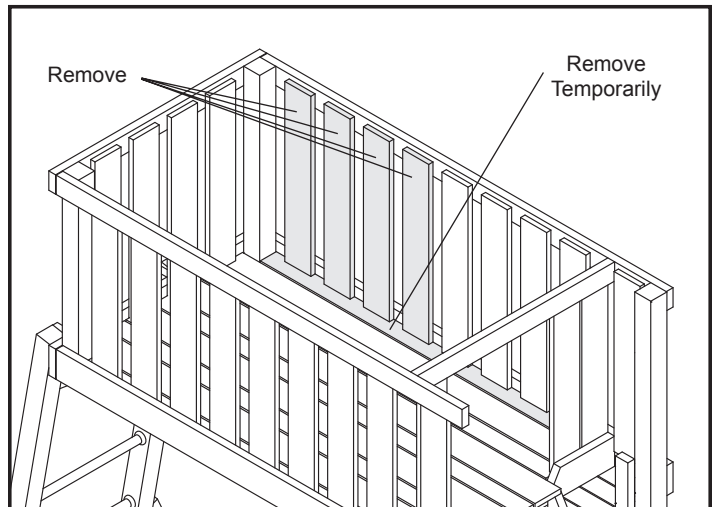
ASSEMBLY INSTRUCTIONS



STEP 1 - Remove Wall Slats & Platform Board

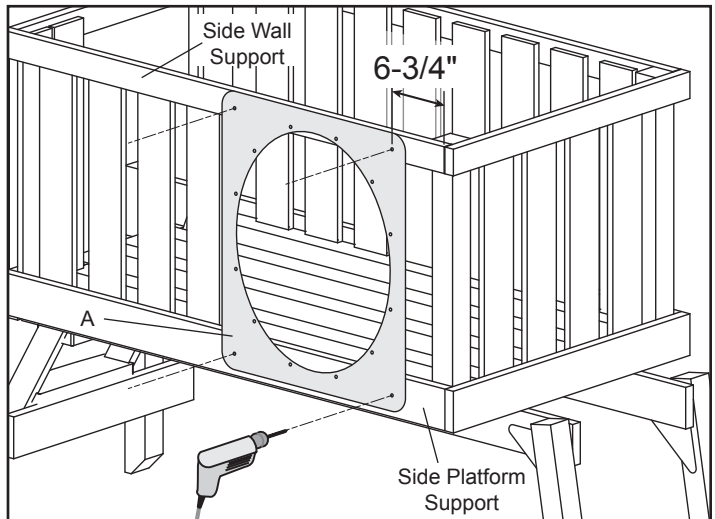
Remove the four Wall Slats on the side of the Fun Deck adjacent to the Corner Post on the face of the Fun Deck that is on the out side of the gym. The Wall Slats will not be re-used. Save them for future repairs or replacement.

To ease installation of the slide, remove the Narrow Platform Board adjacent to the opening created. The Narrow Platform Board will be re-installed later. In most cases, the Narrow Platform Board will slip freely from beneath the remaining Wall Slats. If it does not, you may need to remove other Wall Slats, as well.



STEP 2 - Drill Mounting Holes

Use the Mounting Plate (A) to lay out the mounting hole positions. Align the top edge of the Mounting Plate (A) with the top edge of the Side Wall Support. The top right hole of the Mounting Plate (A) should center 6-3/4" from the end of the Side Wall Support, as shown. With a pencil, mark the position of the four holes at the corners of the Mounting Plate (A). Bore holes through the Side Wall Support and Side Platform Support at the pencil marks, using a 3/8" diameter drill.



ASSEMBLY INSTRUCTIONS

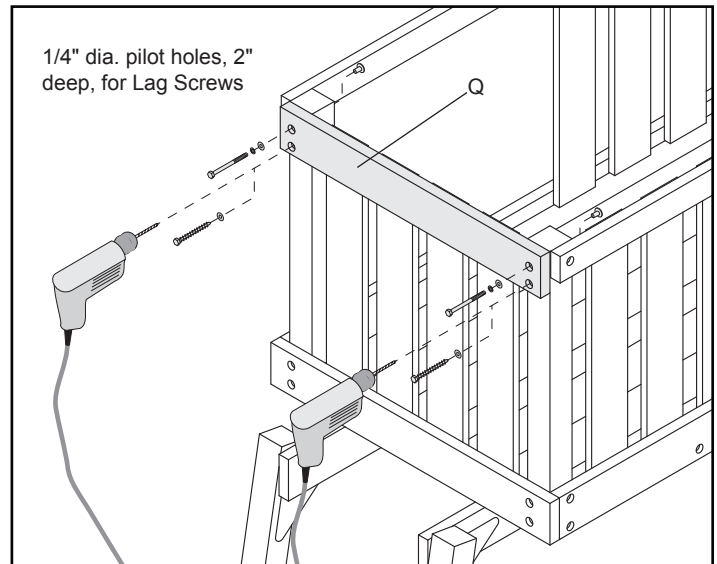
STEP 3 - Replace End Wall Support

Loosen the Screws securing the top of the end Wall Slats to the End Support. Remove the Hex Bolt Assemblies holding the End Support to the Posts.

Orient the End Replacement (Q) as shown. Fasten it in place of the End Support using the same Hex Bolt Assemblies.

Drill 1/4" diameter holes through the lower holes, 2" deep into the Posts. Fasten one 5/16 x 3" Lag Screw and one 5/16" Washer into each of the pilot holes.

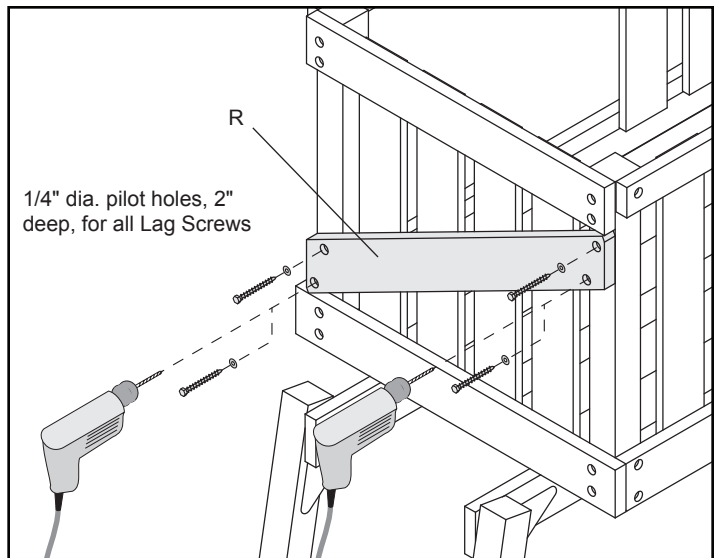
Re-fasten the Wall Slats to the End Replacement using the original Screws.



STEP 4 - Install Cross Brace

Place the Cross Brace (R) against the Posts, oriented as shown. Mark the position of the holes onto the Posts.

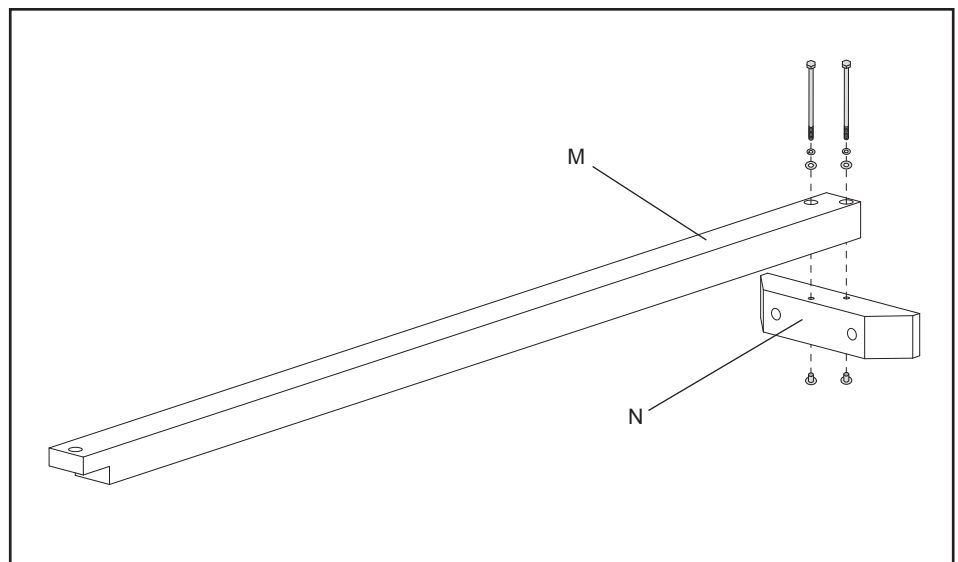
Drill 1/4" diameter holes 2" deep into the posts at the marks. Secure the Cross Brace to the Posts using four 5/16 x 3" Lag Screws with four Flat Washers.



STEP 5 - Assemble Bracket Support

Fasten the Bracket Support (M) to the Bracket Support Base (N) using two 5/16 x 6" Hex Bolt Assemblies as shown.

Note: A Hex Bolt Assembly consists of a Hex Bolt, a Lock Washer, a Flat Washer and a Weld Nut.



ASSEMBLY INSTRUCTIONS

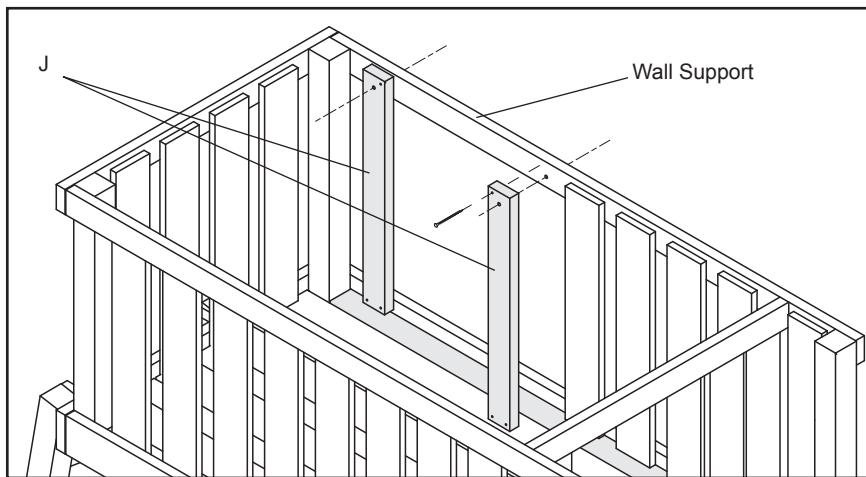
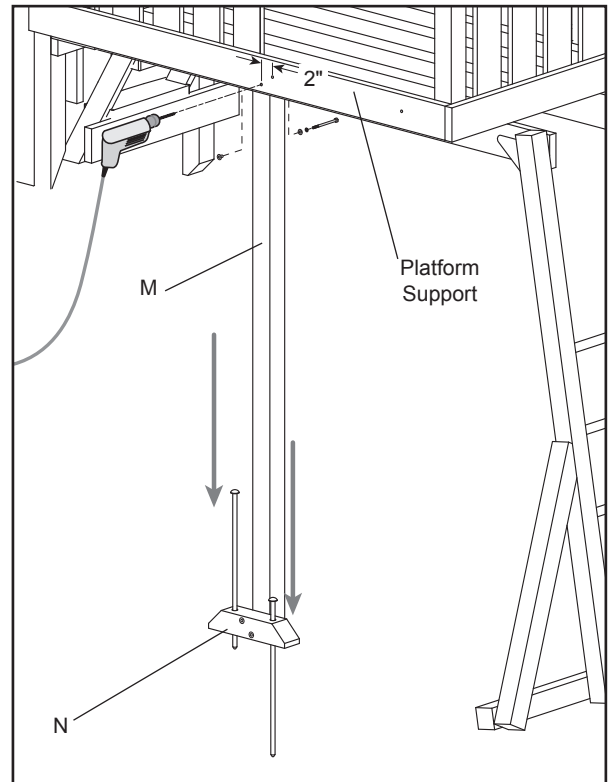
STEP 6 - Install Bracket Support Assembly

Flip the Bracket Support Assembly upright so the top of the Bracket Support rests inside the Side Platform Support of the Fun Deck, as shown. The hole at the top of the Bracket Support should align approximately 2" from the left hand hole drilled in the Platform Support.

Make sure that the Bracket Support Assembly rests on the ground and is vertical. The top of the bracket support should not be higher than the bottom of the platform boards or so low that the hole to be drilled will be closer than 3/4" from the edge of the Platform Support. The height of the Bracket Support Assembly can be adjusted by changing the level of the ground beneath the Bracket Support Base.

Mark the position of the hole onto the Platform Support. Drill a 3/8" diameter hole through the Platform Support at the place marked. Fasten the Bracket Support using a 5/16 x 3" Hex Bolt Assembly.

Make sure that the Bracket Support is vertical. Drive two 24" Ground Spikes (P) through the Bracket Support Foot and into the ground. Make sure that the head of the spikes are rest against the top of the Bracket Support Base.



STEP 7 - Side Supports

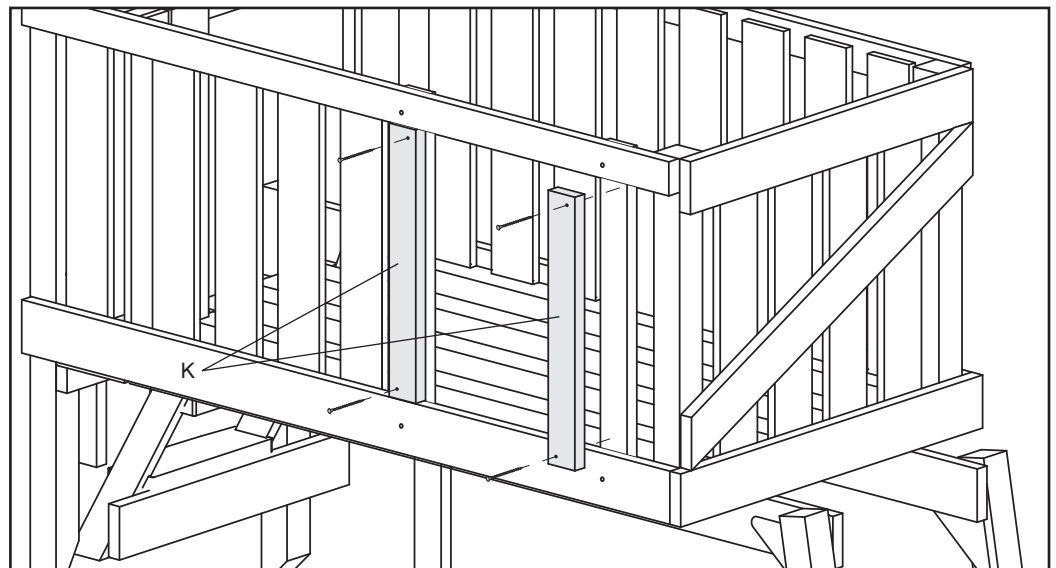
Locate the two Side Supports (J). Align the large hole at the top of each Side Support with a hole drilled in the Wall Support in a previous step. Make sure that the Side Supports are plumb and parallel. Fasten each Side Support to the Wall Support using one #10 x 2-1/2" Wood Screw through the small holes at the top of the Side Support.

Fasten the bottom each Side Support to the Platform Support using two #10 x 2-1/2" Wood Screws through the small holes at the bottom of the Side Support. The space between the Side Supports should be approximately 24".

STEP 8 - Side Fillers

After installing the Side Supports and before installing the Side Fillers, restore the Narrow Platform Board that was removed in Step One.

Fasten a Side Filler (K) to each Side Support (J) using two #10 x 2-1/2" Wood Screws through the holes provided. Make sure that the inside edges of the Side Support and Side Filler are even.



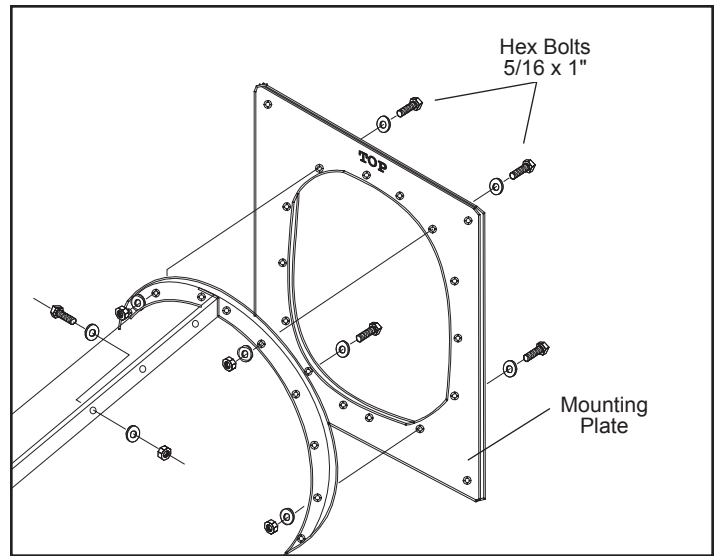
ASSEMBLY INSTRUCTIONS

STEP 9 - Slide Entrance Assembly

Assemble the Left Entrance Section to the Right Entrance Section using fourteen 5/16 x 3/4" hex bolts, twenty-eight 5/16" flat washers and fourteen 5/16" Nylock nuts.

Attach the Entrance assembly to the Mounting Plate at the four corners using four 5/16 x 1" hex bolts, eight 5/16" flat washers and four 5/16" Nylock nuts as shown in the illustration on the right. Make sure that the Nylock nuts are installed to the outside away from the Gym.

NOTE: The Mounting Plate is stamped "TOP". Make sure that it is positioned properly and that all of the holes around the Mounting Plate line up before tightening.



STEP 10 - Entrance Assembly to Gym

Install the Entrance Assembly to the Gym through the two holes in the Wall Support. Attach using two 5/16 x 3" Hex Bolt Assemblies as shown.

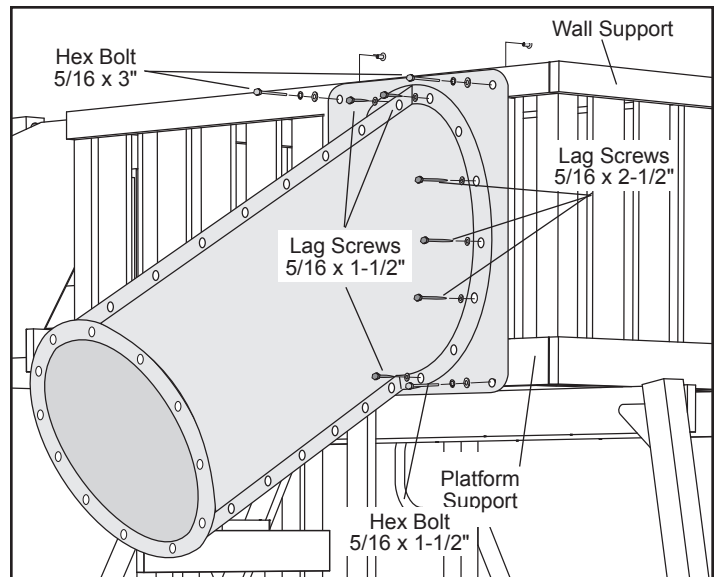
Note: This step will require two people.

Fasten the bottom of the Entrance Assembly to the Gym through the two holes in the Platform Support. Attach using two 5/16 x 1-1/2" Hex Bolt Assemblies as shown.

Attach the Entrance Assembly through the top and bottom two holes using four 5/16 x 1-1/2" lag screws and four 5/16" flat washers.

Attach the side center three holes on both sides using six 5/16 x 2-1/2" lag screws and six 5/16" flat washers.

Important: In any place where hardware penetrates a peice of wood, use the gray "Xylan coated" hardware, which has grater resistance to corrosion.



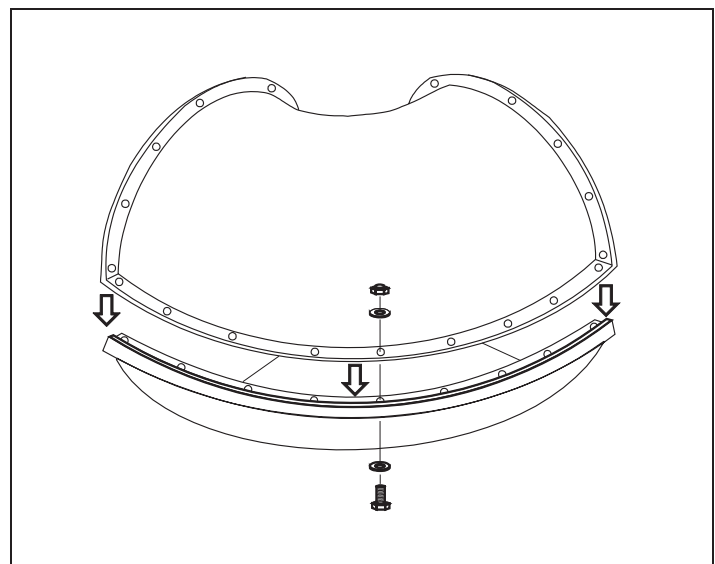
STEP 11 - Assemble Elbow Sections

Locate all of the Elbow Sections.

NOTE: The difference between the top and bottom sections is the male and female flanges.

Assemble each of the two Elbow assemblies using thirteen 5/16 x 3/4" hex bolts, twenty-six 5/16" flat washers and thirteen 5/16" Nylock nuts as shown in the illustration.

Assemble the remaining Elbow Section, Outlet Section and the Lower Slide Bracket using thirteen 5/16 x 3/4" hex bolts, twenty-six 5/16" flat washers and thirteen 5/16" Nylock nuts.



ASSEMBLY INSTRUCTIONS

STEP 12 - First Elbow Section

Position the first Elbow Section directly under the Entrance Section and rotate two holes off center clockwise.

NOTE: There are male and female flanges on all of the sections. Make sure they match properly.

Attach the two sections together using twelve 5/16 x 3/4" hex bolts, twenty-four 5/16" flat washers and twelve 5/16" Nylock nuts as shown in the illustration.

STEP 13 - Second Elbow Assembly

Repeat the procedure on Step #10 but rotate the second Elbow Section counter clockwise two bolt holes. Attach using twelve 5/16 x 3/4" hex bolts, twenty-four 5/16" flat washers and twelve 5/16" Nylock nuts.

STEP 14 - Outlet Exit Assembly

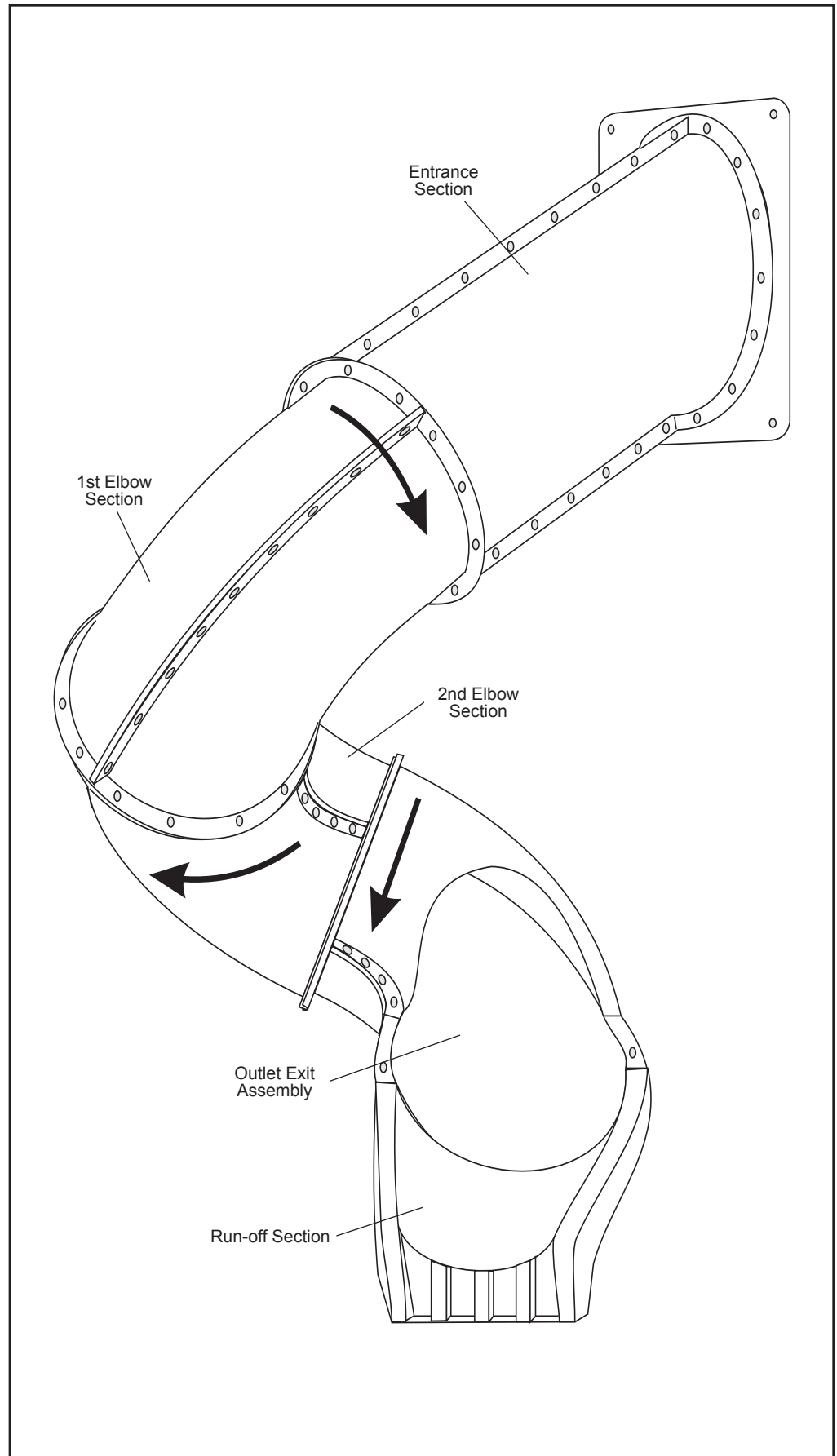
Repeat the procedure on Step #11 and rotate the Outlet Exit Section counter clockwise two bolt holes.

Attach using twelve 5/16 x 3/4" hex bolts, twenty-four 5/16" flat washers and twelve 5/16" Nylock nuts.

STEP 15 - Run-off Section

Install the Run-off Section to the Outlet Exit Section using six 5/16 x 3/4" hex bolts, twelve 5/16" flat washers and six 5/16" Nylock nuts.

NOTE: Position Run-off Section so that it is flat with the ground surface.



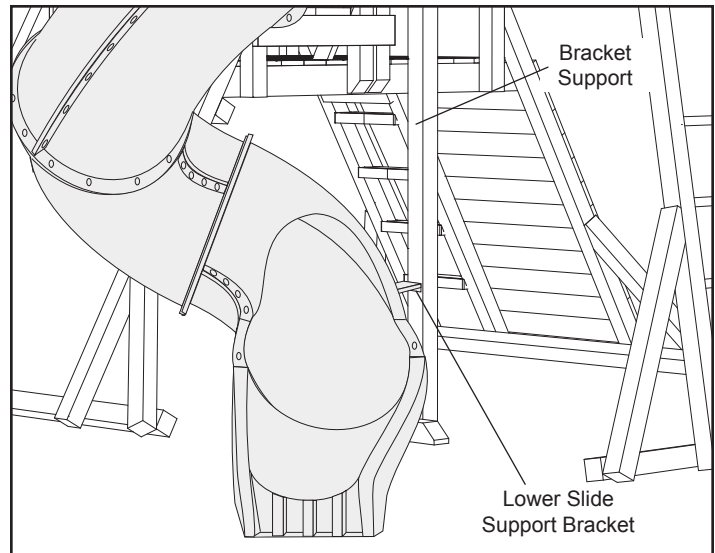
ASSEMBLY INSTRUCTIONS

STEP 16 - Lower Slide Support Bracket

At the point where the Spiral Slide comes closest to the Bracket Support (M), remove two of the hex bolts on the Spiral Slide and attach the Lower Slide Support Bracket (H) using the same hardware.

Mark the place where the holes on the Lower Slide Support Bracket (H) encounter the Bracket Support. Drill 3/8" diameter holes at the marks.

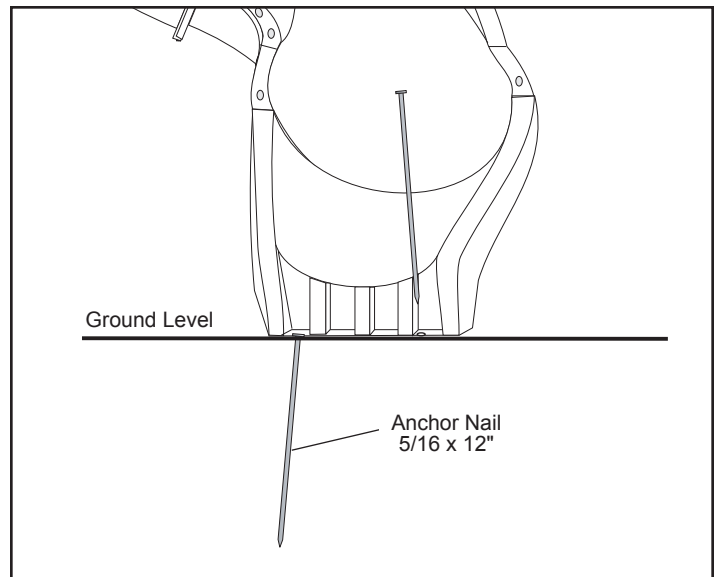
Attach the Lower Slide Support Bracket to the Bracket Support using two 5/16 x 3" Hex Bolt Assemblies.



STEP 17 - Anchoring Run-off Section

Drill two 5/16" holes through each side of the lower flange on the Run-off Section. Hammer the two Anchor Nails into the ground to anchor the front of the Spiral Slide.

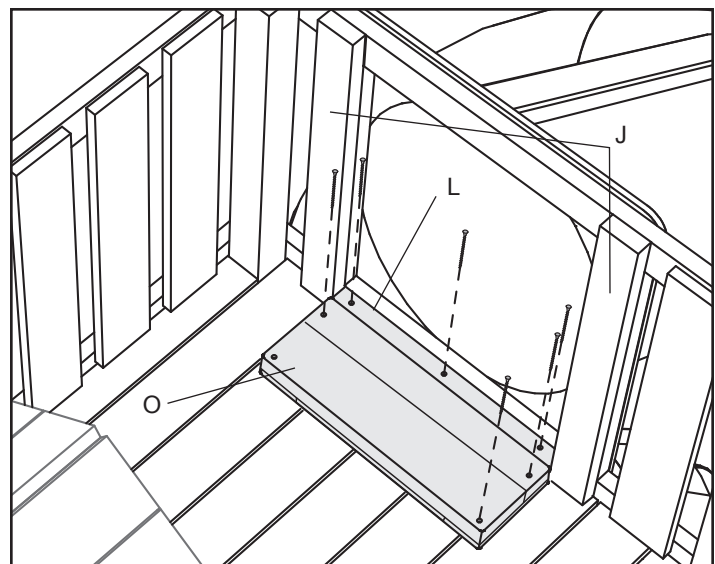
NOTE: The Anchor Nails will hold better if they are driven in at a slight angle as shown in the illustration.



STEP 18 - Bottom Filler and Slide Mount

Locate the Bottom Filler (L) and Slide Mount (O). Place the Bottom Filler against the Platform Support between the Side Supports (J), as shown. Two edges of the Bottom Filler are rounded. Be sure to place the Bottom Filler (N) with the rounded edges up. If the Bottom Filler is too large for the space, trim it to size with a saw.

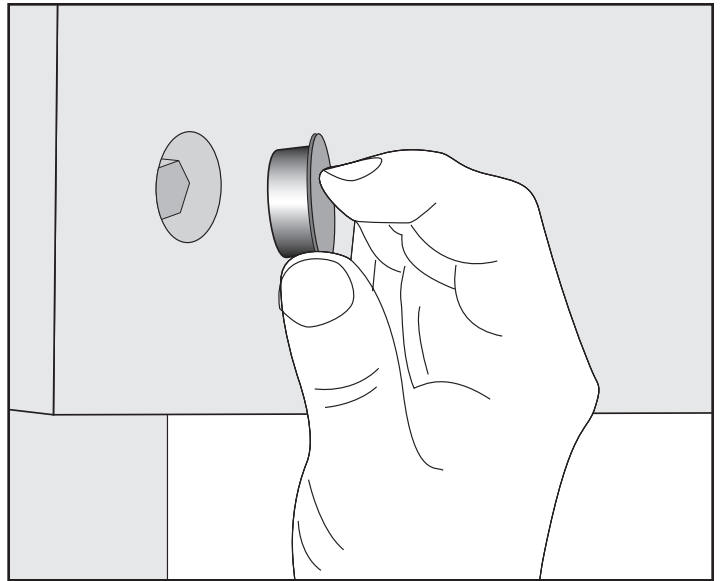
Place the Slide Mount (O) tightly against the Bottom Filler. Center the Slide Mount in front of the slide opening. Fasten the Bottom Filler and the Slide Mount using the #10 x 2-1/2" Wood Screws provided. Do not overtighten the screws. Overtightening may cause the screws to protrude below the Platform Boards.



STEP 19 - Hole Caps

Make a final check and make sure that all fasteners have been tightened.

Locate the 1" Hole Caps in the hardware bag. Install Hole Caps into all the counter-bored holes to cover and protect the hardware.



Save all instruction sheets and receipts in case it becomes necessary to contact Creative Playthings for warranty service and/or part replacement. The warranty can be found in your Owner's Manual.

**Please fill out the warranty card on the back of your owners manual. Your completed warranty card will allow us to quickly process warranty claims.
Thank you.**

FUN DECK SPIRAL SLIDE 19755-100 Rev G (05-23)

© Copyright 2009, Creative Playthings, printed in U.S.A.