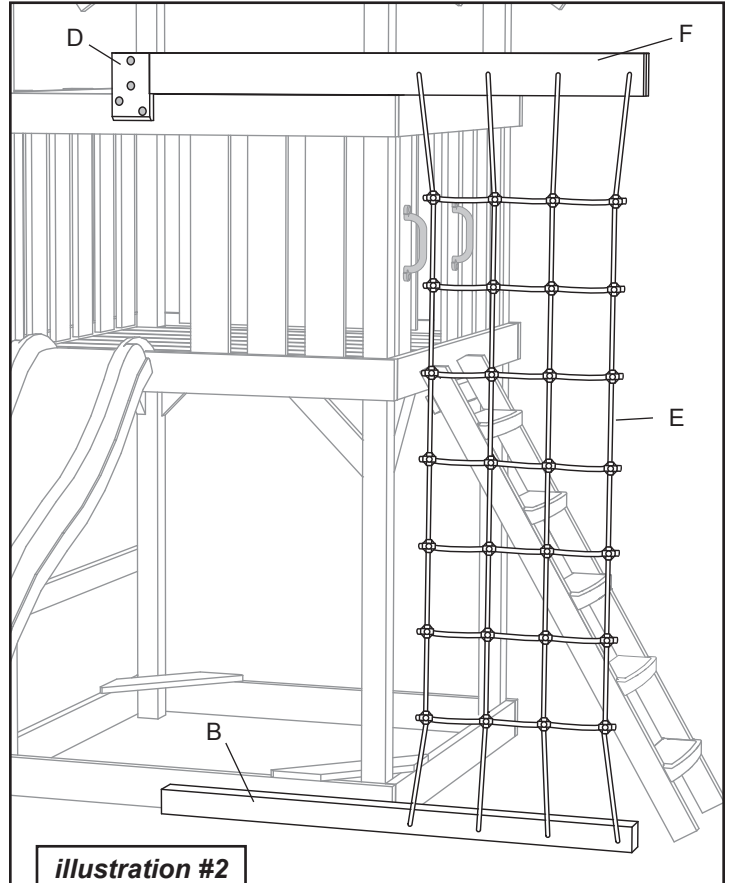
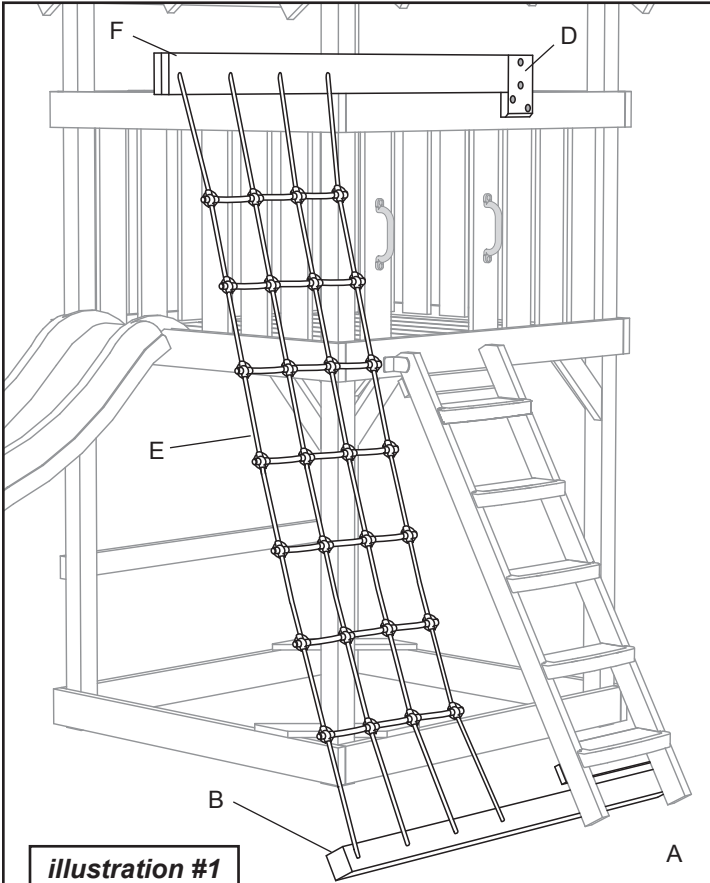


Creative Playthings®

SH947-102 ASSEMBLY MANUAL


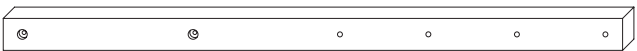
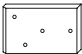

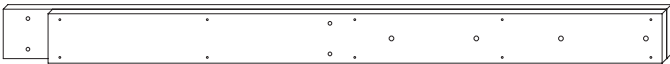
ROPE LADDER



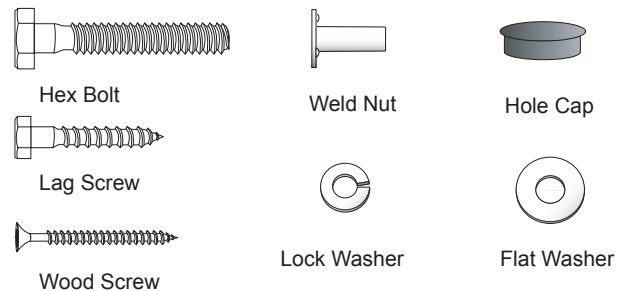
Please review your original Playset Assembly Manual and your Owners Manual before assembly of your Rope Ladder.

All hardware on this set is specially coated for corrosion resistance. If non-Creative Playthings hardware is used, it MUST be galvanized or stainless steel.

WOODEN PARTS

		
A	1	31735-102 Ladder Slat - 5/4 x 3 x 19"
		
B	1	33434-102 Bottom Rope Ladder Support - 4 x 4 x 63"
		
C	1	32469-102 Rope Ladder Anchor, Back - 2 x 6 x 8-3/4"
		
D	1	32470-102 Rope Ladder Anchor, Front - 2 x 6 x 8-3/4"
E	1	40524-100 Deluxe 3/4" Rope Ladder Assembly
		
F	1	40523-102 Top Rope Ladder Beam Assembly
G	1	50353-700 Hardware Bag - Rope Ladder

HARDWARE



Hardware list is on the back page.

TOOLS REQUIRED

- Electric Drill
- Pencil
- 1/4" & 3/8" Drill Bits
- Tape Measure
- #2 Phillips Driver Bit
- 1/2" Socket Wrench

ASSEMBLY INSTRUCTIONS

Rope Ladder SH947-102 is intended for installation on a Williamsburg or Lexington Gym. The Rope Ladder can be mounted to any corner of the gym. On a Gym with a wood roof the Rope Ladder Beam can point in any direction. A tent roof allows the beam to point only toward the front or back of the gym. The Rope Ladder should never be mounted in a place where it interferes with other play accessories. The Rope Ladder Should NEVER be mounted adjacent to swing accessories.

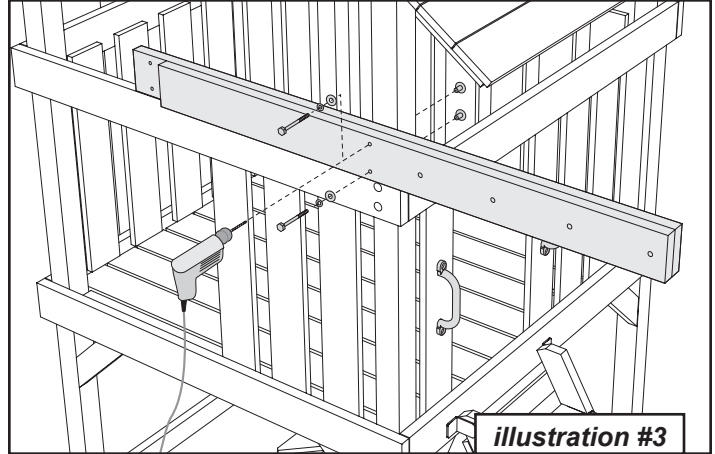
The Base of the Rope Ladder can be mounted to either the Gym or the Access Ladder. Step Three describes the two different methods.

STEP 1 - Top Rope Ladder Beam

Rest the Top Rope Ladder Beam Assembly (F) on the Gym Wall Support in the position desired. The longer board in the Beam Assembly should be directly above the Wall Support. Align the holes in the middle of the Beam Assembly (F) on the center of the adjacent Gym Corner Post. Mark the position of the holes with a pencil. Drill a 3/8" diameter hole through the Corner Post at each pencil mark.

Fasten the Beam Assembly (F) to the Corner Post using two 5/16 x 6" Hex Bolt Assemblies, as shown.

Note: A Hex Bolt Assembly consists of one Hex Bolt, one Lock Washer, one Flat Washer and one Weld Nut.

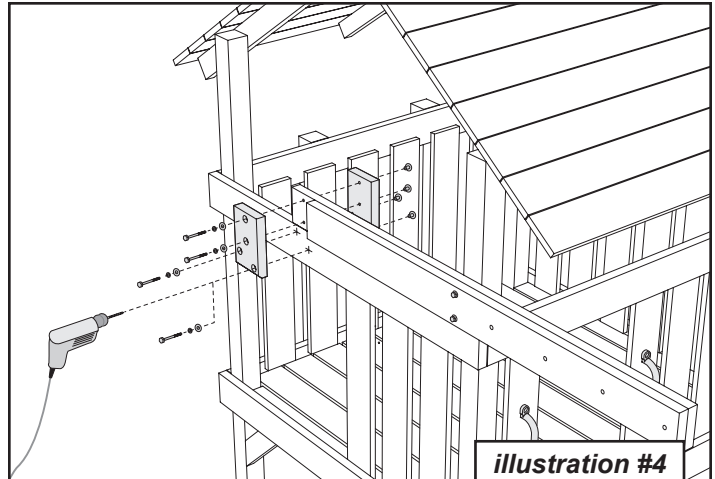


STEP 2 - Rope Ladder Anchors

Align the top two holes in the Front Rope Ladder Anchor (D) with the holes in the Beam Assembly (F). With a pencil, mark the position of the bottom two holes in the Anchor on the Gym Wall Support.

Drill 3/8" diameter holes through the Gym Wall Support at the pencil marks. Fasten the Front Rope Ladder Anchor (D) and the Back Rope Ladder Anchor (C) to the Beam Assembly and Wall Support using four 5/16 x 3-1/2" Hex Bolt Assemblies, as shown.

Fit hole caps into the counter-bored holes of the Front Anchor (D).

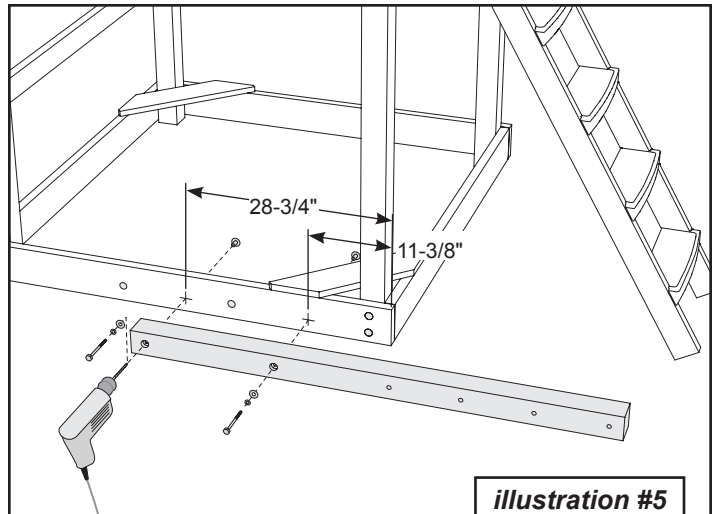


STEP 3a - Bottom Support (Alternative 1)

Lay the Bottom Rope Ladder Support (B) along the base of the Gym below the Top Rope Ladder Beam Assembly (F). The four holes without counter-bores should align directly below the four corresponding holes in the Top Rope Ladder Beam Assembly (F).

Snug the Bottom Support against the sandbox side and mark the position of the counter-bored holes on the Sandbox with a pencil. The holes should be approximately 28-3/4" and 11-3/8" from the end of the sandbox. Drill 3/8" diameter holes through the Sandbox at the pencil marks. Fasten the Bottom Rope Ladder Support (B) to the Sandbox using two 5/16 x 4" Hex Bolt Assemblies.

Fit hole caps into the counter-bored holes.



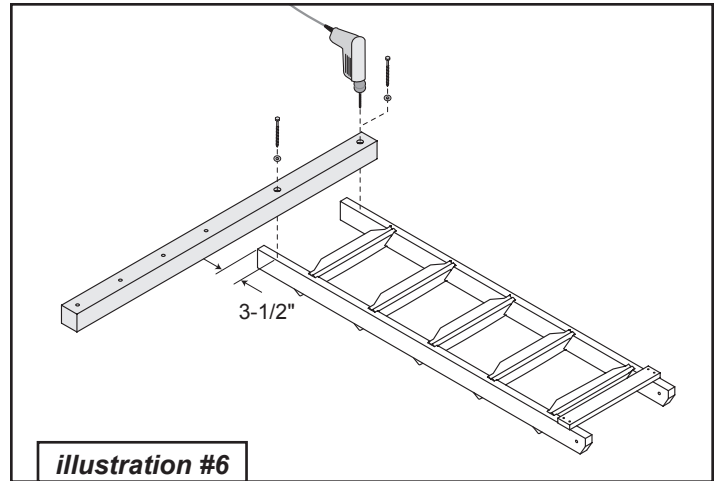
ASSEMBLY INSTRUCTIONS

STEP 3b - Bottom Support (Alternative 2)

Remove the Access Ladder from the Gym. Save the hardware; the Access Ladder will be re-attached.

Lay the Access Ladder face down. Drill a 1/4" diameter pilot hole 1-1/2" deep in the center of each Access Ladder Rail, 3-1/2" from the bottom.

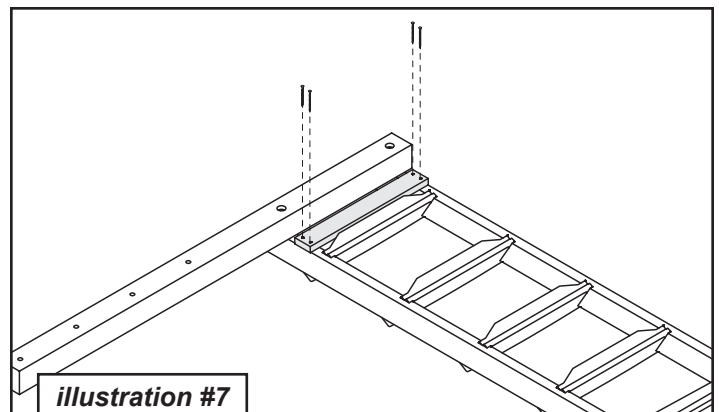
Fasten the Bottom Rope Ladder Support (B) to the Access Ladder using two 5/16 x 4-1/2" Lag Screws and two Flat Washers, as shown. The heads of the Lag Screws and the Washers should set down into the counter-bore in the Bottom Rope Ladder Support (B). Push hole caps into the counter-bored holes.



STEP 3b - Bottom Support (Alternative 2) cont'd

In the space between the bottom step of the Access Ladder and the Bottom Rope Ladder Support (B), fasten the Ladder Slat (A). Use four #10 x 2" Wood Screws.

Re-attach the Access Ladder to the Gym using the hardware originally used.



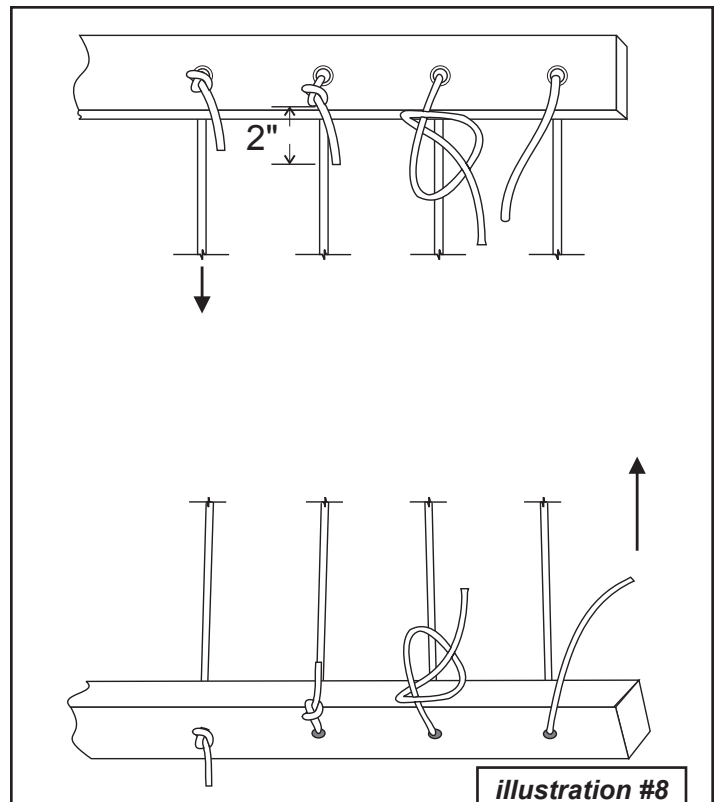
STEP 4 - Rope Ladder Assembly

Install the Rope Ladder Assembly (E) into the four holes provided in the Top Rope Ladder Beam Assembly (F) and tie a knot on the end of each Rope.

Install the bottom ends of the Rope Ladder Assembly (E) into the four holes provided in the Bottom Rope Ladder Support (B) and tie knots on the end of each rope.

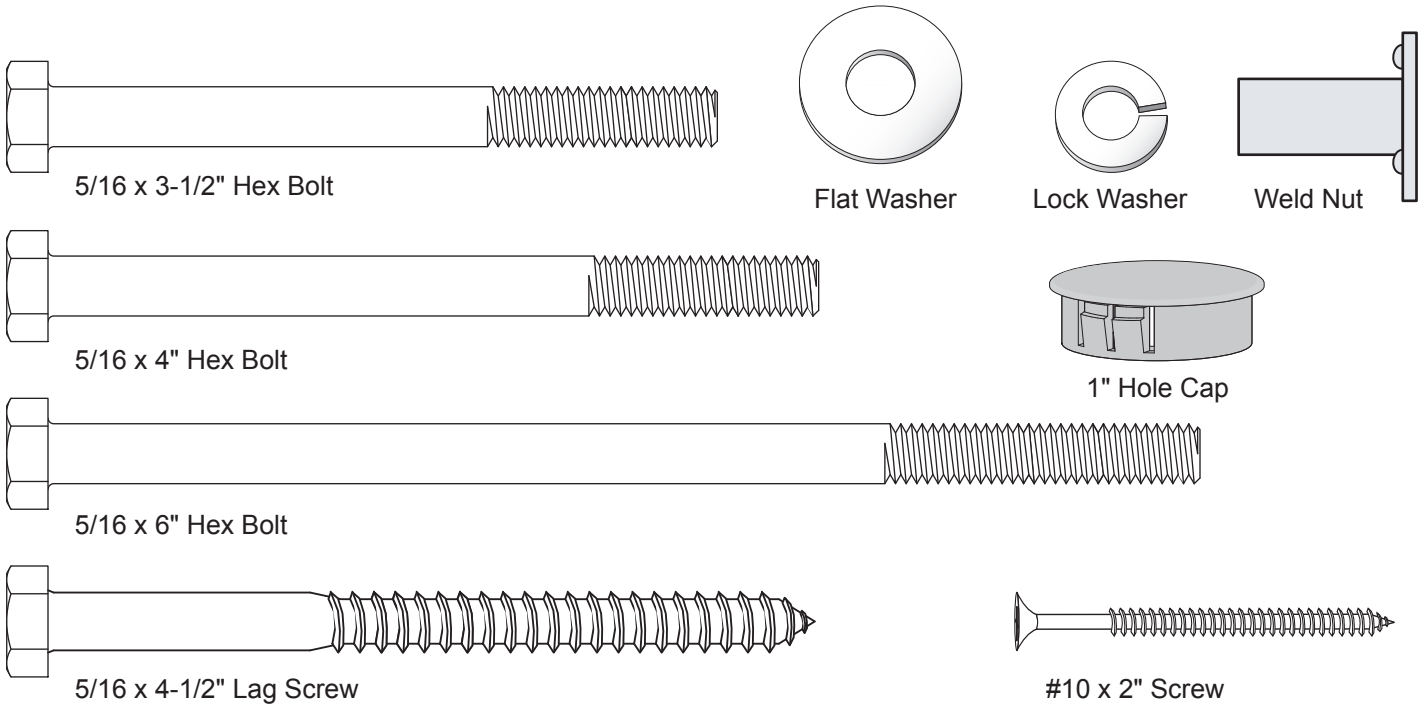
Note the orientation of the rope loop beneath each rung. Your rope ladder should be placed in the same direction.

Check to make sure all hardware is secure and the rope is tightly fastened.



50353-700 Hardware Bag - Rope Ladder

- 8 17001-105 Weld Nut - 5/16"
- 8 12002-206 Flat Washer - 5/16"
- 6 12017-206 Lock Washer - 5/16"
- 4 17020-107 Screw - #10 x 2"
- 4 17003-1411 Hex Bolt - 5/16 x 3 1/2"
- 2 17003-1611 Hex Bolt - 5/16 x 4"
- 2 17003-2411 Hex Bolt - 5/16 x 6"
- 2 17036-1802 Lag Screw - 5/16 x 4-1/2"
- 6 15081-704 1" Hole Cap - Brown



Save all instruction sheets and receipts in case it becomes necessary to contact Creative Playthings for warranty service and/or part replacement. The warranty can be found in your Owner's Manual.

**Please fill out the warranty card on the back of your owners manual. Your completed warranty card will allow us to quickly process warranty claims.
Thank you.**