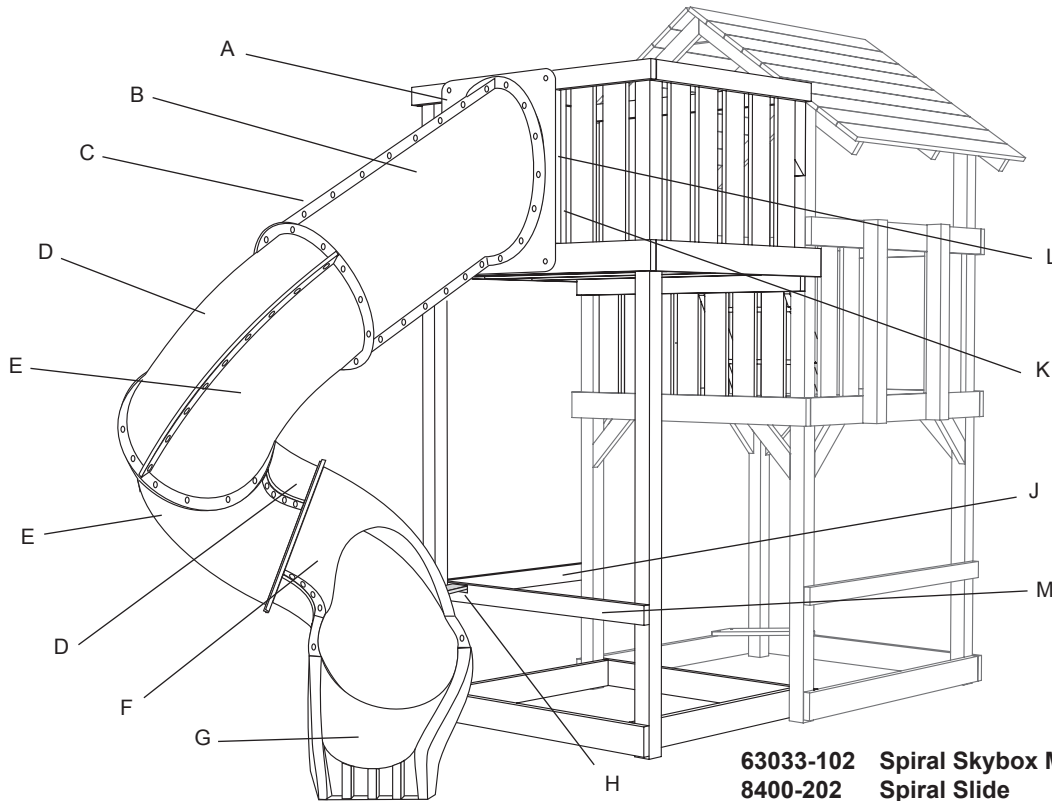


Creative Playthings®

SH902-814 ASSEMBLY MANUAL

PINE SKYBOX SPIRAL SLIDE



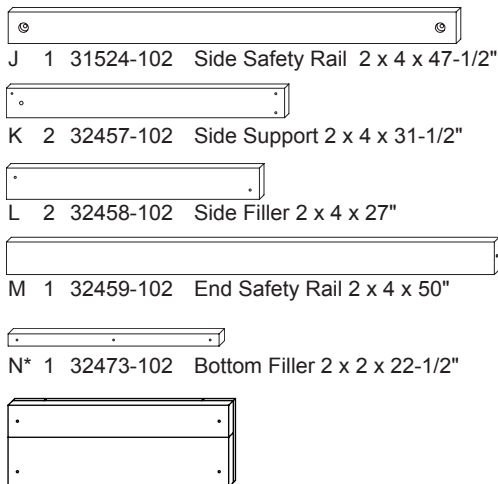
63033-102 Spiral Skybox Mount
8400-202 Spiral Slide

All hardware on this set is specially coated for corrosion resistance. If non-Creative Playthings hardware is used, it **MUST** be galvanized or stainless steel.

Please review your original Playset Assembly Manual and your Owners Manual before assembly of your Spiral Slide.

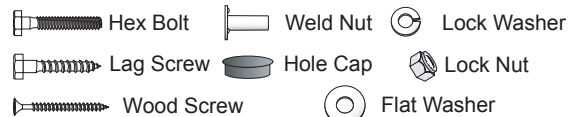
WOODEN PARTS

SH902-814 Spiral Slide - Skybox SP



J	1	31524-102	Side Safety Rail	2 x 4 x 47-1/2"
K	2	32457-102	Side Support	2 x 4 x 31-1/2"
L	2	32458-102	Side Filler	2 x 4 x 27"
M	1	32459-102	End Safety Rail	2 x 4 x 50"
N*	1	32473-102	Bottom Filler	2 x 2 x 22-1/2"
O*	1	15133-400	Slide Mount - Green	
P*	1	50351-701	Hardware Bag - Spiral Slide	
Q*	1	15063-1020	Slide Hardware Pack	

HARDWARE



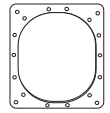
50351-701 Hardware - Spiral Slide Adapter

8	17001-105	Weld Nut 5/16-18
22	12002-206	Flat Washer 5/16"
8	12017-206	Lock Washer 5/16"
3	17003-411	Hex Bolt 5/16 x 1"
2	17003-611	Hex Bolt 5/16 x 1-1/2"
1	17003-811	Hex Bolt 5/16 x 2"
3	17003-1211	Hex Bolt 5/16 x 3"
14	17020-113	Screw #10 x 2-1/2"
4	17036-602	Lag Screw 5/16 x 1-1/2"
8	17036-1002	Lag Screw 5/16 x 2-1/2"
2	17036-2202	Lag Screw 5/16 x 5-1/2"
2	15081-704	1" Hole Cap - Brown

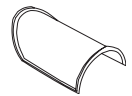
15063-1020 Spiral Hardware Pack - Spiral Slide

96	12002-206	Flat Washer 5/16"
48	12003-411	Hex Bolt 5/16 x 3/4"
4	12003-411	Hex Bolt 5/16 x 1"
48	12052-106	Lock Nut 5/16"

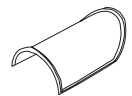
SLIDE PARTS



A-(1) Mounting Plate
P/N 15064-1480-Green



B-(1) Left Entrance
P/N 15064-1475-Green



C-(1) Right Entrance
P/N 15064-1474-Green



D-(2) Top Elbow
P/N 15064-1477-Green



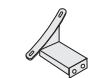
E-(3) Bottom Elbow
P/N 15064-1476-Green



F-(1) Exit Section
P/N 15064-1478-Green



G-(1) Run-Off Section
P/N 15064-1479-Green

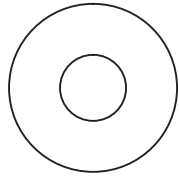


H-(1) Lower Slide Support Bracket
P/N 15064-1120

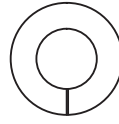
I*-(2) Spiral Slide Anchor Nail
P/N 12100-848

* NOT ILLUSTRATED

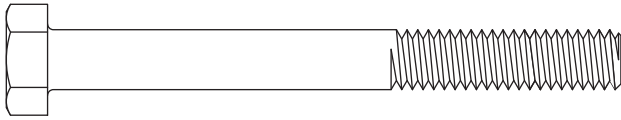
HARDWARE



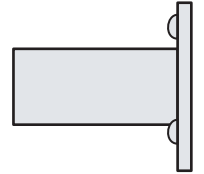
5/16" Flat Washer



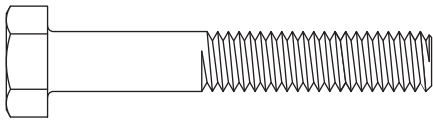
5/16" Lock Washer



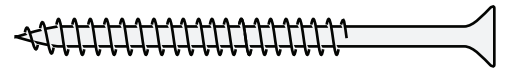
Hex Bolt 5/16 x 3"



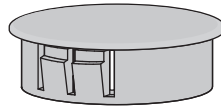
5/16" Weld Nut



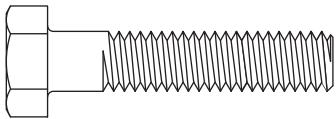
Hex Bolt 5/16 x 2"



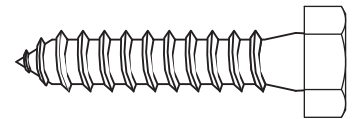
#10 x 2-1/2" Screw



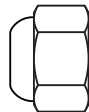
1" Hole Cap



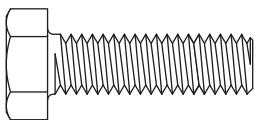
Hex Bolt 5/16 x 1-1/2"



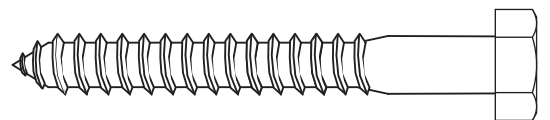
Lag Screw 5/16 x 1-1/2"



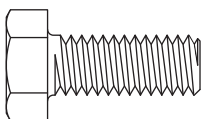
5/16" Lock Nut



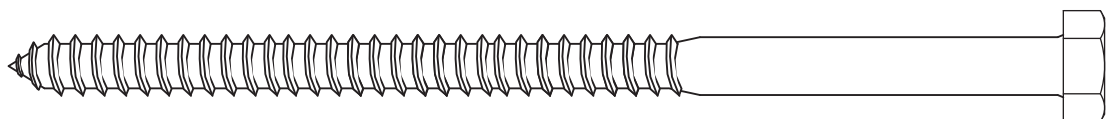
Hex Bolt 5/16 x 1"



Lag Screw 5/16 x 2-1/2"



Hex Bolt 5/16 x 3/4"



Lag Screw 5/16 x 5-1/2"

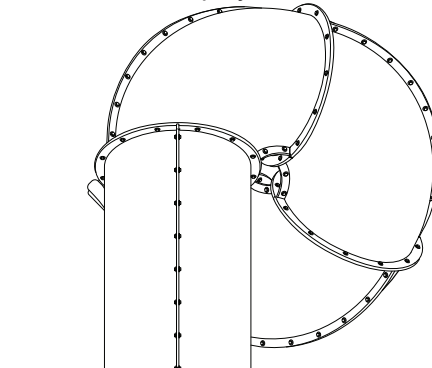
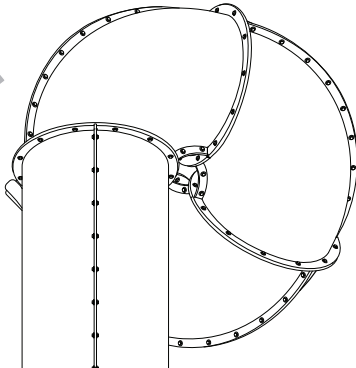
ASSEMBLY INSTRUCTIONS

The Spiral Slide can be mounted on any of the free sides of the Skybox. When choosing a mounting position, ensure the Slide does not interfere with other play areas. The slide should never exit into the path of swings. Some steps in assembly depend on where the Spiral Slide is to be installed. These variations are indicated by a gray border and caption.

Note regarding mounting position on the back of the skybox:

Standard mounting position on the back of the Skybox.

Mount the spiral slide close to the back left of the Skybox if swings are to swing along one side of the play tower.



Do not mount swings along this side.

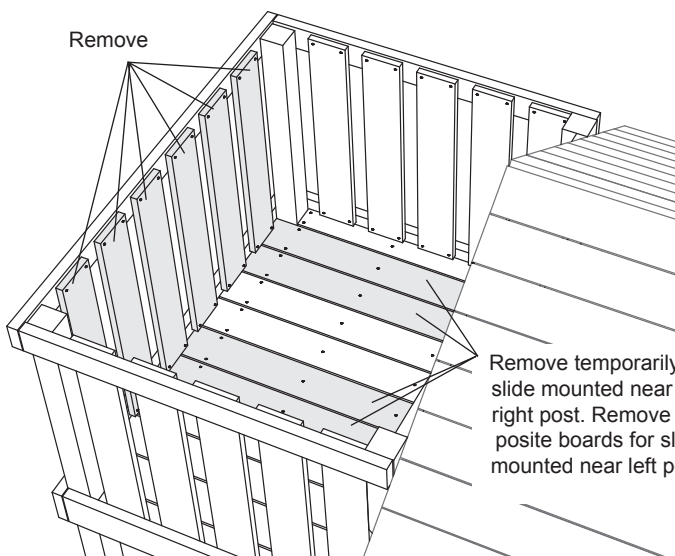
Do not mount swings along this side.

Swings

STEP 1 - Prepare for Installation

First step of installation is to remove certain parts from the Skybox.

End Mounted Spiral Slide



Remove

Remove temporarily for slide mounted near the right post. Remove opposite boards for slide mounted near left post.

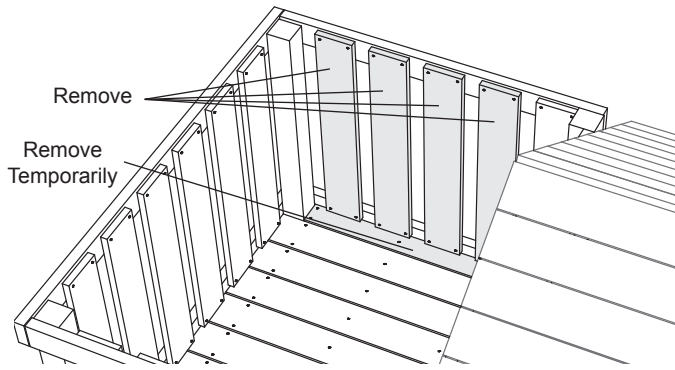
End Mounted Spiral Slide.

Remove the Wall Slats on the back of the Skybox. Some Wall Slats will be re-used. Save extras for future repairs or replacement. To ease installation of the slide, remove the four Platform Boards indicated near the post closest to where the slide is to be mounted. The standard position is indicated at left.

Some Wall Slats and the Platform Boards will be re-installed later.

ASSEMBLY INSTRUCTIONS

Side Mounted Spiral Slide

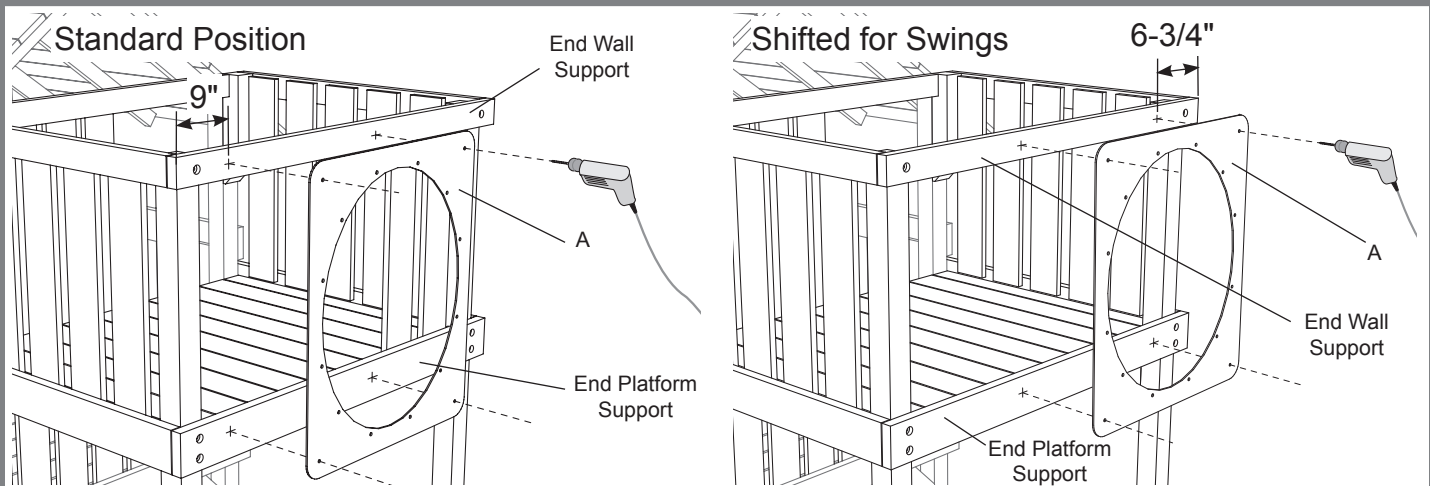


Side Mounted Spiral Slide.

Remove the Wall Slats on the side of the Skybox adjacent to the rear Corner Post. Four Wall Slats will not be re-used. Save them for future repairs or replacement. To ease installation of the slide, remove the Narrow Platform Board adjacent to the opening created. The Narrow Platform Board will be re-installed later.

STEP 2 - Drill Mounting Holes

End Mounted Spiral Slide

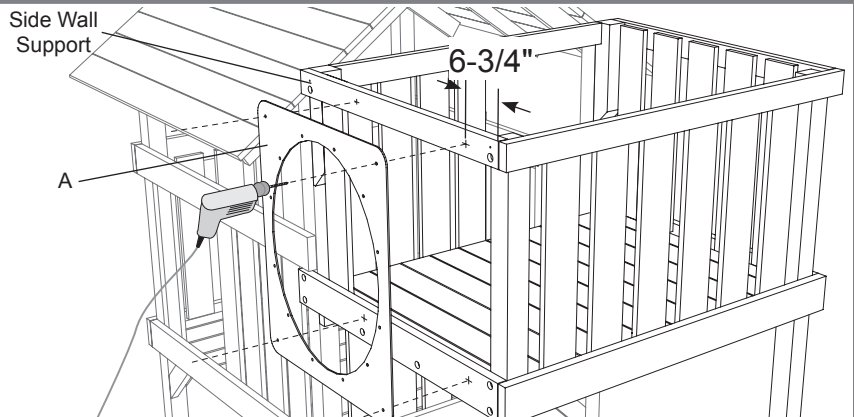


Drill Holes for an End Mounted Slide. Use the Mounting Plate (A) to lay out the mounting hole positions. Align the top edge of the Mounting Plate (A) with the top edge of the End Wall Support. For the standard placement, center the top left hole of the Mounting Plate (A) 9" from the end of the End Wall Support, as shown above left. If swings will pass along the side of the tower, center the top right hole of the Mounting Plate (A) 6-3/4" from the end of the End Wall Support, as shown above right. With a pencil, mark the position of the four holes at the corners of the Mounting Plate (A). Bore holes through the End Wall Support and End Platform Support at the pencil marks, using a 3/8" diameter drill.

Side Mounted Spiral Slide

Drill Holes for a Side Mounted Slide

Use the Mounting Plate (A) to lay out the mounting hole positions. Align the top edge of the Mounting Plate (A) with the top edge of the Side Wall Support. The top left hole of the Mounting Plate (A) should center 6-3/4" from the end of the Side Wall Support, as shown. With a pencil, mark the position of the four holes at the corners of the Mounting Plate (A). Bore holes through the Side Wall Support and Side Platform Support at the pencil marks, using a 3/8" diameter drill.



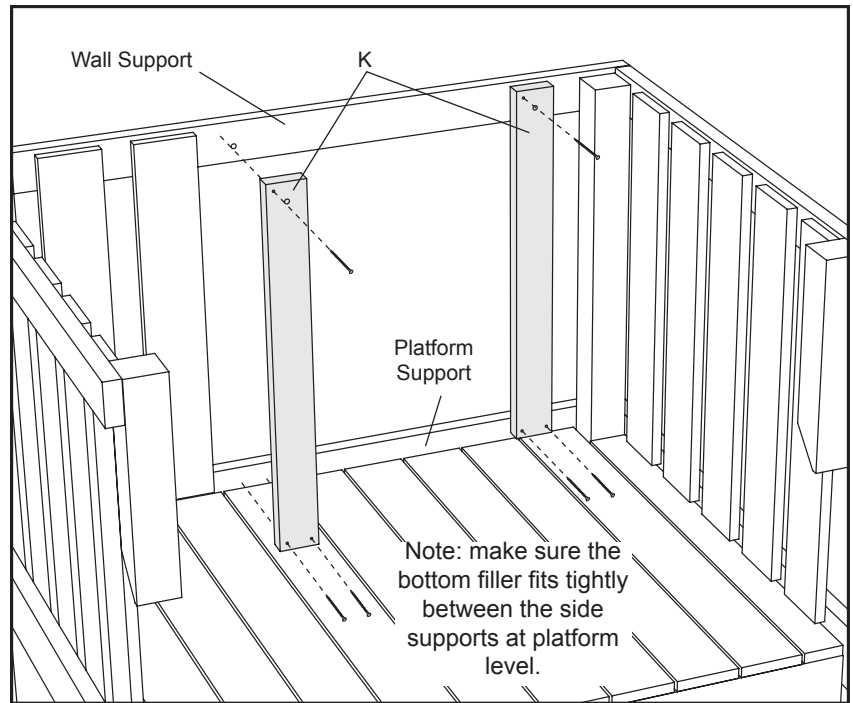
ASSEMBLY INSTRUCTIONS

STEP 3 - Side Supports

Locate the two Side Supports (K). Align the large hole at the top of each Side Support (K) with a hole drilled in the Wall Support in the previous step. Make sure that the Side Supports (K) are plumb. Fasten each Side Support (K) to the Wall Support using one #10 x 2-1/2" Wood Screw through the small holes at the top of the Side Support.

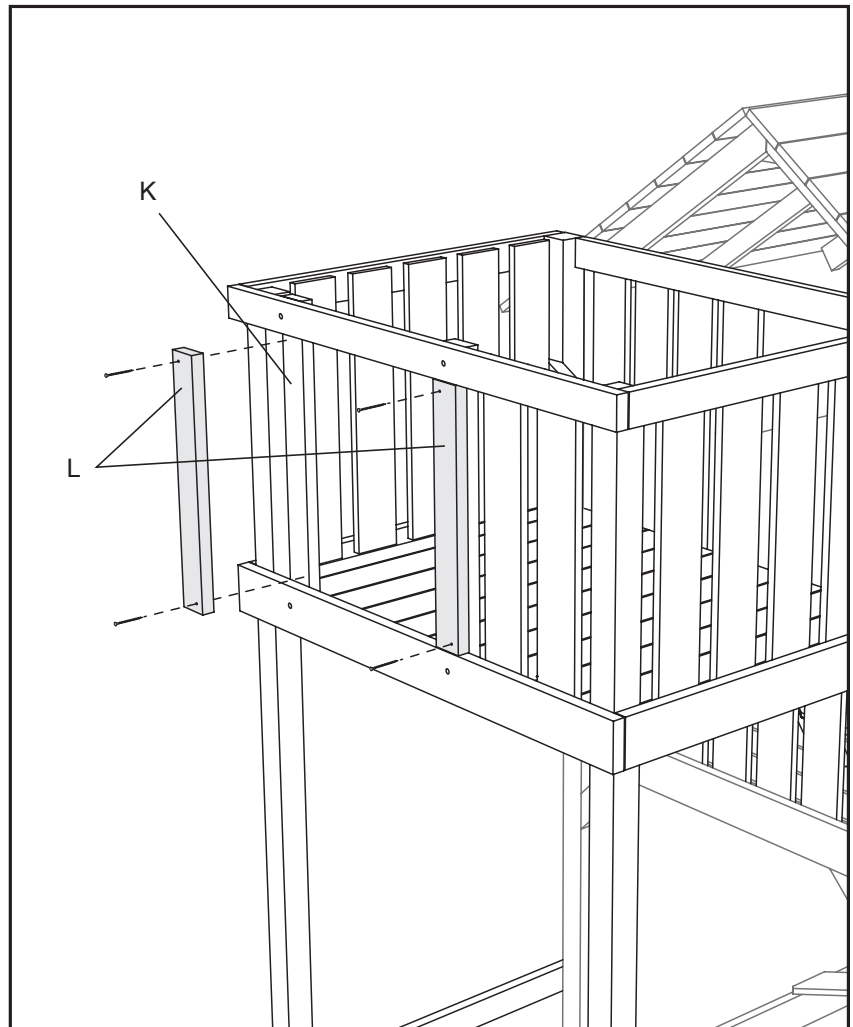
Fasten the bottom each Side Support (K) to the Platform Support using two #10 x 2-1/2" Wood Screws through the small holes at the bottom of the Side Support. The space between the Side Supports should be approximately 24".

Note: This and all subsequent steps show the Spiral Slide attaching to the end of the Skybox. The procedure is the same to mount the Spiral Slide to the side of the Skybox.



STEP 4 - Side Fillers

Fasten a Side Filler (L) to each Side Support (K) using two #10 x 2-1/2" Wood Screws through the holes provided. Make sure that the inside edges of the Side Support (K) and Side Filler (L) are flush.



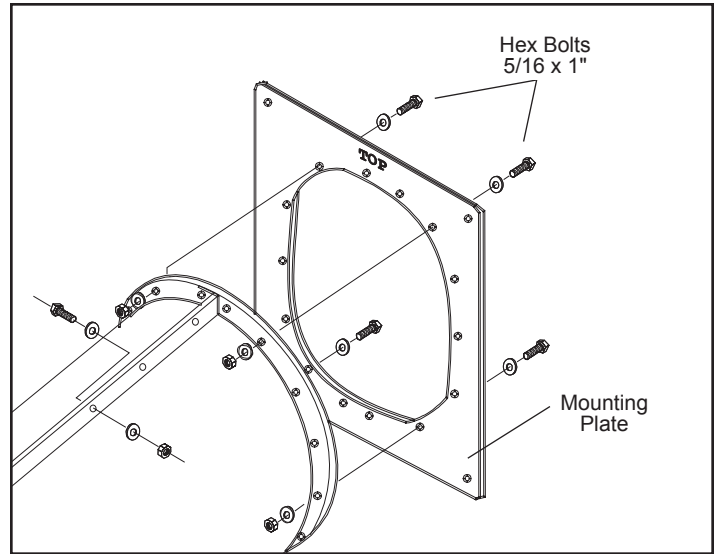
ASSEMBLY INSTRUCTIONS

STEP 5 - Slide Entrance Assembly

Assemble the Left Entrance Section to the Right Entrance Section using fourteen 5/16 x 3/4" hex bolts, twenty-eight 5/16" flat washers and fourteen 5/16" Lock nuts.

Attach the Entrance assembly to the Mounting Plate at the four corners using four 5/16 x 1" hex bolts, eight 5/16" flat washers and four 5/16" Lock nuts as shown in the illustration on the right. Make sure that the Lock nuts are installed to the outside away from the Gym.

NOTE: The Mounting Plate is stamped "TOP". Make sure that it is positioned properly and that all of the holes around the Mounting Plate line up before tightening.



STEP 5 - Entrance Assembly to Gym

Install the Entrance Assembly to the Gym through the two holes in the Wall Support. Attach using two 5/16 x 3" Hex Bolt Assemblies as shown.

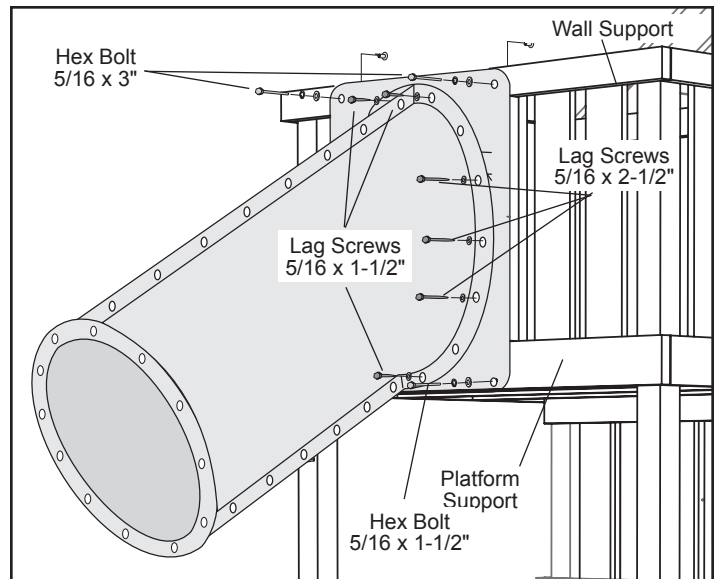
Note: This step will require two people.

Fasten the bottom of the Entrance Assembly to the Gym through the two holes in the Platform Support. Attach using two 5/16 x 1-1/2" Hex Bolt Assemblies as shown.

Attach the Entrance Assembly through the top and bottom two holes using four 5/16 x 1-1/2" lag screws and four 5/16" flat washers.

Attach the side center three holes on both sides using six 5/16 x 2-1/2" lag screws and six 5/16" flat washers.

Important: In any place where hardware penetrates a piece of wood, use the gray coated hardware, which has grater resistance to corrosion.



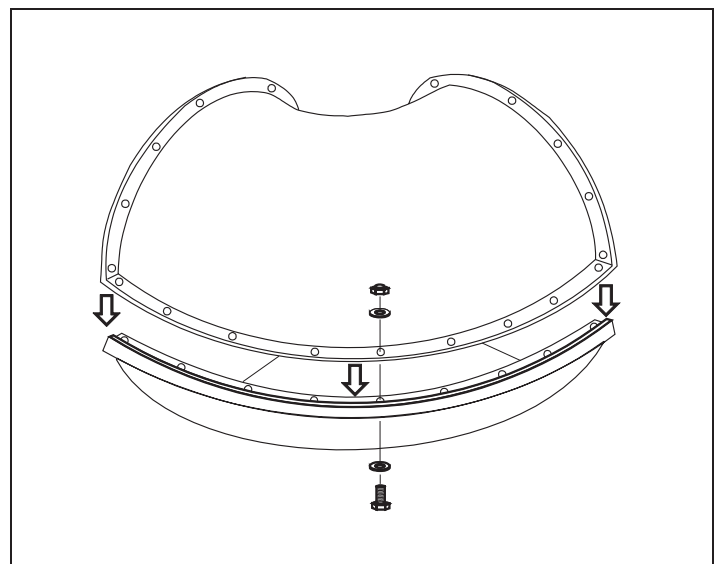
STEP 7 - Assemble Elbow Sections

Locate all of the Elbow Sections.

NOTE: The difference between the top and bottom sections is the male and female flanges.

Assemble each of the two Elbow assemblies using thirteen 5/16 x 3/4" hex bolts, twenty-six 5/16" flat washers and thirteen 5/16" Lock nuts as shown in the illustration.

Assemble the remaining Elbow Section, Outlet Section and the Lower Slide Bracket using thirteen 5/16 x 3/4" hex bolts, twenty-six 5/16" flat washers and thirteen 5/16" Lock nuts.



STEP 8 - First Elbow Section

Position the first Elbow Section directly under the Entrance Section and rotate two holes off center clockwise.

NOTE: There are male and female flanges on all of the sections. Make sure they match properly.

Attach the two sections together using twelve 5/16 x 3/4" hex bolts, twenty-four 5/16" flat washers and twelve 5/16" Lock nuts as shown in the illustration.

STEP 9 - Second Elbow Assembly

Repeat the procedure on Step #8 but rotate the second Elbow Section counter clockwise two bolt holes. Attach using twelve 5/16 x 3/4" hex bolts, twenty-four 5/16" flat washers and twelve 5/16" Lock nuts.

STEP 10 - Outlet Exit Assembly

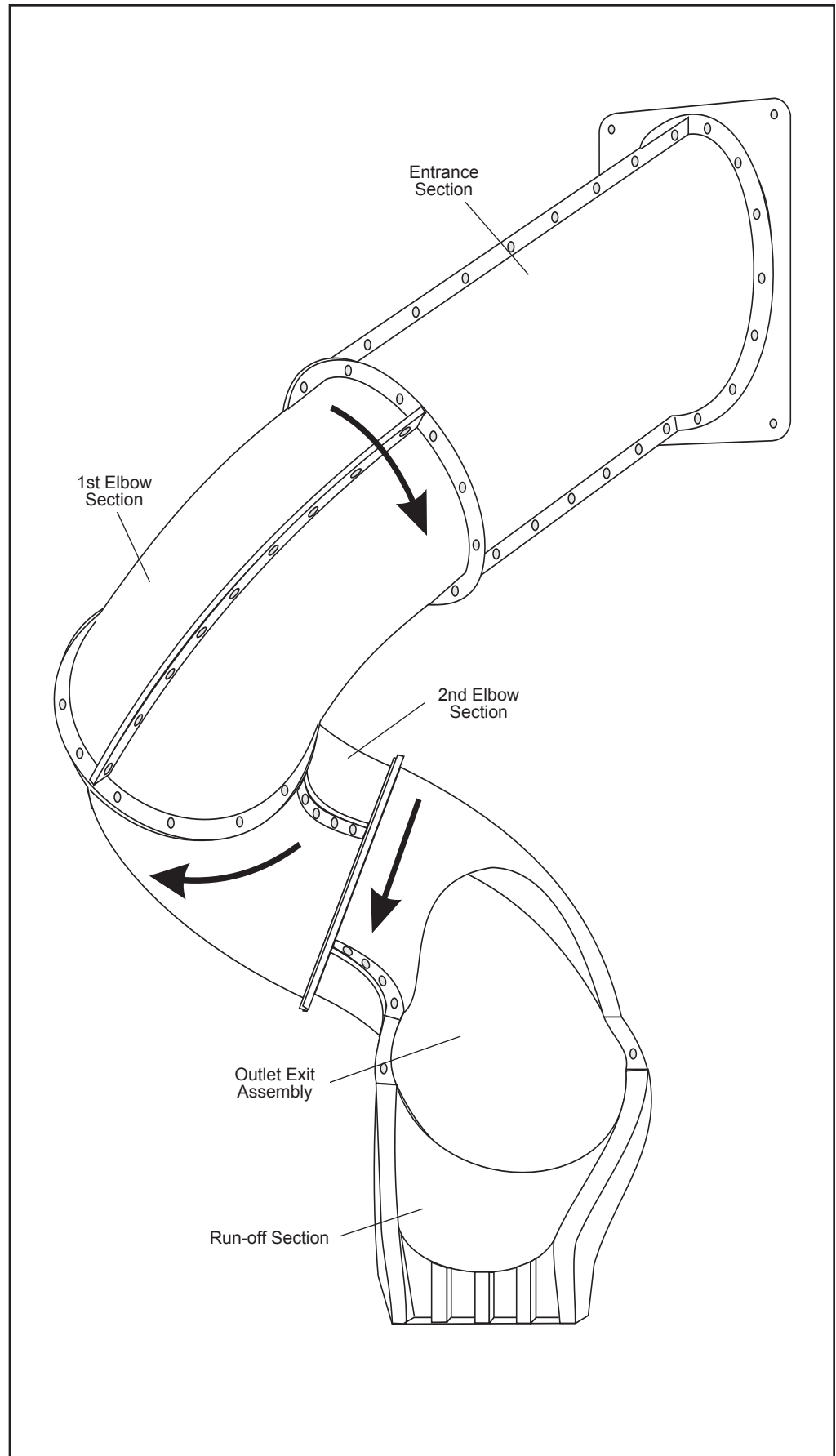
Repeat the procedure on Step #9 and rotate the Outlet Exit Section counter clockwise two bolt holes.

Attach using twelve 5/16 x 3/4" hex bolts, twenty-four 5/16" flat washers and twelve 5/16" Lock nuts.

STEP 11 - Run-off Section

Install the Run-off Section to the Outlet Exit Section using six 5/16 x 3/4" hex bolts, twelve 5/16" flat washers and six 5/16" Lock nuts.

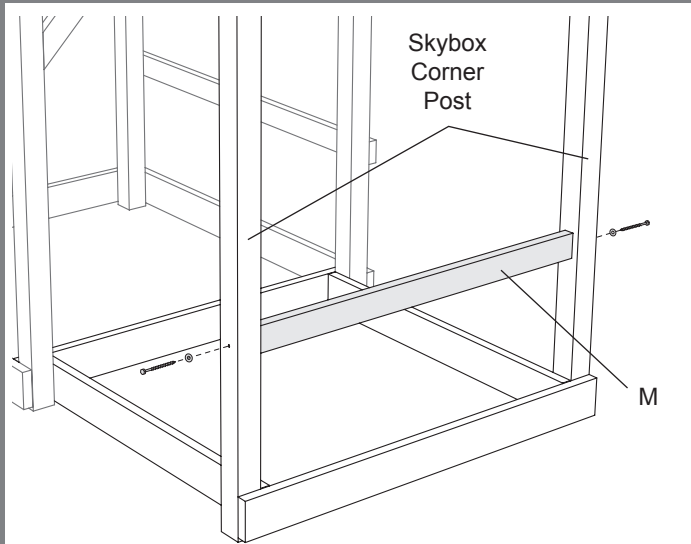
NOTE: Position Run-off Section so that it is flat with the ground surface.



ASSEMBLY INSTRUCTIONS

STEP 12 - Safety Rail

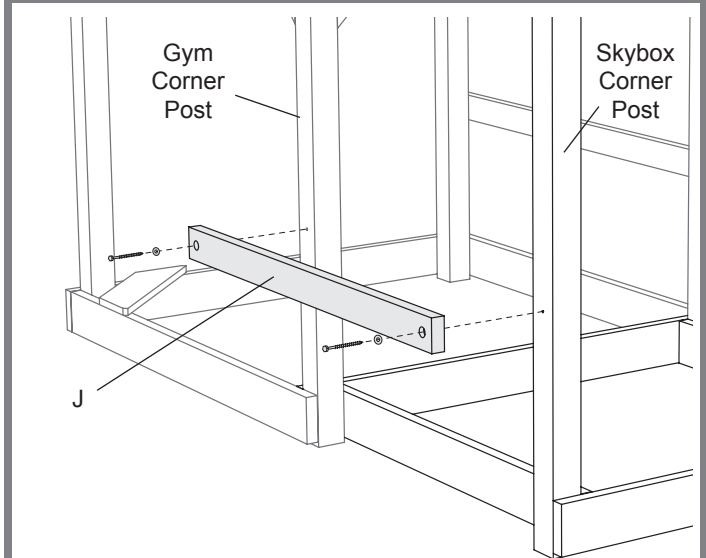
End Mounted Spiral Slide



End Safety Rail.

Locate the small holes in the Skybox Corner Posts approximately 24" up from the bottom of the Posts. Drill out these holes to 9/32" diameter. Fasten the End Safety Rail (M) between the Corner Posts using two 5/16 x 5-1/2" Lag Screws and two Flat Washers, as shown. It may help to lubricate the threads of the lag screw with wax.

Side Mounted Spiral Slide



Side Safety Rail.

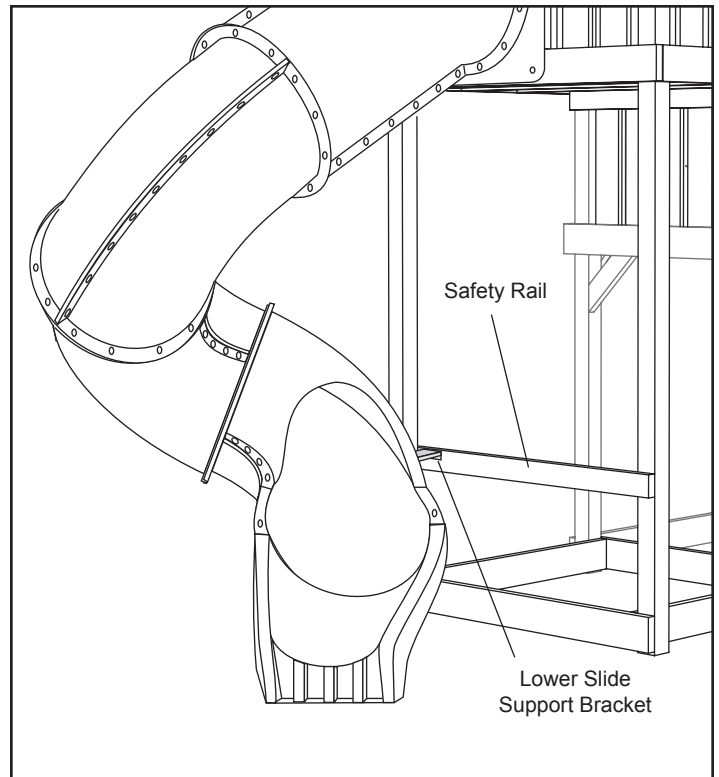
Locate the small holes in the Skybox Corner Posts approximately 24" up from the bottom of the Posts. Drill out these holes to 9/32" diameter. Fasten the Side Safety Rail (J) to the Gym Corner Post and Skybox Corner Post using two 5/16 x 2-1/2" Lag Screws and two Flat Washers, as shown. It may help to lubricate the threads of the lag screw with wax.

STEP 13 - Lower Slide Support Bracket

At the point where the Spiral Slide comes closest to the Safety Rail (J or M), remove two of the hex bolts on the Spiral Slide and attach the Lower Slide Support Bracket (H) using the same hardware.

Mark the place where the holes on the Lower Slide Support Bracket (H) encounter the Safety Rail. Drill 3/8" diameter holes at the marks.

Attach the Lower Slide Support Bracket to the Safety Rail (J or M) using two 5/16 x 1-1/2" Hex Bolt Assemblies.

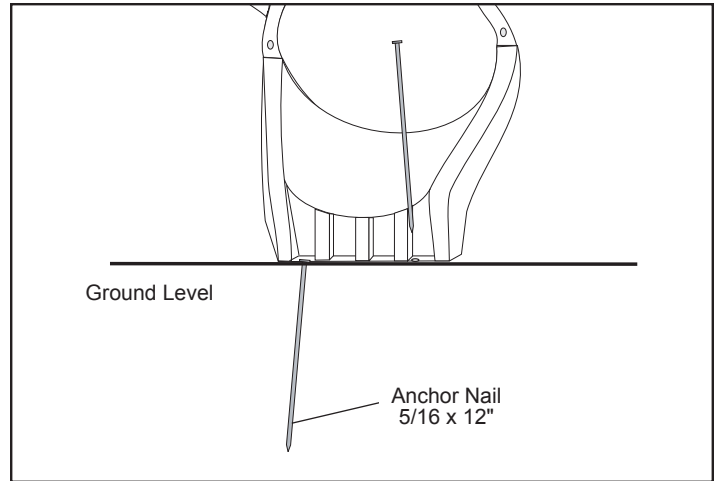


ASSEMBLY INSTRUCTIONS

STEP 14 - Anchoring Run-off Section

Drill two 5/16" holes through each side of the lower flange on the Run-off Section. Hammer the two Anchor Nails into the ground to anchor the front of the Spiral Slide.

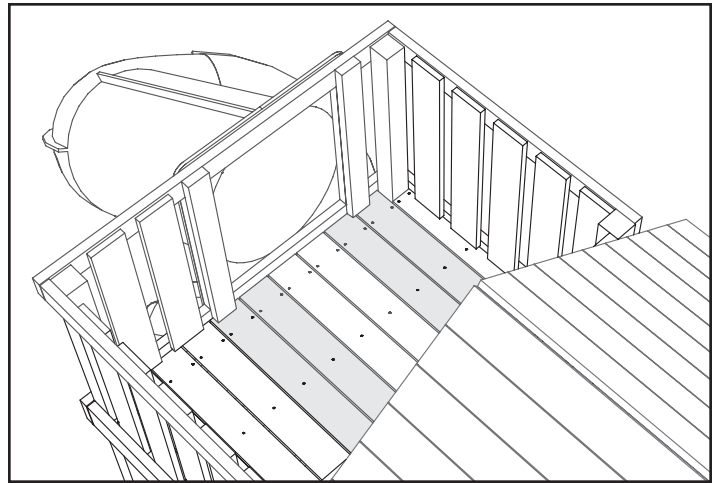
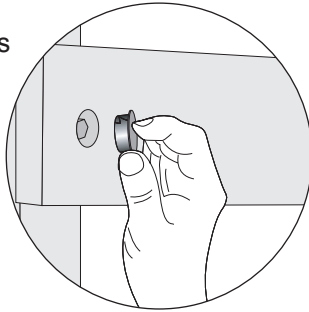
NOTE: The Anchor Nails will hold better if they are driven in at a slight angle as shown in the illustration.



STEP 15 - Restore Platform Boards

Restore the Platform Boards that were removed in step one using the screws originally used.

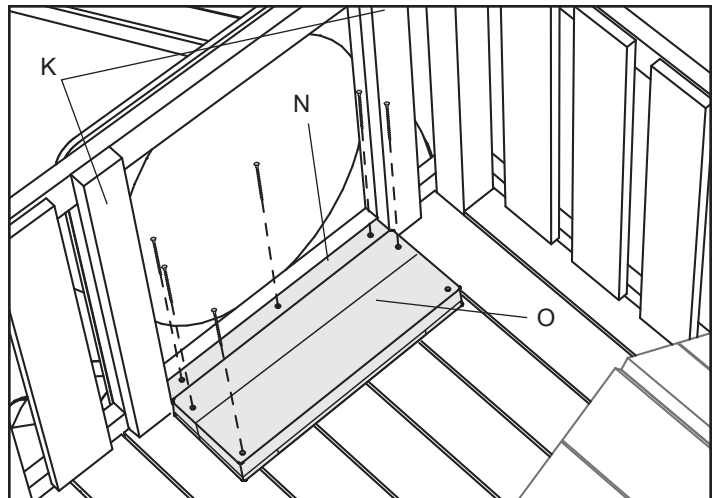
Check to make sure all hardware is tight and secure. Insert Hole Caps into the counter-bored holes on the Side Safety Rail (if used).



STEP 16 - Bottom Filler and Slide Mount

Locate the Bottom Filler (N) and Slide Mount (O). Place the Bottom Filler (N) against the Platform Support between the Side Supports (K), as shown. Two edges of the Bottom Filler are rounded. Be sure to place the Bottom Filler (N) with the rounded edges up.

Place the Slide Mount (O) tightly against the Bottom Filler (N). Center the Slide Mount in front of the slide opening. Fasten the Bottom Filler (N) and the Slide Mount using the #10 x 2-1/2" Wood Screws provided. Do not overtighten the screws. Overtightening may cause the screws to protrude below the Platform Boards.



Save all instruction sheets and receipts in case it becomes necessary to contact Creative Playthings for warranty service and/or part replacement. The warranty can be found in your Owner's Manual. Please fill out the warranty card on the back of your owners manual. Your completed warranty card will allow us to quickly process warranty claims.

Thank you.