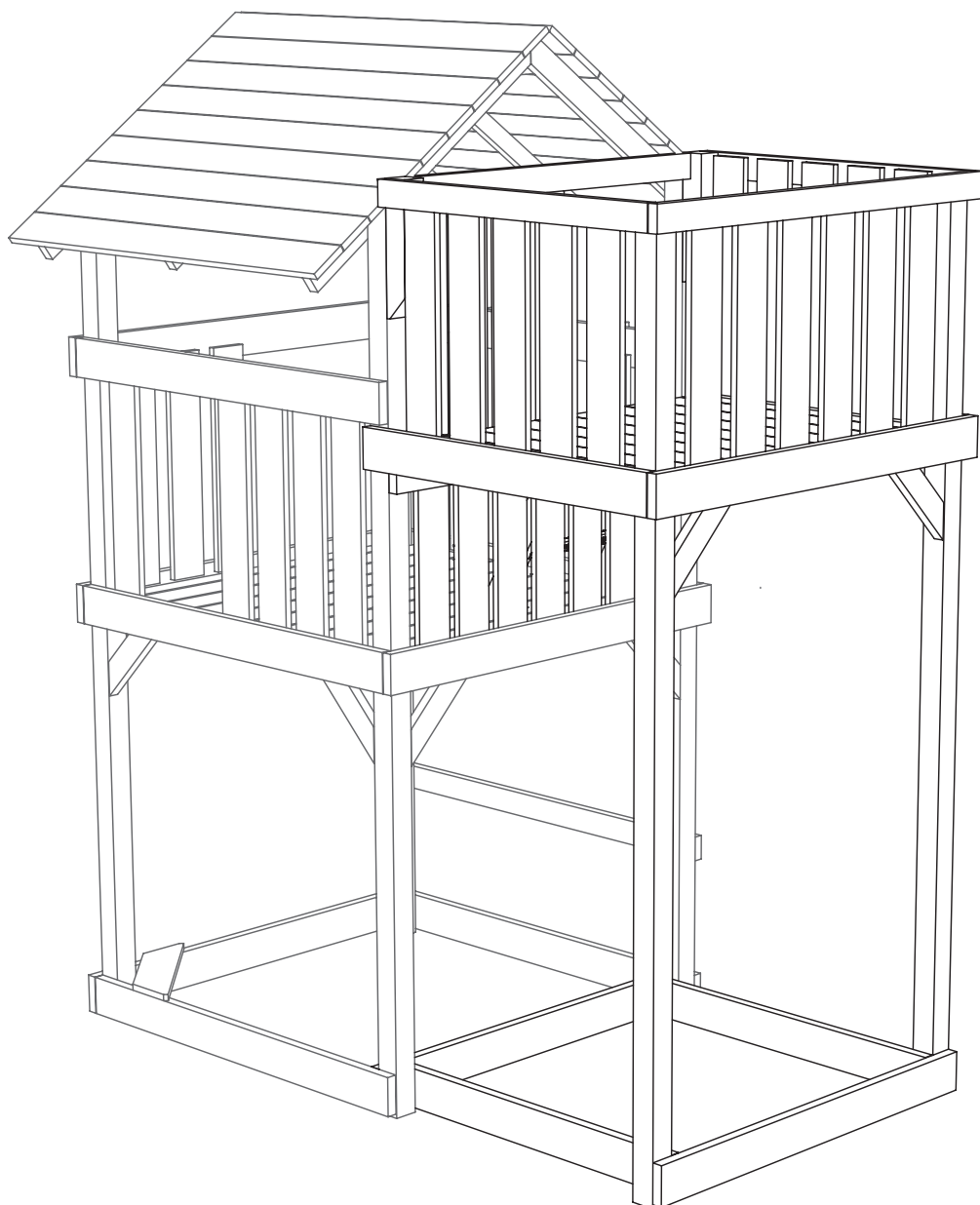


MODEL #SH901-700
ASSEMBLY MANUAL

SKYBOX PLAY DECK

Creative Playthings®



Please read the owner's manual before assembling your play set. It provides additional information on the care and use of your play set. You must carefully read the entire instruction manual before proceeding with the assembly or use of your new play set.

All hardware on this set is specially coated for corrosion resistance. If non-Creative Playthings hardware is used, it **MUST** be galvanized or stainless steel.

Creative Playthings takes great care to design its products with your child's safety in mind. However, only with careful supervision and proper safety instructions, can you be assured of safe play time on any product designed for children.

PLAY SET SAFETY

FOR SAFETY SAKE, PLEASE TAKE TIME TO READ ALL INSTRUCTIONS COMPLETELY AND CAUTION YOUR CHILDREN APPROPRIATELY.

Observing the following statements & warnings reduces the likelihood of serious or fatal injury:

- Children should use equipment only in its intended manner.
- Children should not wear loose or stringed clothing while using playground equipment.
- Children should not play on equipment in wet weather conditions due to potentially slippery surfaces.
- Children should NOT walk too closely in front of, behind, or between moving swings and trapezes.
- Children should NOT swing empty swing seats.
- Children should NOT jump off swings and/or trapeze while they are in motion.
- Children should NOT twist swing chains because this will reduce the strength of the chain and connectors.
- Children should sit in the center of the swings with their full weight on the seats.
- Do not allow children under age 7 to use monkey bars unless supported by an adult.
- Children should NOT be on the top surface of the monkey bars or swing beam.
- On-site adult supervision is required at all times for children of all ages.
- Until assembly is complete, DO NOT let your children use the play set.
- Never fasten anything not approved by Creative Playthings to your play set. Accessories or items not approved by Creative Playthings include; Dog runs, clothes lines, electrical devices, or bird feeders etc.
- Suspended ropes, chains, and cables must be secured at both ends.
- Suspended ropes, chains, and cables must not be capable of looping back on themselves.
- Do not allow more than 120 lbs. on Single occupancy swing accessories such as the Sling Swing and Trapeze.
- Do NOT allow more than 175 lbs. on multiple use swing accessories such as the Back-to-Back Plastic Horse, and Wooden Lawn Swing Glider.
- Do NOT allow more children on the play set than can simultaneously use all the swing stations at one time.
- Children should NEVER wear bicycle helmets while playing on the play set.

Assembly Safety:

- Keep the work area clean and clear of obstructions.
- Children should stay out of the work area until the safe play area is cleared of obstacles, the play set has been completely assembled, all hardware has been tightened and checked, and all tools have been picked up.
- Keep children off the play set until it has been completely assembled.
- Some parts of the assembly process may require help from another competent adult.
- Do not stand on the platform until the play set has been completely assembled, use a step ladder if you can not reach high enough.
- Follow the manufacturers' safety recommendations for the tools and equipment you use.
- Avoid assembling your play set in poor weather conditions.
- Wear proper clothing and safety equipment (safety glasses, boots, and gloves) while assembling your play set.

SAFE PLAY AREA

SELECTING THE CORRECT LOCATION FOR YOUR PLAY PRODUCT IS IMPORTANT FOR YOUR CHILDREN'S SAFETY AND THE PRODUCT'S LONGEVITY.

Play Set Dimensions:

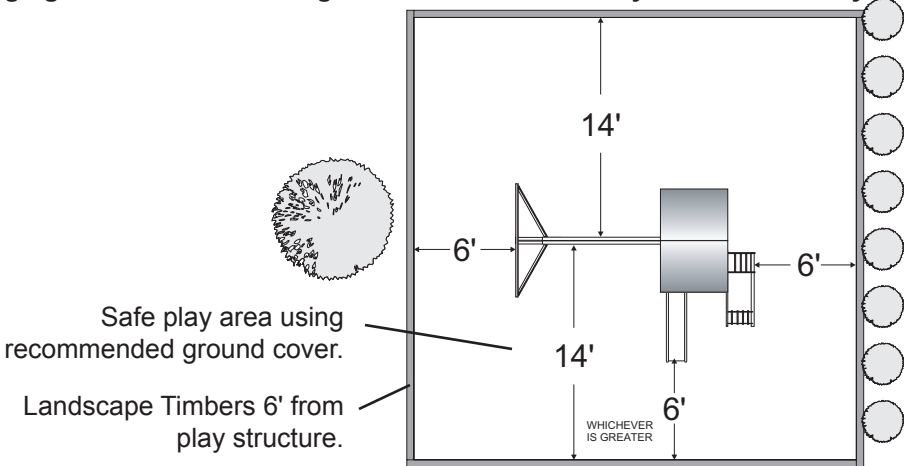
- The Skybox play set has ground dimensions of 4'-0" x 5'-0"
- The Skybox play set Accessory adds 4'-0" to the Safe Play Area at the end of your play set.
- Additional accessories may increase the size of the Safe Play Area.
- The maximum fall height for your Skybox is 120" as measured from the top of the Wall Supports.

Safe Play Area:

- The Safe Play Area refers to a zone extending 6' beyond the play set on all sides, including the slide and the space above the play set. Because children may deliberately jump from a moving swing, the Safe Play Area must be extended to 14 in front of and behind a swinging Accessory.
- The ground surface must be level. Installing your play set on sloping ground can cause it to lean or "rack". This leaning puts additional stress on all connections and joints and in time will cause those connections to loosen and fail.
- The Safe Play Area must be free of all structures, landscaping, trees and branches, rocks, wires, and other obstacles to safe play. Children can be seriously injured running, or swinging into these obstacles.
- Remove all tripping hazards from the Safe Play Area. Tripping hazards include; roots, stumps, rocks, landscaping, sprinkler heads, railroad ties, plumbing and electrical connections.
- Do not install your play set over concrete, gravel, asphalt, packed earth, or any other hard surface. The following is a list of recommended ground covers from the Consumer Product Safety Commission.

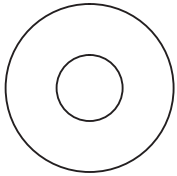
| RECOMMENDED GROUND COVER | |
|----------------------------|--------------------|
| Suggested Material | Uncompressed Depth |
| Double Shredded Bark Mulch | 9" |
| Uniform Wood Chips | 12" |
| Fine Gravel | 12" |
| Fine Sand | 12" |

- Any edging used to contain the ground cover must be beyond the Safe Play Area. (i.e.. Landscape Timbers)

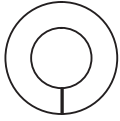


A FALL ONTO A HARD SURFACE COULD RESULT IN SERIOUS INJURY.

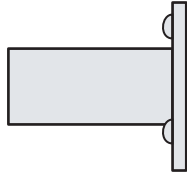
HARDWARE BAG CONTENTS



5/16" Flat Washer

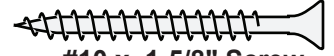
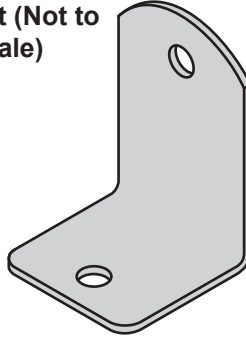


5/16" Lock Washer



5/16" Weld Nut

Access Ladder Bracket (Not to Scale)



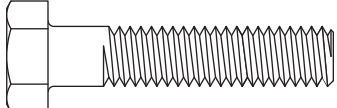
#10 x 1-5/8" Screw



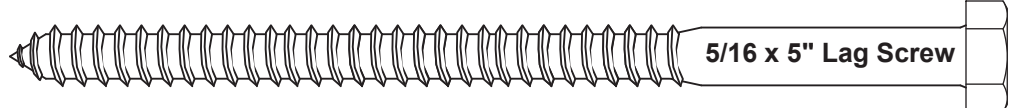
#10 x 2" Screw



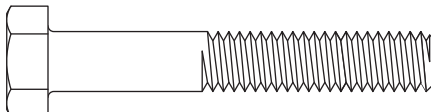
#10 x 2-1/2" Screw



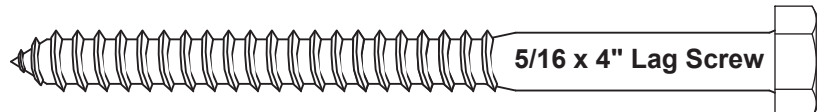
5/16 x 1-1/2" Hex Bolt



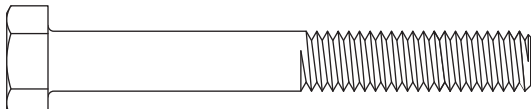
5/16 x 5" Lag Screw



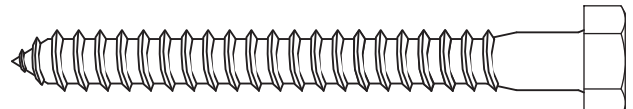
5/16 x 2" Hex Bolt



5/16 x 4" Lag Screw



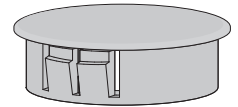
5/16 x 2-1/2" Hex Bolt



5/16 x 3" Lag Screw



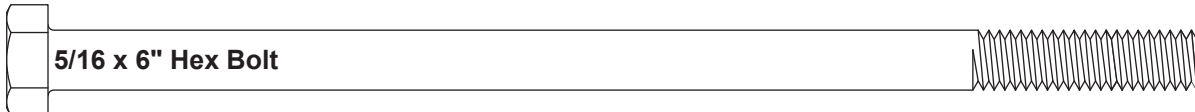
5/16 x 4" Hex Bolt



1" Hole Cap



5/16 x 5-1/2" Hex Bolt



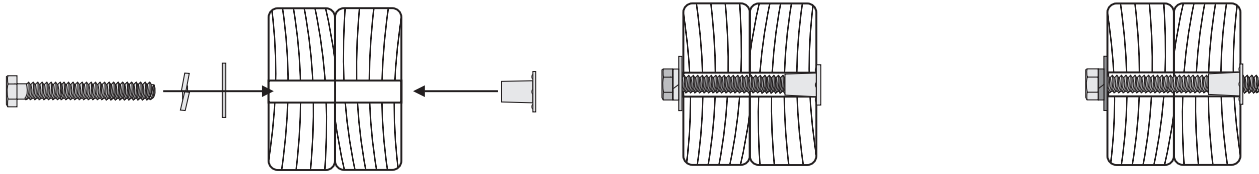
5/16 x 6" Hex Bolt

| 50350-700 | | Hardware Bag - Skybox | | 15081-704 | |
|-----------|------------|--------------------------|----|-----------|--------------------|
| 52 | 17001-105 | Weld Nut - 5/16"-18 | 52 | 15081-704 | Hole Cap 1", Brown |
| 52 | 12017-206 | Lock Washer - 5/16" | | | |
| 62 | 12002-206 | Flat Washer - 5/16" | | | |
| 2 | 17003-611 | Hex Bolt - 5/16 x 1-1/2" | | | |
| 4 | 17003-811 | Hex Bolt - 5/16 x 2" | | | |
| 2 | 17003-1011 | Hex Bolt - 5/16 x 2-1/2" | | | |
| 33 | 17003-1611 | Hex Bolt - 5/16 x 4" | | | |
| 6 | 17003-2211 | Hex Bolt - 5/16 x 5-1/2" | | | |
| 4 | 17003-2411 | Hex Bolt - 5/16 x 6" | | | |
| 105 | 17020-115 | Screw - #10 x 1-5/8" | | | |
| 70 | 17020-107 | Screw - #10 x 2" | | | |
| 18 | 17020-113 | Screw - #10 x 2-1/2" | | | |
| 4 | 17036-1202 | Lag Screw - 5/16 x 3" | | | |
| 4 | 17036-1602 | Lag Screw - 5/16 x 4" | | | |
| 2 | 17036-2002 | Lag Screw - 5/16 x 5" | | | |
| 2 | 14161-400 | Access Ladder Bracket | | | |

We have packaged more hardware than is required for assembly.

CREATIVE PLAYTHINGS PLAY SETS USE A FEW STANDARD CONNECTIONS. BECOMING FAMILIAR WITH THESE CONNECTIONS WILL SIMPLIFY ASSEMBLY AND INSURE A SAFER PLAY PRODUCT FOR YOUR CHILDREN.

Hex Bolt & Weld Nut Assembly Procedure:



Assembly Layout:

Align the holes in the parts to be fastened. Start preliminary tightening of bolt into weld nut by hand. Tighten each bolt with a wrench until the lock washer is fully compressed between the head of the bolt and the flat washer. See Illustrations 5 and 6.

Correct Assembly:

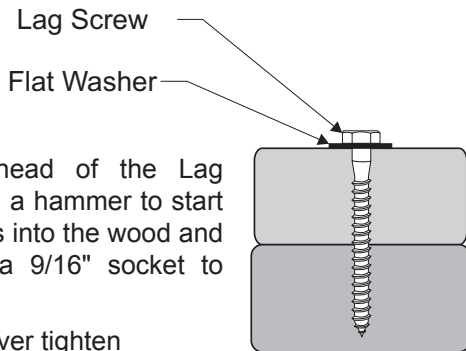
Bolt has been screwed securely into weld nut and the connection is tight. Check connections periodically for tightness during the life of the play set. **Do not over tighten.**

Incorrect Assembly:

During assembly or maintenance the bolt protrudes 1/8" past the weld nut. Call customer service or replace the bolt at a local hardware store. You may be overtightening or using the wrong size bolt.

Failure to replace this bolt with a shorter one could result in serious injury.

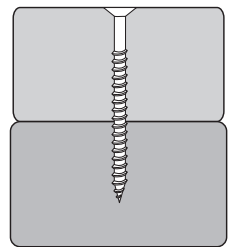
Typical Installation - Lag Screws:



- Tap the head of the Lag Screw with a hammer to start the threads into the wood and then use a 9/16" socket to tighten.
- DO NOT over tighten

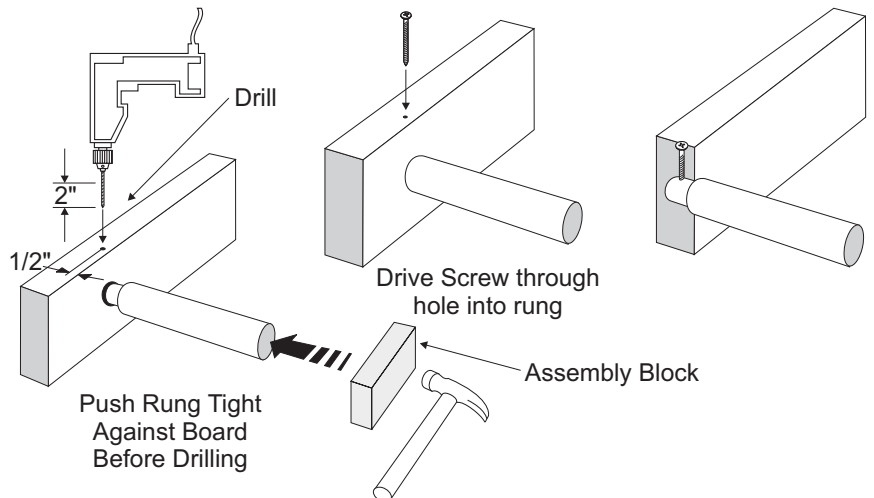
Typical Installation - Wood Screws:

- Use an electric drill or screw gun to drive screws.
- Drill 1/8" pilot holes where required.
- We recommend that you lubricate the threads of the screws with beeswax or soap to ease installation and minimize breaking screws.
- **It is very important to make certain that the tops of all screws are flush with the surface of the wood and there are no protruding sharp edges.**

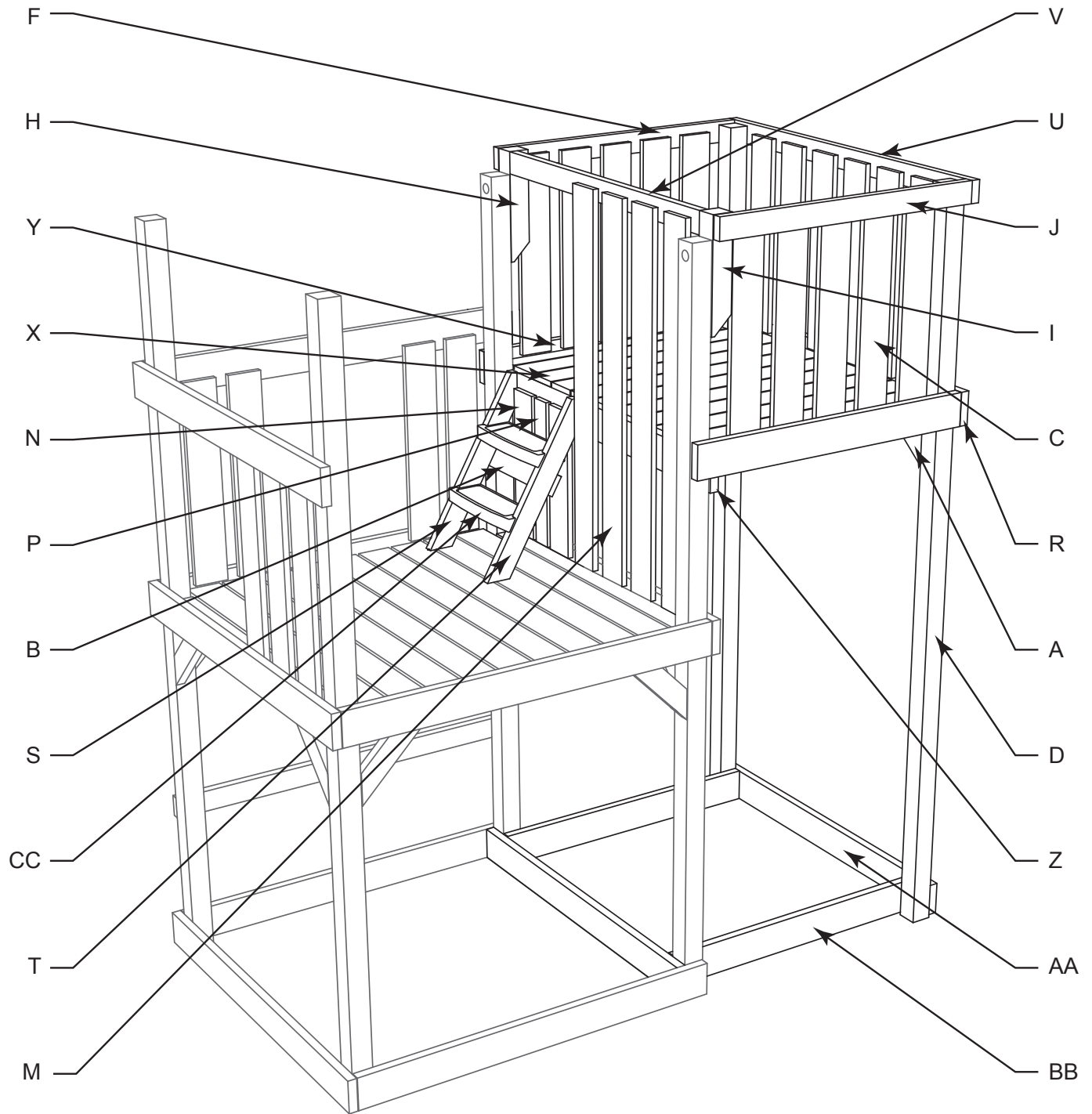


Pilot Drilling Rungs:

- All ladder rungs must be secured with screws. To insert screws where no holes have been pre-drilled, you must drill a 1/8" pilot hole into the end of each rung.
- Using an 1/8" high speed drill bit, drill the hole 2" deep. The location is 1/2" in from the inside edge of the board and on the center line of the rungs, as shown in illustration 8.
- Before you drill, it is extremely important to make sure that the shoulder of each rung is tight against the board. Use the Assembly Block to press the components together.



PLAY SET VIEW



K, L, O & P are used only on a Skybox connected to a gym with a tent roof.

Component Part Identification:

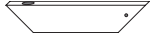
Take inventory of all parts, making sure nothing is missing or defective.

If you find that parts are missing or defective call the Creative Playthings Customer Service Department at 1-800-598-4997

* Not visible in illustration 9 on Page 6.

COMPONENT PARTS

63008-221 - Skybox 2005 - SP - Box 1 of 2



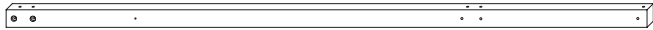
A 2 Ea 31682-102 Angle Brace - 2 x 4 x 17-1/4"



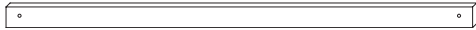
B 1 Ea 31765-102 Ladder Slat - 5/4 x 5 x 19"



C 10 Ea 32404-102 Wall Slat - 5/4 x 6 x 31-1/2"



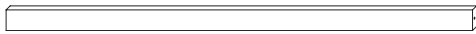
D 2 Ea 32433-102 Corner Post - 4 x 4 x 119"



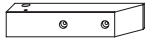
E* 1 Ea 32434-102 End Stringer - 2 x 3 x 56-1/2"



F 1 Ea 32437-102 Wall Support, Left - 2 x 4 x 44-1/4"



G* 2 Ea 32406-102 Inside Stringer - 2 x 3 x 56-1/2"



H 1 Ea 32443-102 Post Extension, Left 4 x 4 x 17"



I 1 Ea 32444-102 Post Extension, Right 4 x 4 x 17"



J 1 Ea 32445-102 Wall Support, Right - 2 x 4 x 44-1/4"



M 4 Ea 32450-102 Wall Slat, Long - 5/4 x 6 x 58-1/2"



N 2 Ea 32451-102 Wall Slat, Short - 5/4 x 6 x 23-1/2"



P 1 Ea 32489-102 Wall Slat, Narrow - 5/4 x 4 x 23-1/2"

Q* 1 Ea 50350-700 Hardware Bag - Skybox 2005 - SP



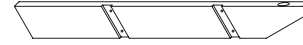
CC 2 Ea 15132-400 Access Ladder Step

BOX 1

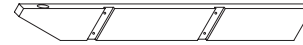
63008-222 - Skybox 2005 - SP - Box 2 of 2



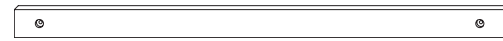
R 1 Ea 32415-102 Platform End 2 x 6 x 59-1/4"



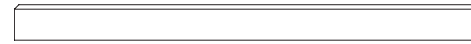
S 1 Ea 32430-102 Access Ladder Rail, Left 2 x 4 x 31"



T 1 Ea 32431-102 Access Ladder Rail, Right 2 x 4 x 31"



U 1 Ea 32435-102 End Wall Support, Long 2 x 4 x 59-1/4"



V 1 Ea 32436-102 End Wall Support, Short 2 x 4 x 50"



W 2 Ea 32439-102 Narrow Platform Board 5/4 x 4 x 41"



X 9 Ea 32440-102 Platform Board 5/4 x 6 x 44-1/4"



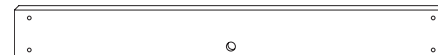
Y 2 Ea 32441-102 Platform Side 2 x 6 x 47-1/2"



Z 1 Ea 32442-102 Platform Support 2 x 6 x 56-1/2"



AA 2 Ea 32446-102 Sandbox End 2 x 6 x 56-1/2"



BB 2 Ea 32447-102 Sandbox Side 2 x 6 x 47-1/2"

BOX 2

MAINTENANCE INSTRUCTIONS

YOUR CREATIVE PLAYTHINGS PLAY SET IS STAINED AT OUR FACTORY. STAINING IS NOT NEEDED AT THE TIME OF INITIAL ASSEMBLY.

Staining Information:

- Pigmented, exterior, water repellent stains are recommended and will provide an excellent barrier against moisture without hiding the natural wood grain or leaving a film that may later crack or peel.
- We recommend that you apply stain according to the instructions and precautions recommended by the stain manufacturer.
- It should take three or more quarts to cover your set.
- Contact your local dealer or call Creative Playthings for our staining products.
- All rungs are pre-finished at the factory and do not require any finishing at the time of initial assembly.
- Do not paint, or varnish rungs or steps.
- Avoid using finishes that create slippery surfaces.

Maintenance:

- Wooden playground equipment will last for years with proper maintenance. Maintenance of the play set finish will vary depending on weather climate.
- As a safety precaution, check all hardware for tightness twice a month during use and at the beginning of each play season. Tighten as required and specified in these instructions. Do not over tighten.
- Check structure twice monthly during usage for any evidence of deterioration. If upon inspection, hardware has sharp edges, rusted or structural pieces have signs of premature failure; replace them through Creative Playthings Customer Service.
- Oil all metallic moving parts monthly during the usage season.
- The swings, trapeze, tent, rope ladders, and any other removable plastic accessories should be removed and taken indoors when outside temperatures drop below 32° F (0° C).
- Wood will expand and contract as it adjusts to temperature changes and varying moisture conditions. Checks or cracks are a natural characteristic of all wood and will not affect the strength or durability of the wooden components.
- To maintain the finish of your set, a light sanding and an application of an exterior stain will repair scratches and prevent wood from aging prematurely.
- Finishes applied to ladder rungs must not create a slippery surface. Never varnish or paint! When refinishing rungs, sand lightly and use an exterior stain or boiled linseed oil.
- The wood parts of your play set should never be disposed of by burning.
- Dispose of all parts so as not to create a hazard.

Tools & Materials Required for Finishing & Assembly:

- Claw Type Hammer
- Carpenter's Level
- Box Wrench or Sockets (1/2")
- Electric Drill
- 3/16" and 3/8" Drill Bits (High Speed)
- Screwdriver or Screw Tip for Drill (Medium Phillips)
- Locking Pliers
- 10 ft. Tape Measure
- Framing Square
- 6 ft. Step Ladder
- Beeswax or Soap (Used to lubricate screw threads)

ASSEMBLY INSTRUCTIONS

Note: The Skybox play deck is designed to be installed on the end of a Williamsburg or Lexington gym with a wood roof.

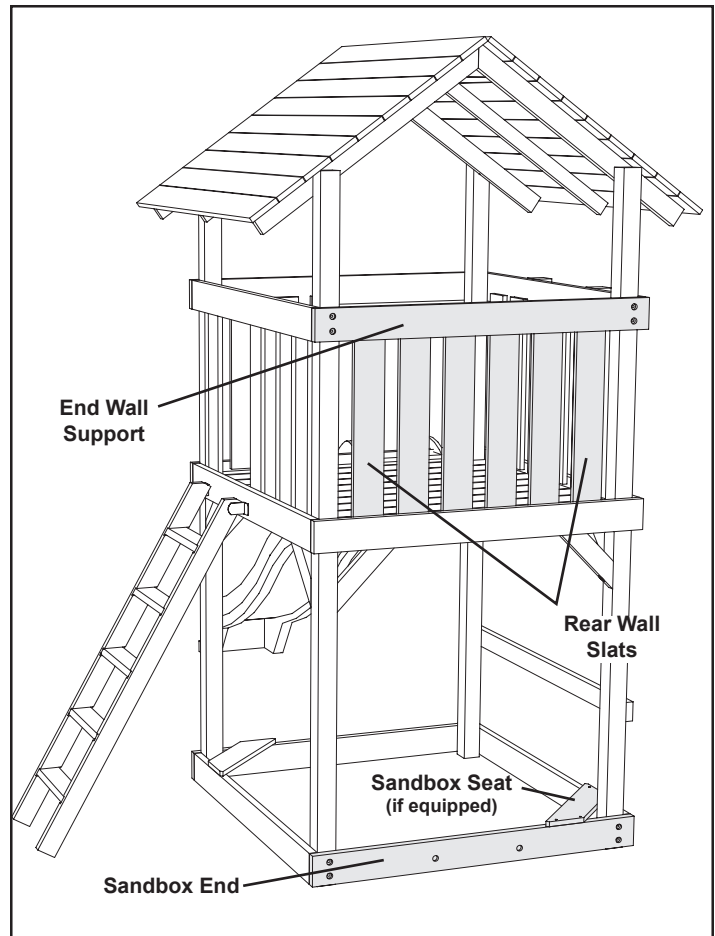
STEP 1 - Component Removal:

A number of parts on the Gym need to be removed for assembly. Some of these items will be re-installed later. All parts remaining after assembly should be saved in case of future repairs. Retain all hardware, it may be required for assembly.

Remove the six Wall Slats across the rear of the Gym and remove the rear End Wall Support. Remove the Sandbox Seat (if equipped) and Sandbox End at the rear of the Gym.

The wall slats and sandbox seats will be re-used.

If mounting the Skybox to a Gym that is to have a Clubhouse, DO NOT remove Sandbox End. See last page of this guide.



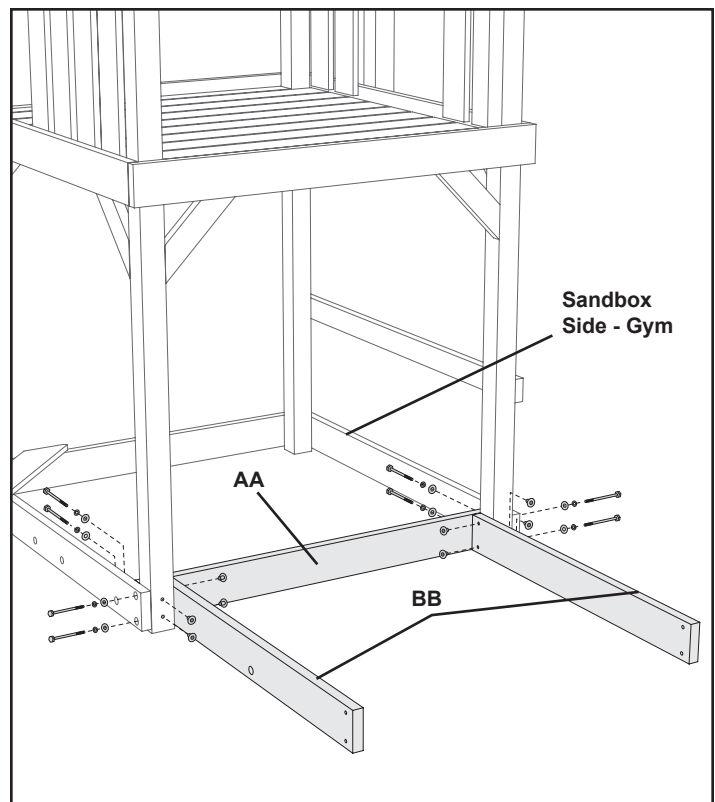
STEP 2 - Sandbox:

Fasten one Sandbox End (AA) to the inside of the rear play set Corner Posts using four 5/16 x 4" Hex Bolt Assemblies*. The counter-bored holes in the middle of the board should be facing the gym and positioned closer to the bottom edge.

Remove the Bolts that fasten the rear end of one Sandbox Side on the Gym. Remove the Weld Nuts from the Corner Post. Use two 5/16 x 5-1/2" Hex Bolt Assemblies to fasten the Gym Sandbox Side and the Skybox Sandbox Side (BB) to the Corner Post, as shown. Repeat with the other Side.

* A Hex Bolt Assembly consists of one Hex Bolt, one Lock Washer, one Flat Washer, and one Weld Nut.

Important Note: When mounting the Skybox to a Gym that is to have a Clubhouse or Fun Deck, see the special instructions at the end of this guide.

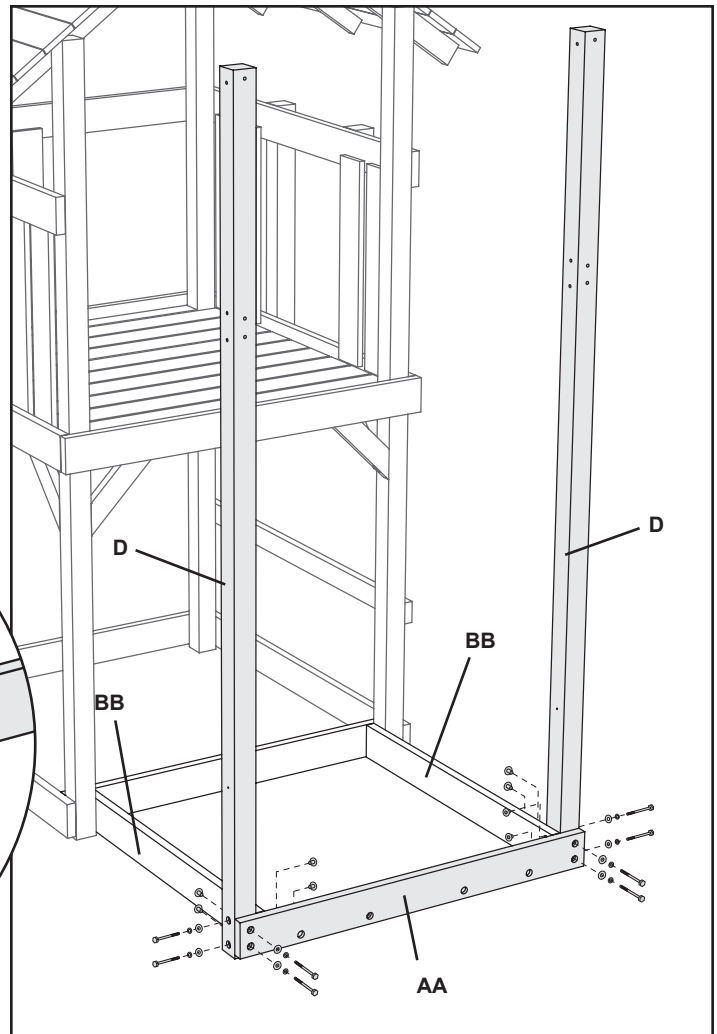
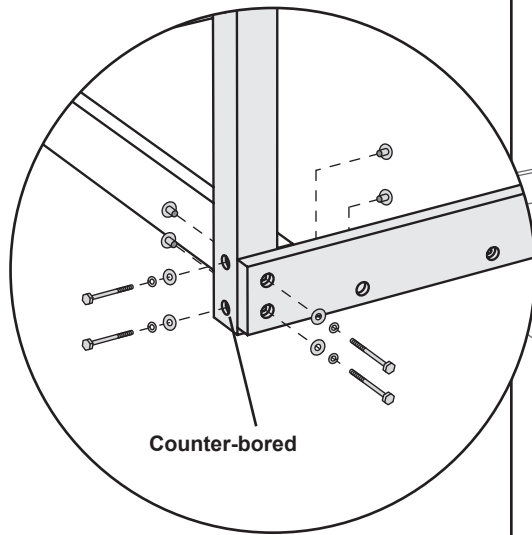


ASSEMBLY INSTRUCTIONS

STEP 3 - Corner Posts and Sandbox End:

Fasten each Corner Post (D) to the outside ends of the Sandbox Sides (BB) using two 5/16 x 4" Hex Bolt Assemblies, as shown. Please note that the counter-bored holes at the bottom of the Corner Posts should face outward so that the head of the Hex Bolt rests below the surface of the Post.

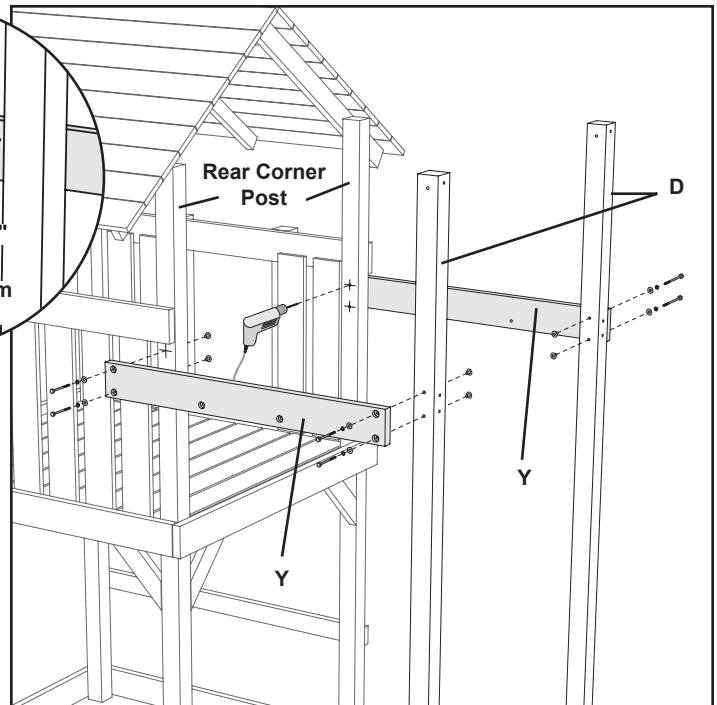
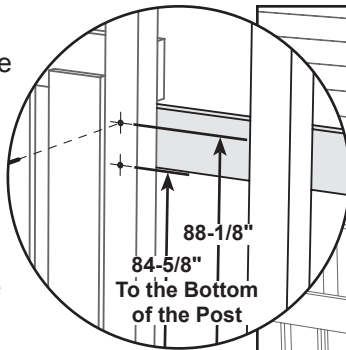
Fasten the remaining Sandbox End (AA) to the Corner Posts (D) using four 5/16 x 4" Hex Bolt Assemblies.



STEP 4 - Platform Sides:

Drill two 3/8" diameter holes through the center-line of each rear Corner Post on the Gym, as shown. The upper hole should be 88-1/8" from the bottom of the Corner Post. The lower hole should be 84-5/8" from the bottom of the Corner Post. These holes should be level with the corresponding holes on the Skybox Corner Posts.

Fasten each Platform Side (Y) to the rear Gym Corner Posts and Sandbox Corner Posts (D) using four 5/16" x 4" Hex Bolt Assemblies, as shown.

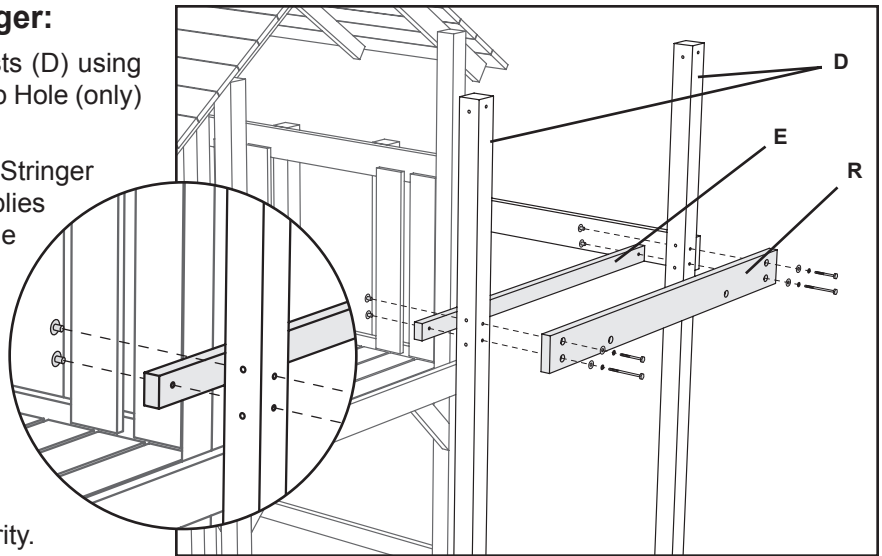


STEP 5 - Platform End and End Stringer:

Fasten the Platform End (R) to the Corner Posts (D) using one 5/16 x 4" Hex Bolt Assembly through the Top Hole (only) on the ends of the Platform End (R).

Locate the End Stringer (E). Attach each End Stringer (E) using two 5/16 x 5-1/2" Hex Bolt Assemblies as shown. The Hex Bolt should start from the outside of the Skybox. Push each bolt through the bottom hole in the Platform End and the Corner Posts before passing through the End Stringer. Make sure the Platform End (R) and End Stringer (E) are aligned across their bottom edges. (The holes in the End Stringer are offset from the center of the board; you may have to flip the board to achieve proper alignment.)

Note: The Right Platform Side is omitted for clarity.



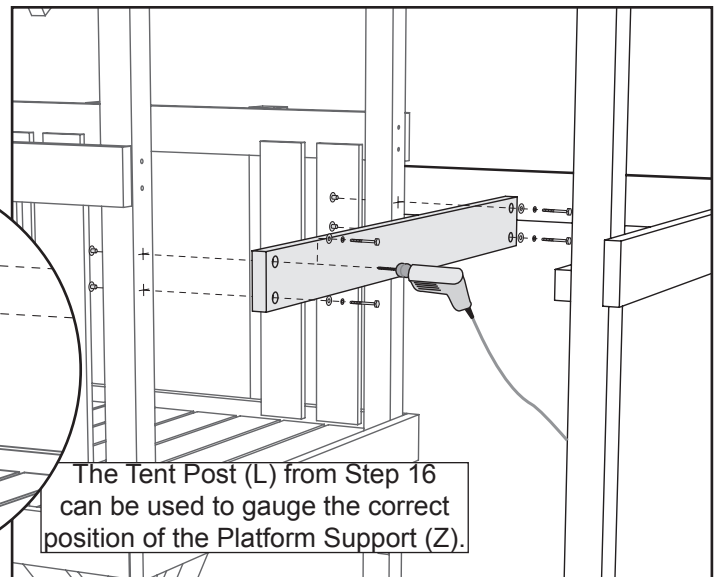
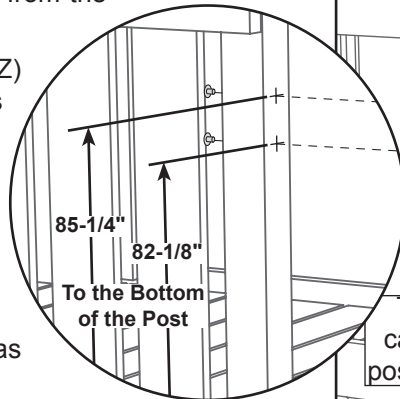
STEP 6 - Platform Support:

Drill two 3/8" diameter holes through the center-line of each rear Corner Post on the Gym, as shown. The upper hole should be 85-1/4" from the bottom of the Corner Post. The lower hole should be 82-1/8" from the bottom of the Corner Post.

Fasten the Platform Support (Z) to the rear Gym Corner Posts using four 5/16" x 4" Hex Bolt Assemblies, as shown.

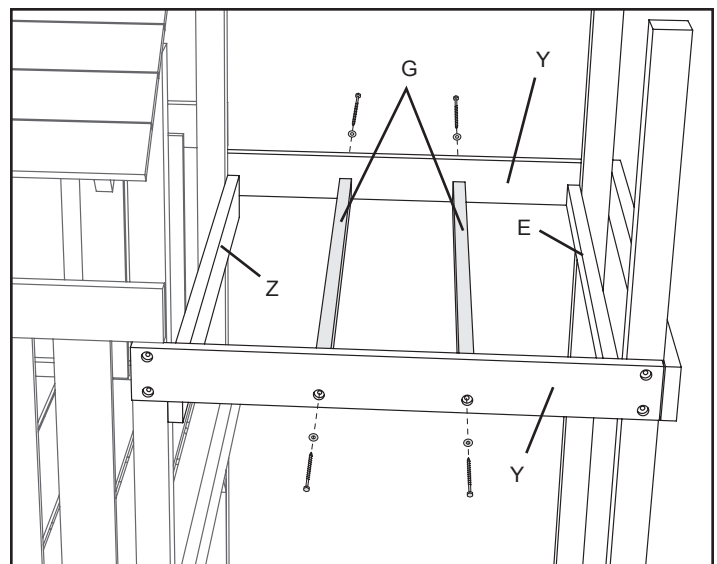
When complete, the top of the Platform Support should be level with the top of the End Stringer (E).

Note: The Right Platform Side has been omitted for clarity.



STEP 7 - Inside Stringers:

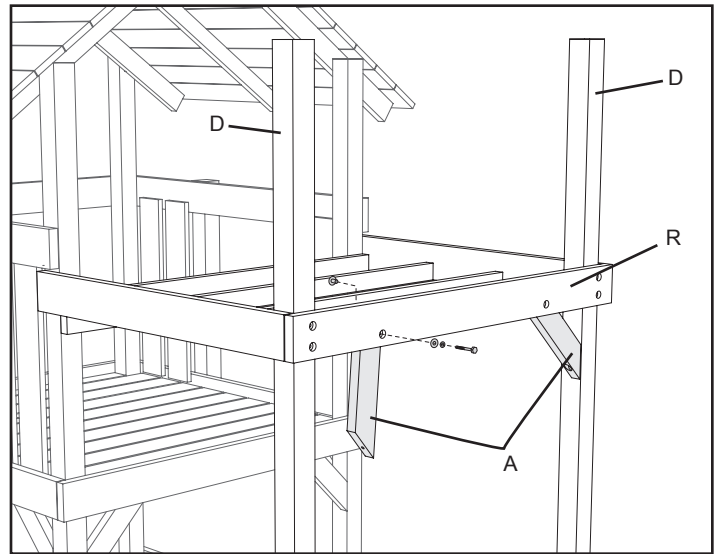
Locate the two Inside Stringers (G). The Inside Stringers (G) are installed between the Platform Sides (W). Attach each Inside Stringer (G) using two 5/16 x 4" Lag Screws and Flat Washers as shown. Make sure the End Stringer (E), Platform Support (Z) and Inside Stringers (G) are aligned across top edges..



ASSEMBLY INSTRUCTIONS

STEP 8 - Angle Braces:

Fasten an Angle Brace (A) to each end of the Platform End (R) using two 5/16 x 2-1/2" Hex Bolt Assemblies. Do not tighten these bolts yet. The Angle Braces (A) should be fastened so that the angled end is flat against the nearest Corner Post (D).

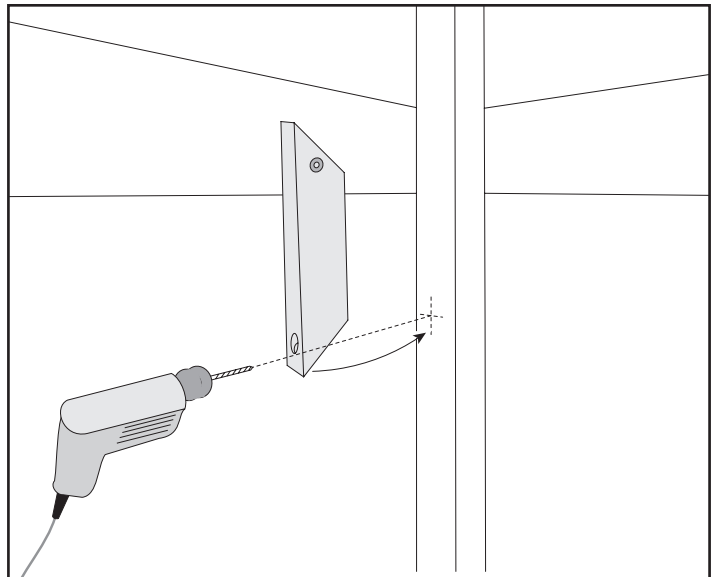


STEP 8 - Angle Braces (continued):

Level the Skybox. Tighten all connections except the Angle Braces (A). Do not over tighten.

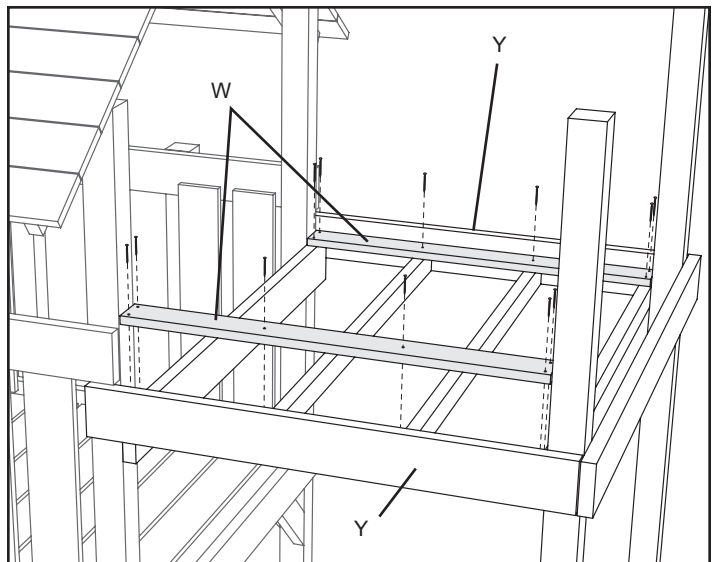
Position the Angle Braces (A) with the angled ends flat against the Corner Post nearest to each. With a pencil, mark the position where the holes in the Angle Braces rest against the Corner Posts. At each mark drill a 3/16" diameter x 2" pilot hole in the Corner Posts. Fasten the Angle Braces (A) to the Corner Posts using one 5/16 x 3" Lag Screw and Flat washer in each Angle Brace (A).

Note: The Stringers have been omitted from the illustration for clarity.



STEP 9 - Narrow Platform Boards:

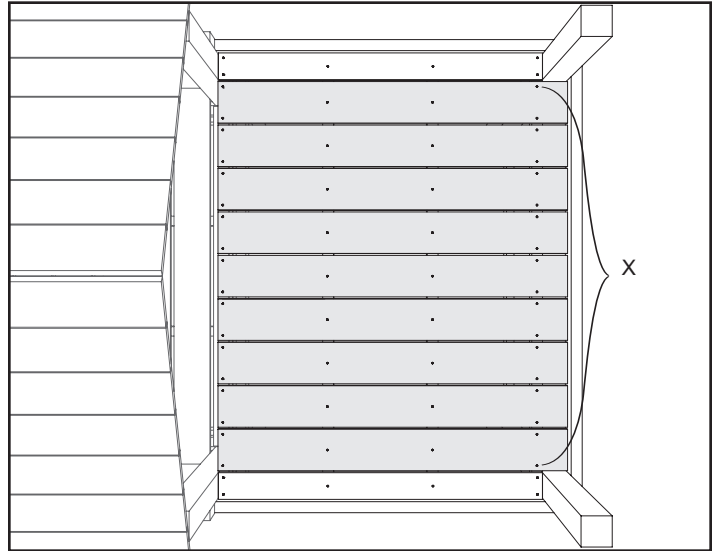
Locate the two Narrow Platform Boards (W). Fasten the Narrow Platform Boards (W) tightly against the Platform Sides (W), resting on top of the Stringers (E & G) and Platform Support (Z). Fasten the Narrow Platform Boards (W) to the Stringers with six #10 x 2" Screws on each board.



ASSEMBLY INSTRUCTIONS

STEP 10 - Platform Boards:

Layout all the Platform Boards (X) on the Stringers and Platform Support. Space the Platform Boards (X) evenly between the Narrow Platform Boards (W). All of the Platform Boards should be placed flush to the edge of the Platform Support. Attach each Platform Board (X) using six #10 x 2" Flat Head Wood Screws.

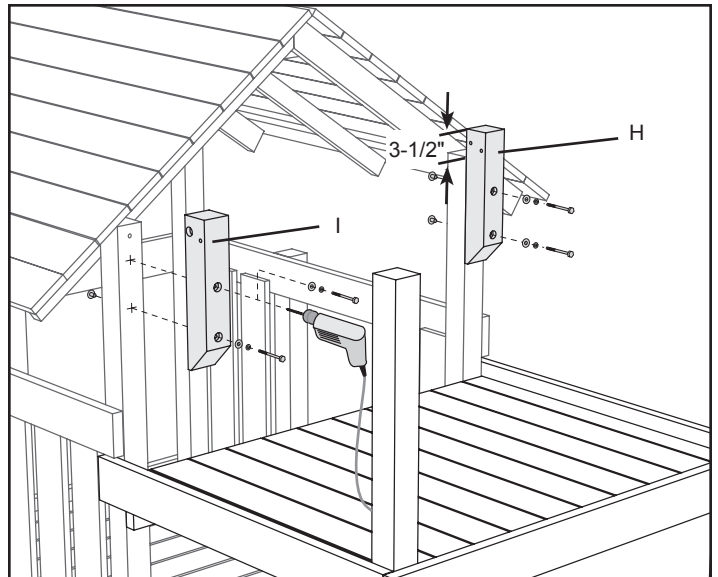


STEP 11 - Post Extensions:

Place the Right Post Extension (I) against the right rear Gym Corner Post, as shown. The top of the Right Post Extension should extend 3-1/2" beyond the top of the Gym Corner Post. (If the Roof Boards from the Gym keep the Right Post Extension from resting flat against the Gym Corner Post, the Roof Boards will need to be trimmed. Please review the following two steps to determine the amount of trimming needed.)

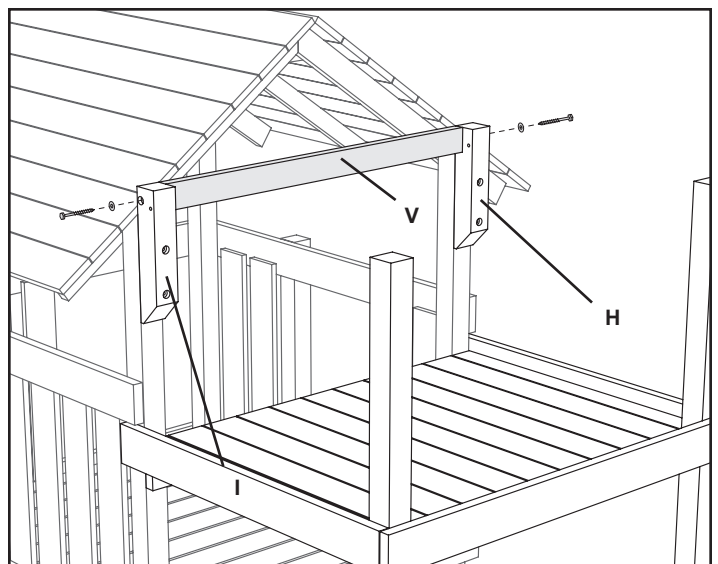
With a pencil mark the position of the Post Extension holes onto the Gym Corner Post. Drill two 3/8" diameter holes through the Gym Corner Post at the pencil marks. Fasten the Right Post Extension (I) to the Gym Corner Post using two 6" Hex Bolt Assemblies.

Repeat with the Left Post Extension (H) and the left rear gym Corner Post.



STEP 12 - Short End Wall Support:

Fasten the Short End Wall Support (V) between the Right And Left Post Extensions (I & H) using two 5" Lag Screws and two Flat Washers, as shown. the Lag Screws should go through the counter-bored holes at the top of the Post Extensions.



ASSEMBLY INSTRUCTIONS

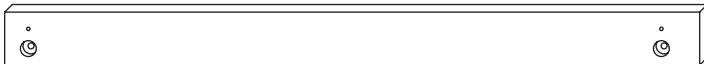
STEP 13 - Side Wall Supports:

Fasten the Right Side Wall Support (J) to the Right Post Extension (I) and adjacent Corner Post (D) using one 5/16 x 4" Hex Bolt Assembly in the lower hole at each end. Through the upper holes, fasten the Right Side Wall Support (J) using two #10 x 2-1/2" Wood Screws.

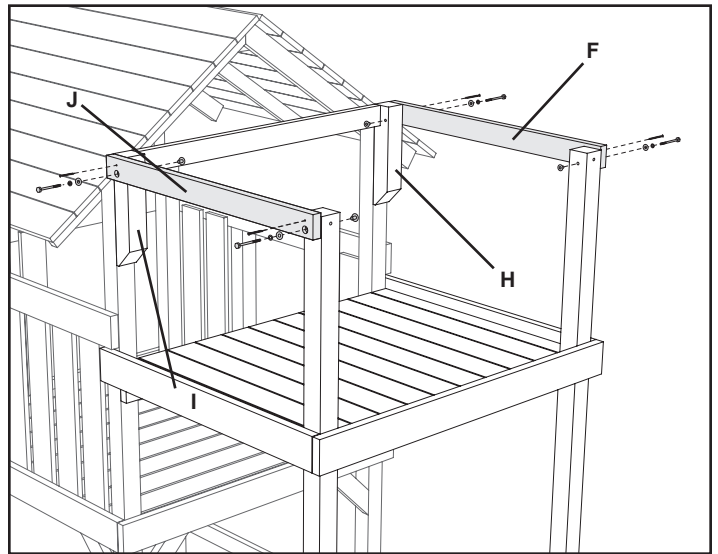
Repeat with the Left Side Wall Support (F) to the Left Post Extension (H) and adjacent Corner Post (D).



Right Side Wall Support (J)

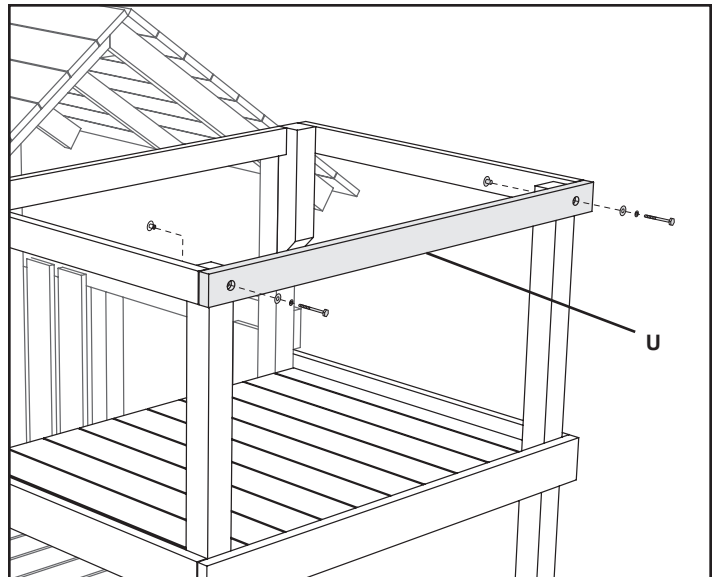


Left Side Wall Support (F)



STEP 14 - Long End Wall Support:

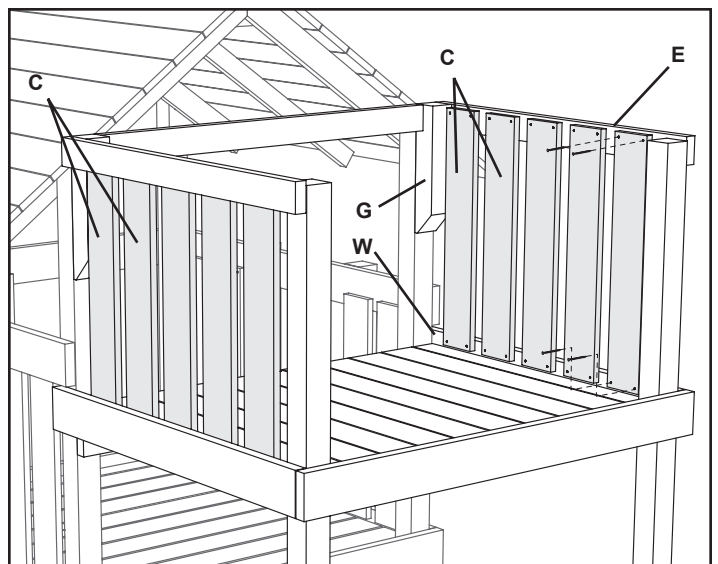
Fasten the Long End Wall Support (U) to the Corner Posts using two 5/16 x 4" Hex Bolt Assemblies, as shown.



STEP 15 - Side Wall Slats:

Fasten five Wall Slats (C) to the left Platform Side (Y) and the Left Wall Support (E), as shown. The Wall Slat (C) closest to the Gym should fit tightly against the Left Post Extension (H). Use four #10 x 1-5/8" Screws in each Wall Slat (C). There should be approximately 2-1/4" between each Wall Slat (C). Repeat with the Wall Slats (C) on the right side of the Skybox.

Note: When placing Wall Slats, leave no gap larger than 3-1/2" except at entrance or exit points. The Long End Wall Support has been omitted from the illustration for clarity.

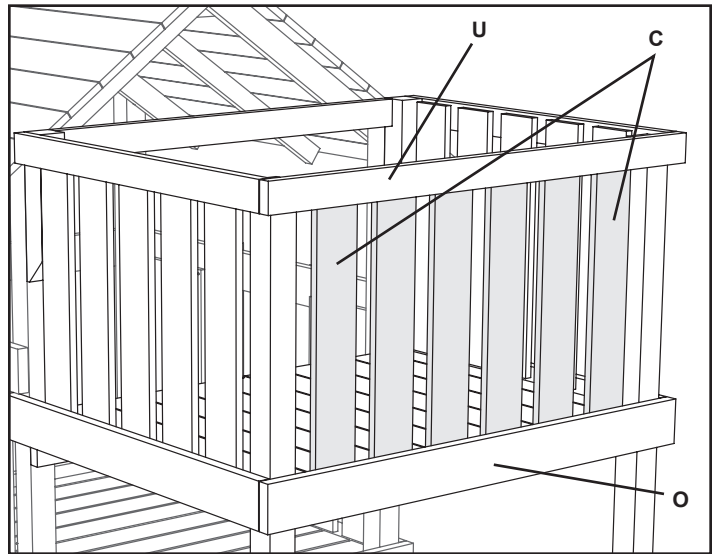


ASSEMBLY INSTRUCTIONS

STEP 17 - End Wall Slats:

Fasten the six Wall Slats removed in Step One (C) to the Platform End (R) and the Long End Wall Support (U), as shown. Use four #10 x 1-5/8" Screws in each Wall Slat (U). There should be approximately 2-5/8" between each Wall Slat (C).

Note: When placing Wall Slats, leave no gap larger than 3-1/2" except at entrance or exit points.



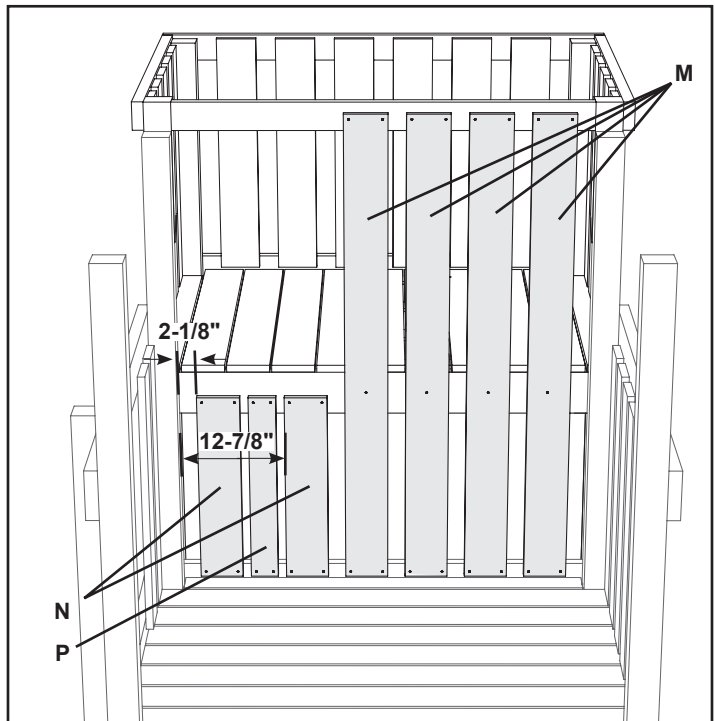
STEP 18 - Long & Short Wall Slats:

Locate the Long Wall Slats (M) and Short Wall Slats (N).

Place one Short Wall Slat (N) 2-1/8" from the left Gym Corner Post and another 12-7/8" from the Gym Corner Post. Center the Narrow Wall Slat (P) between the first two. Fasten each with four #10 x 1-5/8" Screws.

Evenly space four Long Wall Slats (M) between the center-most Short Wall Slat and the right rear Gym Corner Post. The Spacing will be approximately 2-1/8". Fasten each Long Wall Slat (M) using five #10 x 1-5/8" Screws.

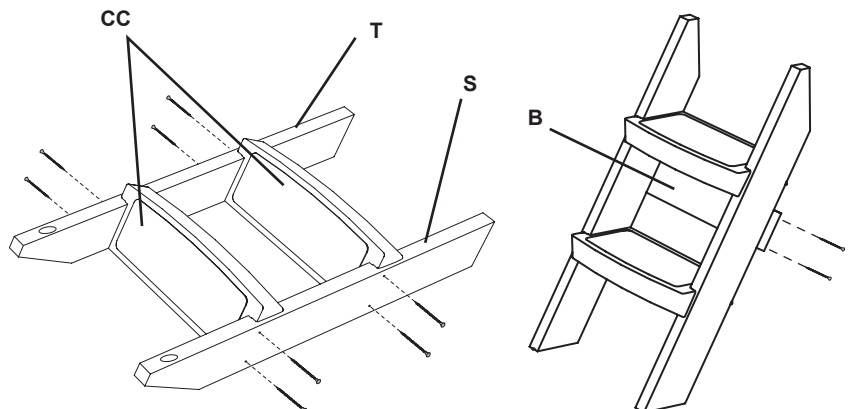
Note: Leave no gap larger than 3-1/2" except at entrance or exit points.



STEP 19 - Assemble Access Ladder:

Fasten two Access Ladder Steps (CC) to the Left Access Ladder Rail (S) using four #10 x 2-1/2" Screws, as shown. Attach the Right Access Ladder Rail (T) to opposite end of the Access Ladder Steps (CC) using four #10 x 2-1/2" Screws.

Fasten the Ladder Slat (B) to the back of the Access Ladder Assembly using four #10 x 1-5/8" Screws. Leave a space of 3-1/4" between the top of the lower step and the bottom of the Ladder Slat.

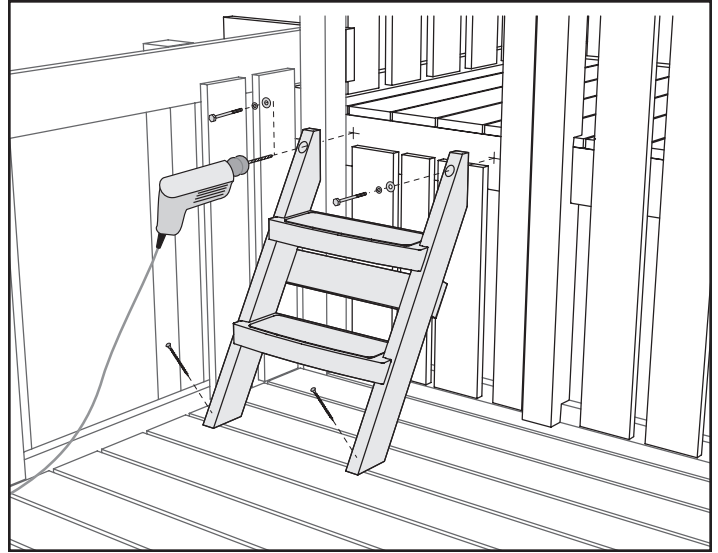


ASSEMBLY INSTRUCTIONS

STEP 20 - Install Access Ladder:

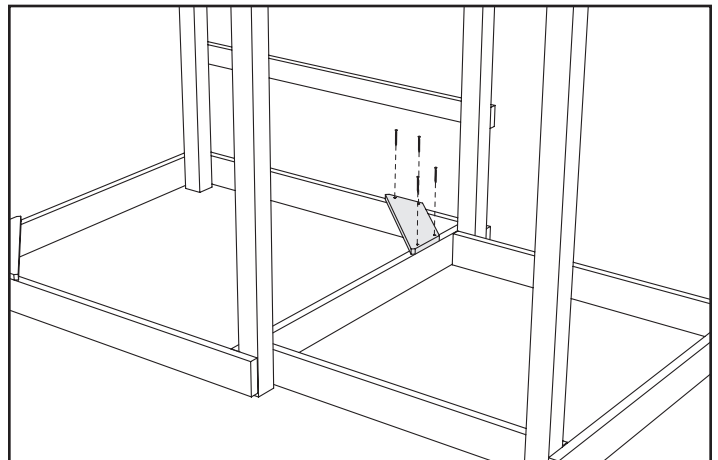
Lean the Access Ladder Assembly against the Platform Support (Z), as shown. Place the angled ends flat against the Platform Support and Gym Platform Boards. Mark the position of the holes in the Access Ladder Rails on the Platform Support using a pencil.

At the pencil marks, drill $\frac{3}{8}$ " diameter holes through the Platform Support. Fasten the Access Ladder Assembly to the Platform Support using two $\frac{5}{16}$ x 2" Hex Bolt Assemblies. Fasten the base of the Access Ladder Assembly to the Gym Platform Boards using two #10 x 1- $\frac{5}{8}$ " Screws.



STEP 21 - Restore Sandbox Seat (if equipped):

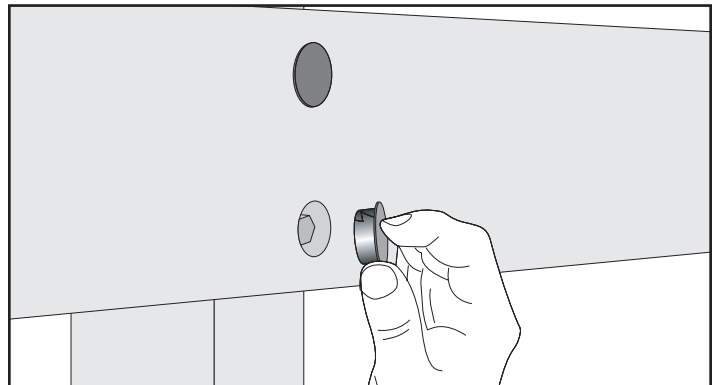
Re-fasten the Sandbox Seat that was removed in step one. Use the screws that originally held the Sandbox Seat.



STEP 22 - Hole Caps:

Make a final check and make sure that all the bolts and screws have been tightened.

Locate the 1" Hole Caps in the hardware bag. Install Hole Caps into all the counter-bored holes to cover and protect the hardware.



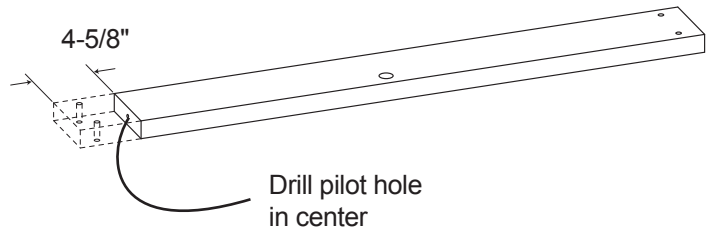
Save all instruction sheets and receipts in case it becomes necessary to contact Creative Playthings for warranty service and/or part replacement. The warranty can be found in your Owner's Manual.

Special Instructions: Mounting the Skybox to a Gym with Clubhouse

When mounting the Skybox to a gym that will have a Clubhouse or Play Floor, the Skybox sandbox must be altered.

Cut the Sandbox Sides

Cut 4-5/8" from the length of the Sandbox Sides (BB) of the Skybox. Drill a 3/16" diameter pilot hole 2" deep into the center of the trimmed end of each Sandbox Side.

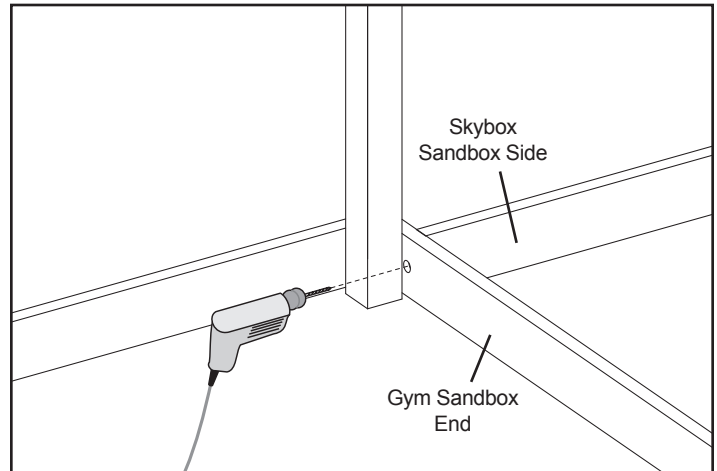


Fasten Sandbox Sides to Gym Sandbox End

Drill two 1" diameter holes 1/2" deep into the Sandbox End of the Gym, 11/16" from the adjacent Corner Posts. In the center of these holes, drill 5/16" diameter holes through the Sandbox End. The counter-sink holes should be on the inside of the gym. It may help to mark the holes first and remove the Gym Sandbox End before drilling.

Line up the Sandbox Sides to the holes in the Sandbox End. Fasten using 5/16 x 3" Lag Screws and 5/16 Flat Washers.

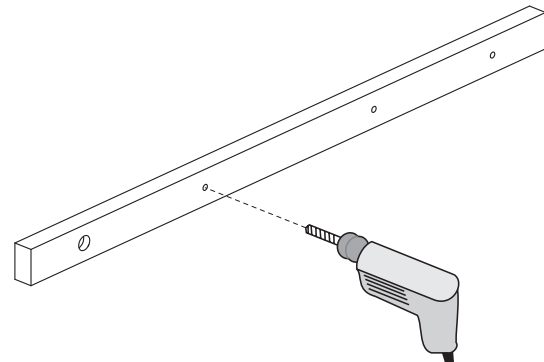
Continue installation of both Skybox and Clubhouse (or Play Floor) as shown in the respective manuals. If installing a Clubhouse, see the special instructions at the bottom of the next page.



Fasten Cleat to Gym Sandbox End

A 1" diameter counter-bore, 1/2" deep, is required at each hole in the cleat attached to the Gym Sandbox End for the included 2" bolts to fit. **5/16 x 2-1/2" Bolts can be used without drilling a counter-bore. 5/16 x 2-1/2" Bolts are not included.**

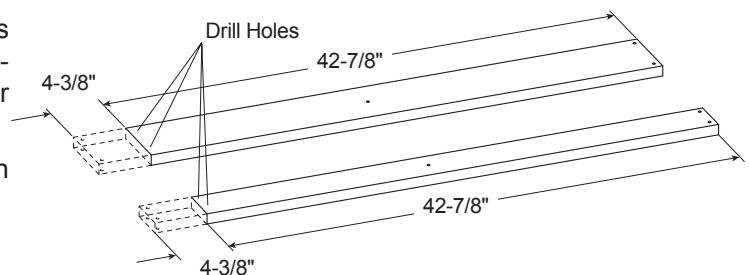
Install remaining Cleat and Stringer as described in the Play Floor instructions.



Cut Platform Boards to Size

Installing a Skybox Play Floor in this configuration requires the Platform Boards be trimmed to 42-7/8". Check for a proper fit before cutting the Platform Boards. Drill 3/16" diameter holes 5/8" from the cut ends.

Once the Boards are cut to size. Proceed as described in Play Floor instructions.



Please fill out the warranty card on the back of your owners manual. Your completed warranty card will allow us to quickly process warranty claims. Thank you.