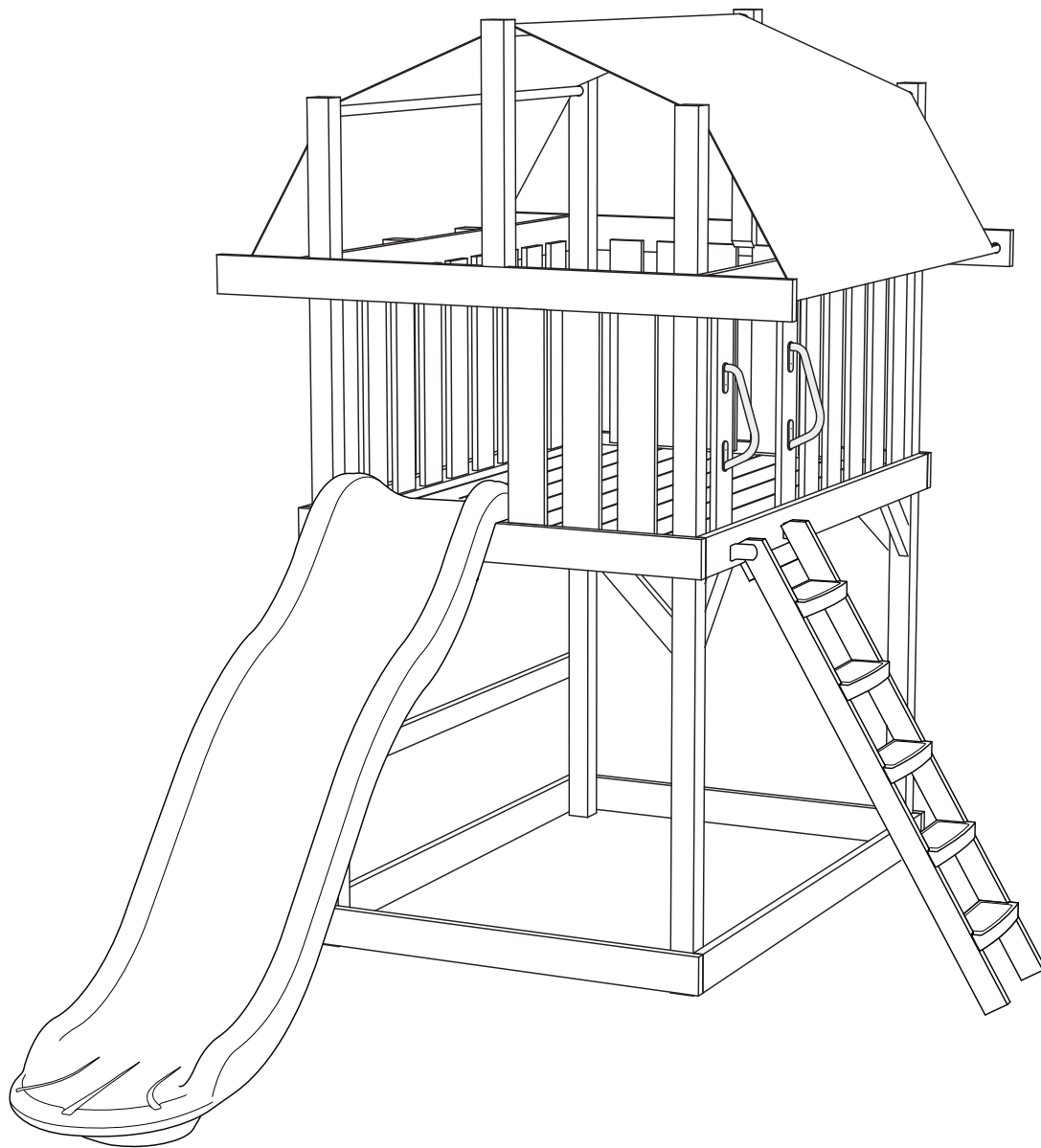


MODEL #SH 4200-000  
ASSEMBLY MANUAL

# LEXINGTON with TENT ROOF

**Creative Playthings®**



**All hardware on this set is specially coated for corrosion resistance.**

**If non-Creative Playthings hardware is used, it must be galvanized or stainless steel.**

**Carefully read the owner's manual and all instructions before assembling your play set. It provides additional information on the care and use of your play set.**

**Creative Playthings takes great care to design its products with your child's safety in mind. However, only with careful supervision and proper safety instructions, can you be assured of safe play time on any product designed for children.**

**This product is intended for single family home/residential use only and not intended for use in any public setting. Placement in any public setting constitutes a misuse of this product.**

## PLAY SET SAFETY

**FOR SAFETY SAKE, PLEASE TAKE TIME TO READ ALL INSTRUCTIONS COMPLETELY AND CAUTION YOUR CHILDREN APPROPRIATELY.**

### **Observing the following statements & warnings reduces the likelihood of serious or fatal injury:**

- Children should use equipment only in its intended manner.
- Children should not wear loose or stringed clothing while using playground equipment.
- Children should not play on equipment in wet weather conditions due to potentially slippery surfaces.
- Children should NOT walk too closely in front of, behind, or between moving swings and trapezes.
- Children should NOT swing empty swing seats.
- Children should NOT jump off swings and/or trapeze while they are in motion.
- Children should NOT twist swing chains because this will reduce the strength of the chain and connections.
- Children should sit in the center of the swings with their full weight on the seats.
- Do not allow children under age 7 to use monkey bars unless supported by an adult.
- Children should NOT be on the top surface of the monkey bars or swing beam.
- On-site adult supervision is required at all times for children of all ages.
- Until assembly is complete, DO NOT let your children use the play set.
- Never attach items to the playground equipment that are not specifically designed for use with the equipment, such as, but not limited to, jump ropes, clothesline, pet leashes, cables and chain as they may cause a strangulation hazard.
- Suspended ropes, chains, and cables must be secured at both ends.
- Suspended ropes, chains, and cables must not be capable of looping back on themselves.
- Do not allow more than 120 lbs. on single occupancy swing accessories such as the Sling Swing and Trapeze.
- Do NOT allow more than 175 lbs. on multiple use swing accessories such as the Back-to-Back Plastic Horse.
- Do NOT allow more children on the play set than can simultaneously use all the swing stations at one time.
- Children should NEVER wear bicycle or other helmets while playing on the play set.
- Dress children with well-fitting and full foot enclosing footwear. Examples of inappropriate footwear are clogs, flip flops, sandals.
- Never add extra length to chain or rope. The chains or ropes provided are the maximum length designed for the swinging element(s).
- Do not allow children to wear inappropriate items, such as but not limited to, loose fitting clothing, hood and neck drawstrings, scarves, cord-connected items, capes and ponchos. These items can cause death by strangulation.

### **Assembly Safety:**

- Keep the work area clean and clear of obstructions.
- Children should stay out of the work area until the safe play area is cleared of obstacles, the play set has been completely assembled, all hardware has been tightened and checked, and all tools have been picked up.
- Keep children off the play set until it has been completely assembled.
- Some parts of the assembly process may require help from another competent adult.
- Do not stand on the platform until the play set has been completely assembled, use a step ladder if you cannot reach high enough.
- Follow the manufacturers' safety recommendations for the tools and equipment you use.
- Avoid assembling your play set in poor weather conditions.
- Wear proper clothing and safety equipment (safety glasses, boots, and gloves) while assembling your play set.

# SAFE PLAY AREA

SELECTING THE CORRECT LOCATION FOR YOUR PLAY PRODUCT IS IMPORTANT FOR YOUR CHILDREN'S SAFETY AND THE PRODUCT'S LONGEVITY.

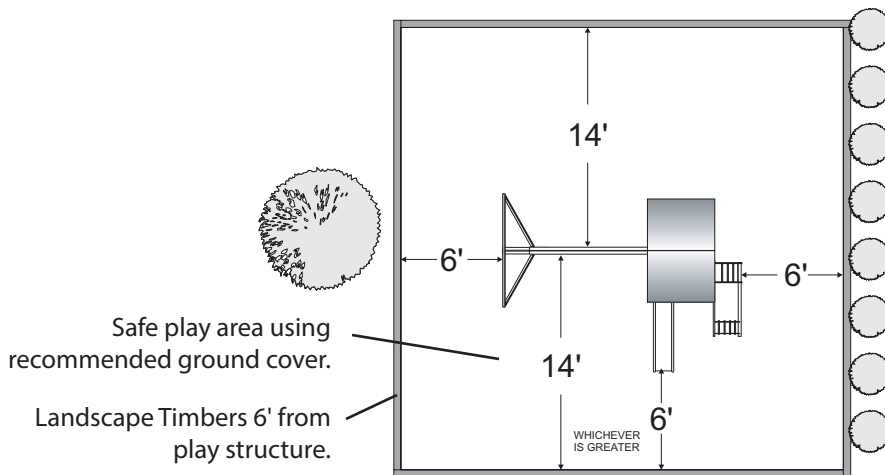
## Play Set Dimensions:

- The Lexington play set has ground dimensions of 8'-3" x 13'-9" (Swing Accessories not included).
- The Lexington play set requires a level ground surface of 21' x 29' for a Safe Play Area (Swing Accessories not included).
- Additional accessories may increase the size of the Safe Play Area.
- The maximum fall height for your Lexington is 60". 7ft Swing beam fall height: 84". 9ft beam fall height: 107".

## Safe Play Area:

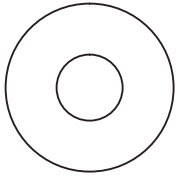
- The Safe Play Area refers to a zone extending 6' beyond the play set on all sides, including the slide and the space above the play set. Because children may deliberately jump from a moving swing, the Safe Play Area must be extended to 14' in front of and behind a swinging Accessory.
- The ground surface must be level. Installing your play set on sloping ground can cause it to lean or "rack". This leaning puts additional stress on all connections and joints and in time will cause those connections to loosen and fail.
- The Safe Play Area must be free of all structures, landscaping, trees and branches, rocks, wires, and other obstacles to safe play. Children can be seriously injured running, or swinging into these obstacles.
- Remove all tripping hazards from the Safe Play Area. Tripping hazards include; roots, stumps, rocks, landscaping, sprinkler heads, railroad ties, plumbing and electrical connections.
- Do not install your play set over concrete, gravel, asphalt, packed earth, or any other hard surface. The following is a list of recommended ground covers from the Consumer Product Safety Commission.
- Any edging used to contain the ground cover must be beyond the Safe Play Area. (i.e.. Landscape Timbers)

RECOMMENDED GROUND COVER	
Suggested Material	Uncompressed Depth
Double Shredded Bark Mulch	9"
Uniform Wood Chips	12"
Fine Gravel	12"
Fine Sand	12"

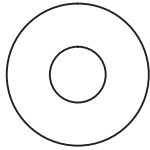


**A FALL ONTO A HARD SURFACE COULD RESULT IN SERIOUS INJURY.**

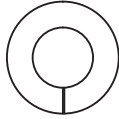
# HARDWARE BAG CONTENTS



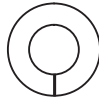
5/16" Flat Washer



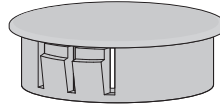
1/4" Flat Washer



5/16" Lock Washer



1/4" Lock Washer

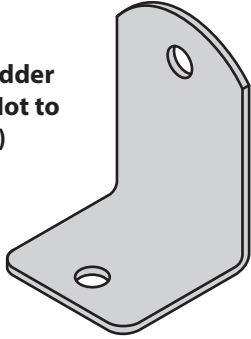


1" Hole Cap

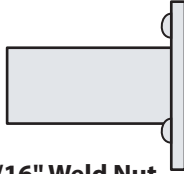


#10 x 1-5/8" Screw

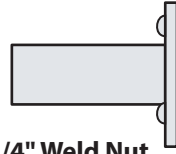
Access Ladder Bracket (Not to Scale)



5/16" Weld Nut



1/4" Weld Nut



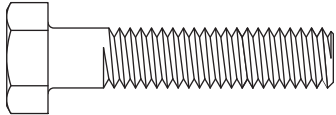
#8 x 2" Screw



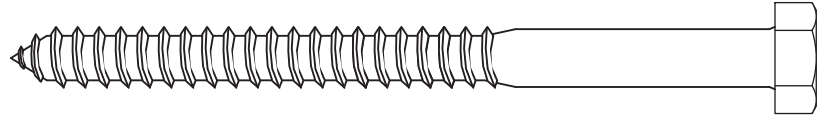
#10 x 2" Screw



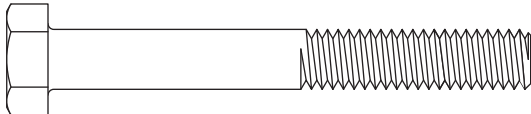
#10 x 2-1/2" Screw



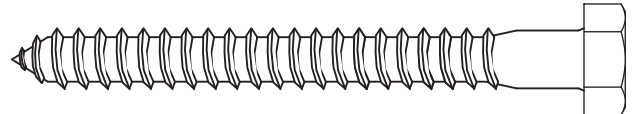
5/16 x 1-1/2" Hex Bolt



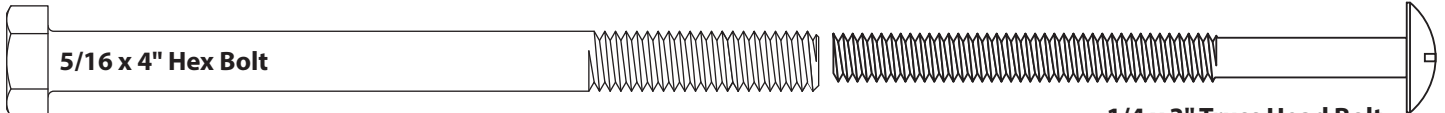
5/16 x 4" Lag Screw



5/16 x 2-1/2" Hex Bolt

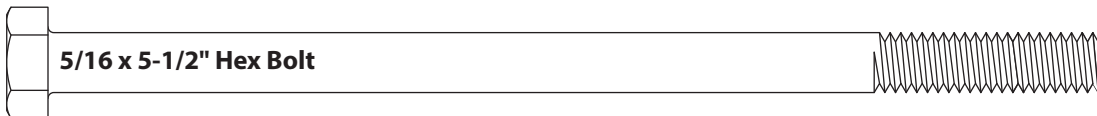


5/16 x 3" Lag Screw

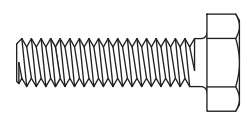


5/16 x 4" Hex Bolt

1/4 x 3" Truss Head Bolt



5/16 x 5-1/2" Hex Bolt



1/4 x 1" Hex Bolt

## 50334-700 Hardware Bag - SP (2005)

8	17001-104	Weld Nut - 1/4"-20
66	17001-105	Weld Nut - 5/16"-18
4	12002-205	Flat Washer - 1/4"
84	12002-206	Flat Washer - 5/16"
4	12017-205	Lock Washer - 1/4"
66	12017-206	Lock Washer - 5/16"
4	17003-409	Hex Bolt - 1/4 x 1"
4	17003-611	Hex Bolt - 5/16 x 1-1/2"
8	17003-1011	Hex Bolt - 5/16 x 2-1/2"
50	17003-1611	Hex Bolt - 5/16 x 4"
4	17003-2211	Hex Bolt - 5/16 x 5-1/2"
106	17020-115	Screw - #10 x 1-5/8"
99	17020-107	Screw - #10 x 2"
4	17020-113	Screw - #10 x 2-1/2"
10	17036-1202	Lag Screw - 5/16 x 3"

6	17036-1602	Lag Screw - 5/16 x 4"
4	17119-1209	Truss Head Bolt - 1/4 x 3"
2	14161-400	Access Ladder Bracket

## 50345-200 Hole Cap Pack

88	15081-704	1" Hole Cap - Brown
----	-----------	---------------------

## 50346-700 Hardware Bag - Lexington Tent Roof

4	17001-105	Weld Nut - 5/16"-18
4	12002-206	Flat Washer - 5/16"
4	12017-206	Lock Washer - 5/16"
4	17003-1011	Hex Bolt - 5/16 x 2-1/2"
2	17020-115	Screw - #10 x 1-5/8"
4	17020-113	Screw - #10 x 2-1/2"

We have packaged more hardware than is required for assembly.

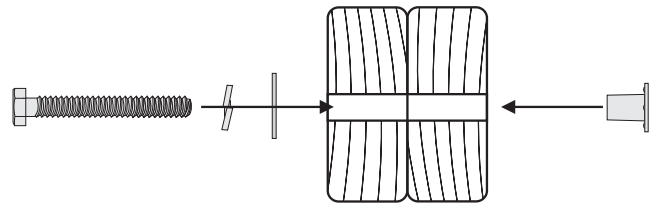
**All hardware on this set is specially coated for corrosion resistance. If non-Creative Playthings hardware is used, it MUST be galvanized or stainless steel.**

**CREATIVE PLAYTHINGS PLAY SETS USE A FEW STANDARD CONNECTIONS. BECOMING FAMILIAR WITH THESE CONNECTIONS WILL SIMPLIFY ASSEMBLY AND INSURE A SAFER PLAY PRODUCT FOR YOUR CHILDREN.**

**Hex Bolt & Weld Nut Assembly Procedure:**

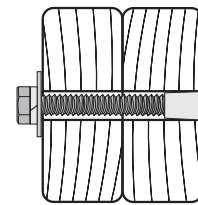
**Assembly Layout:**

Align the holes in the parts to be fastened. Start preliminary tightening of bolt into weld nut by hand. Tighten each bolt with a wrench until the lock washer is fully compressed between the head of the bolt and the flat washer.



**Correct Assembly:**

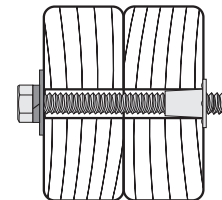
Bolt has been screwed securely into weld nut and the connection is tight. Check connections periodically for tightness during the life of the play set. **Do not over tighten.**



**Incorrect Assembly:**

During assembly or maintenance the bolt protrudes 1/8" past the weld nut. Call customer service or replace the bolt at a local hardware store. You may be overtightening or using the wrong size bolt.

**Failure to replace this bolt with a shorter one could result in serious injury.**

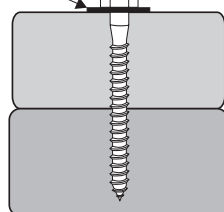


**Typical Installation - Lag Screws:**

Lag Screw

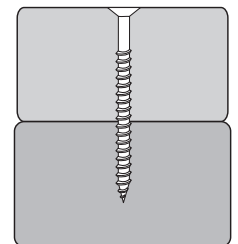
Flat Washer

- Tap the head of the Lag Screw with a hammer to start the threads into the wood and then use a 9/16" socket to tighten.
- DO NOT over tighten

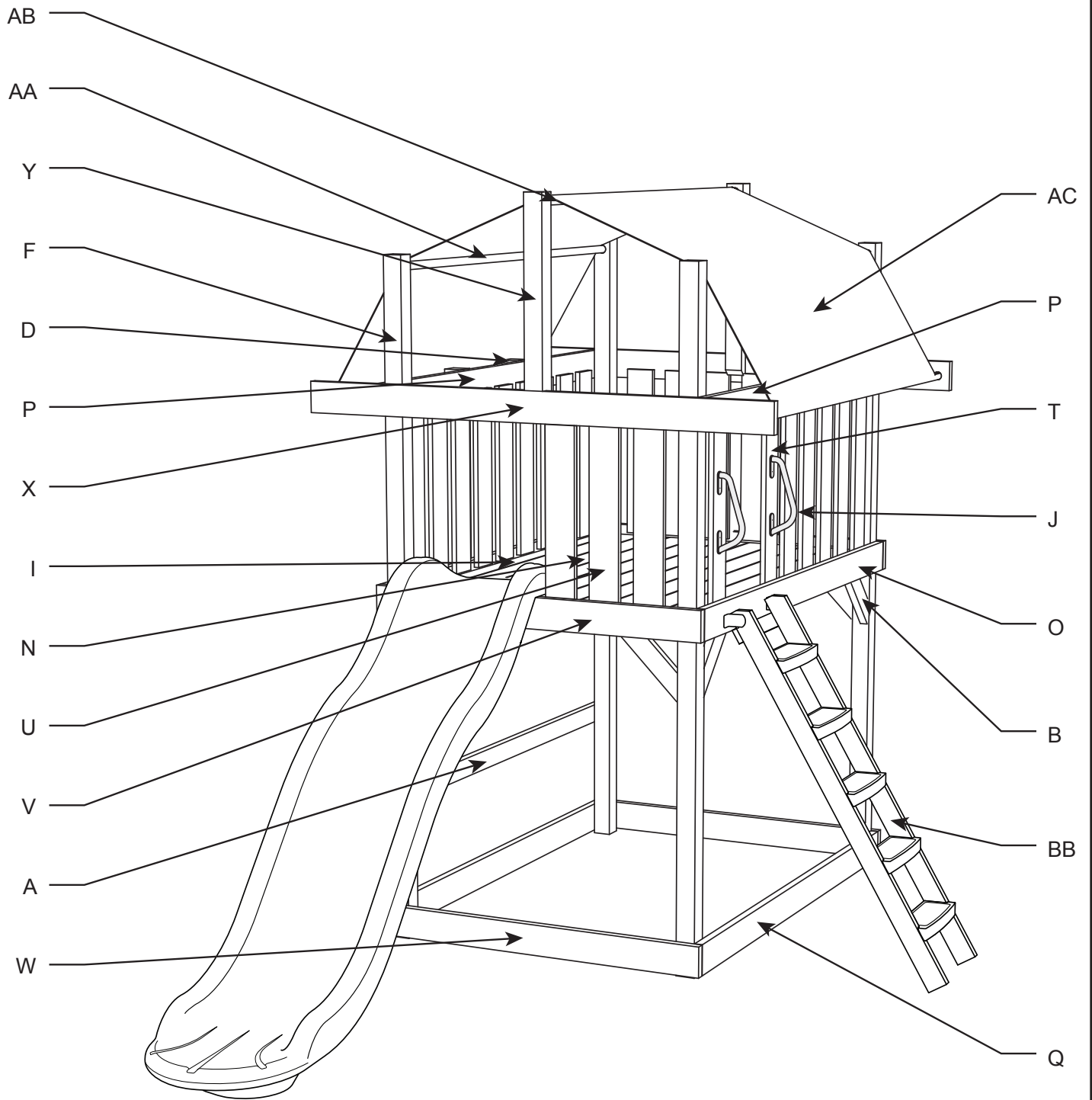


**Typical Installation - Wood Screws:**

- Use an electric drill or screw gun to drive screws.
- Drill 1/8" pilot holes where required.
- We recommend that you lubricate the threads of the screws with beeswax or soap to ease installation and minimize breaking screws.
- **It is very important to make certain that the tops of all screws are flush with the surface of the wood and there are no protruding sharp edges.**



# PLAY SET VIEW



## Component Part Identification:

Take inventory of all parts, making sure nothing is missing or defective.

If you find that parts are missing or defective call the Creative Playthings Customer Service Department at 1-800-598-4997

\* Not visible in illustration 9 on Page 6

### BOX 1

#### 63007-421 Lexington Gym Box 1



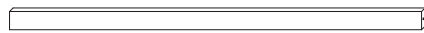
A 1 Ea 31465-102 Safety Rail - 2 x 4 x 83-1/4"



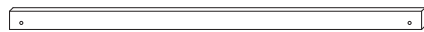
B 8 Ea 31682-102 Angle Brace - 2 x 4 x 17-1/4"



F 4 Ea 32405-102 Corner Post - 4 x 4 x 116"



G\* 3 Ea 32406-102 Inside Stringer - 2 x 3 x 56-1/2"



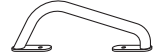
H\* 2 Ea 32407-102 Outside Stringer - 2 x 3 x 56-1/2"



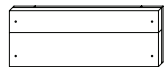
I 2 Ea 32408-102 Narrow Platform Board - 5/4 x 4 x 76-3/4"



J 2 Ea 15034-100 Hand Grip



or 2 Ea 14179-400 Deluxe Hand Grip, Green



K\* 1 Ea 40658-102 Slide Mount

L\* 1 Ea 50334-700 Hardware Bag - SP (2005)

M\* 1 Ea 50345-200 Hole Cap Pack

### BOX 3

#### 63007-423 Lexington Gym Box 3



T 2 Ea 32403-102 Entrance Wall Slat - 5/4 x 6 x 31-1/2"



U 20 Ea 32404-102 Wall Slat - 5/4 x 6 x 31-1/2"



V 2 Ea 32415-102 Platform End - 2 x 6 x 59-1/4"



W 2 Ea 32416-102 Sandbox End - 2 x 6 x 59-1/4"

If your gym is configured with no accessories that require a wall opening for access, three additional Wall Slats are provided. If additional Slats are not included, contact customer service.



U 3 Ea 32404-102 Wall Slat - 5/4 x 6 x 31-1/2"

## COMPONENT PARTS

### BOX 2

#### 63007-422 Lexington Gym Box 2



N 9 Ea 32409-102 Platform Board - 5/4 x 6 x 83-1/4"



O 2 Ea 32411-102 Platform Side - 2 x 6 x 83-1/4"



P 2 Ea 32413-102 Side Wall Support - 2 x 6 x 83-1/4"



Q 2 Ea 32414-102 Sandbox Side - 2 x 6 x 83-1/4"

#### 63007-424 - Tent Box



X 2 Ea 32417-102 End Tent Support - 2 x 6 x 83-1/2"



Y 2 Ea 32418-102 Tent Post - 4 x 4 x 35-1/2"

Z\* 1 Ea 50346-700 Tent Hardware Bag



AA 2 Ea 14149-400 Tent Pipe - 1-3/8" Dia. x 80-3/4"



AB 3 Ea 14166-400 Tent Pipe - 1-3/8" Dia. x 85"

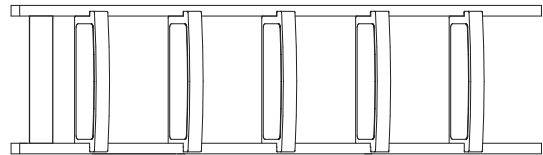


AC 1 Ea 40285-400 Lexington/Durango Tent - Green

### TENT BOX

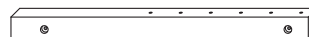
### ACCESS LADDER

#### Access Ladder Box - SH946-102



BB 1 ea 40422-102 Access Ladder Assembly

This gym comes standard with no Swing Mounts. One Swing Mount is needed to attach a 7 Ft Beam to the gym. If you have a 7 Ft Beam and the Swing Mount has not been included, contact customer service.



D 1 31820-102 Swing Mount - 4 x 4 x 39"

# MAINTENANCE INSTRUCTIONS

YOUR CREATIVE PLAYTHINGS PLAY SET IS STAINED AT OUR FACTORY. STAINING IS NOT NEEDED AT THE TIME OF INITIAL ASSEMBLY.

## Re-staining Information:

- Pigmented, exterior, water repellent stains are recommended and will provide an excellent barrier against moisture without hiding the natural wood grain or leaving a film that may later crack or peel.
- We recommend that you apply stain according to the instructions and precautions recommended by the stain manufacturer.
- It should take three or more quarts to cover your set.
- Contact your local dealer or call Creative Playthings for our staining products.
- All rungs are pre-finished at the factory and do not require any finishing at the time of initial assembly.
- Do not paint, or varnish wooden rungs or steps.
- Avoid using finishes that create slippery surfaces.

## Maintenance:

- Wooden playground equipment will last for years with proper maintenance. Maintenance of the play set finish will vary depending on weather climate.
- As a safety precaution, check all hardware for tightness twice a month during use and at the beginning of each play season. Tighten as required and specified in these instructions. Do not over tighten.
- Check structure twice monthly during usage for any evidence of deterioration. If upon inspection, hardware has sharp edges, rusted or structural pieces have signs of premature failure; replace them through Creative Playthings Customer Service.
- Oil all metallic moving parts monthly during the usage season.
- The swings, trapeze, tent, rope ladders, and any other removable plastic accessories should be removed and taken indoors when outside temperatures drop below 32° F (0° C).
- Wood will expand and contract as it adjusts to temperature changes and varying moisture conditions. Checks or cracks are a natural characteristic of all wood and will not affect the strength or durability of the wooden components.
- To maintain the finish of your set, a light sanding and an application of an exterior stain will repair scratches and prevent wood from aging prematurely.
- The wood parts of your play set should never be disposed of by burning.
- Dispose of all parts so as not to create a hazard.

## Tools & Materials Suggested for Finishing & Assembly:

- Safety glasses
- Driver drill
- 1/8", 3/16", 5/16", and 3/8" diameter drill bits.
- 1/2" socket driver
- #2 Phillips screw tip
- Carpenters level
- Hammer
- Pliers
- Pencil
- Tape measure
- 7/16" box end wrench or adjustable C-wrench
- Framing square or short level
- Pocket knife
- 6ft step ladder

## Maintenance suggested by ASTM Guidelines for Home Play Equipment:

### At the beginning of each play season:

- Tighten all hardware.
- Lubricate all metallic moving parts.
- Check all protective coverings on bolts, pipes, edges, and corners. Replace if they are loose, cracked, or missing.
- Check all moving parts including swing seats, ropes, cables, and chains for wear, rust, or other deterioration. Replace as needed.
- Check metal parts for rust. If found, sand and repaint using a nonlead-based paint meeting the requirements of 16 CFR 1303.
- Check all wood members for deterioration and splinters. Sand down splinters and replace deteriorating wood members.
- Reinstall any plastic parts, such as swing seats or any other items that were removed for the cold season.
- Rake and check depth of loose fill protective surfacing materials to prevent compaction maintain appropriate depth. Replace as necessary.

### Twice a month during play season:

- Tighten all hardware.
- Check all protective coverings on bolts, pipes, edges, and corners. Replace if they are loose, cracked, or missing.
- Rake and check depth of loose fill protective surfacing materials to prevent compaction maintain appropriate depth. Replace as necessary.

### Once a month during play season:

- Lubricate all metallic moving parts per manufacturer's instructions.
- Check all moving parts including swing seats, ropes, cables, and chains for wear, rust, or other deterioration. Replace as needed.

### At the end of each play season or when the temperature drops below 32°F:

- Remove plastic swing seats and other items as specified by the manufacturer and take indoors or do not use.
- Rake and check depth of loose fill protective surfacing materials to prevent compaction maintain appropriate depth. Replace as necessary.

Owners shall be responsible for maintaining the legibility of the warning labels.

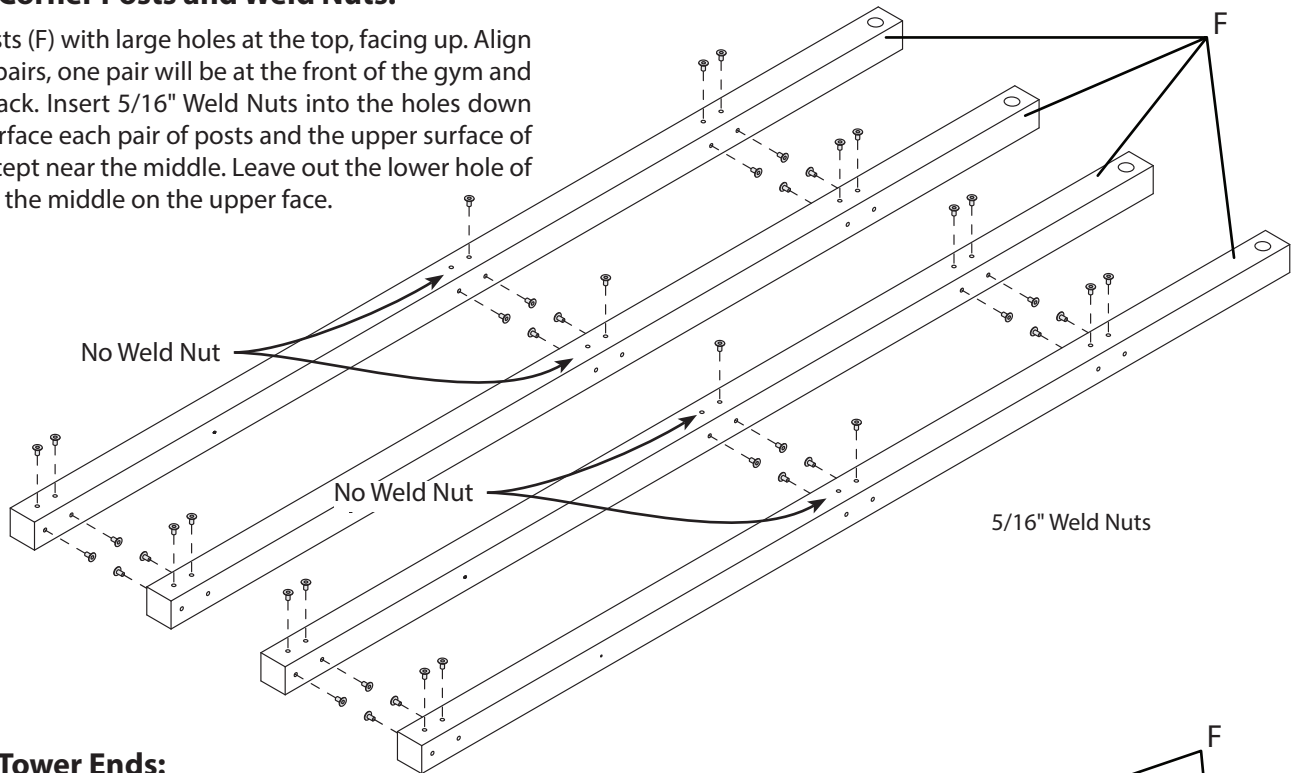


# ASSEMBLY INSTRUCTIONS

**Pre-Assembly Note:** The Lexington tower is used in many package configurations. Please see the package guide for your configuration. If your play set will be using a custom layout, there will not be a package guide. In all cases keep your layout in mind while assembling this tower.

## STEP 1 — Corner Posts and Weld Nuts:

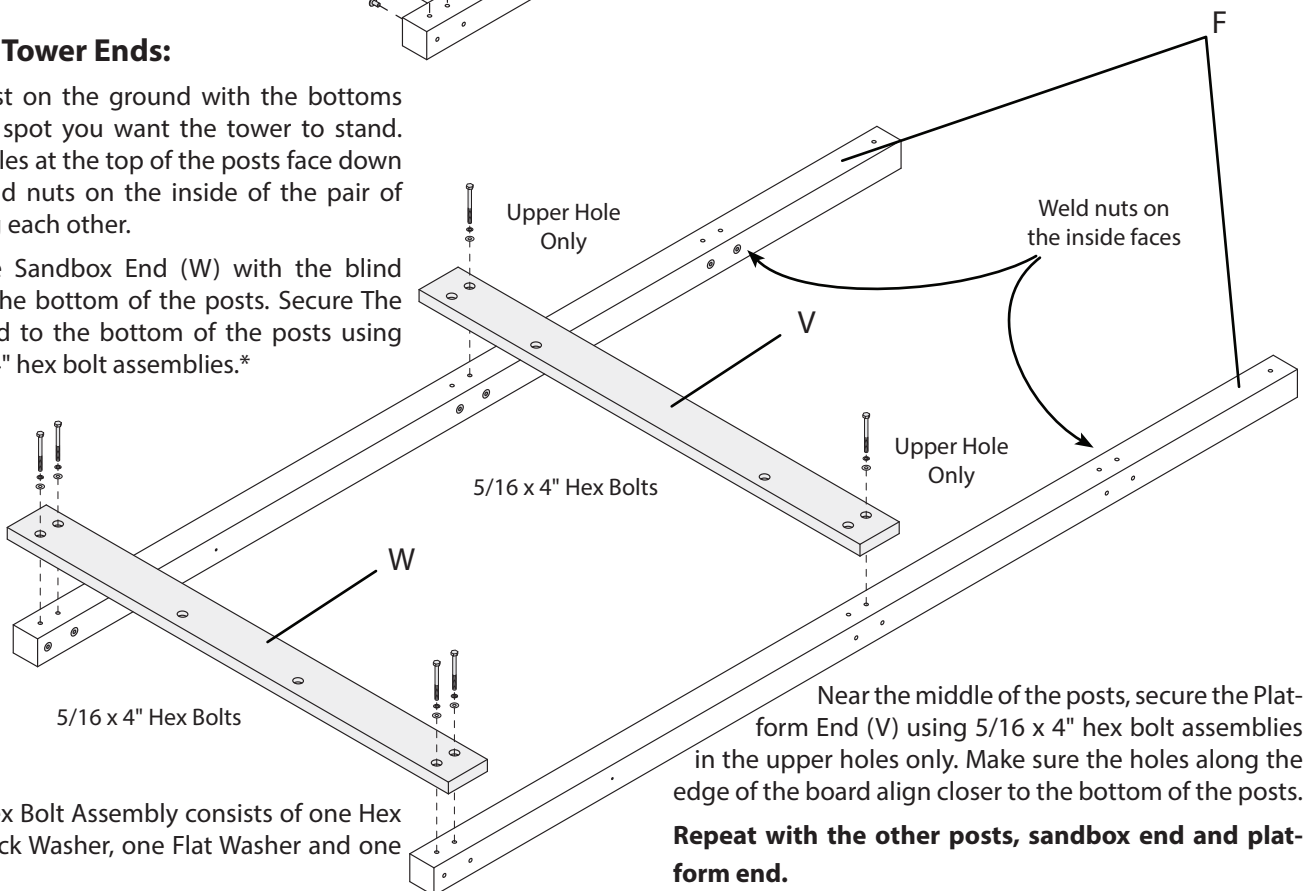
Place the Posts (F) with large holes at the top, facing up. Align the posts in pairs, one pair will be at the front of the gym and one at the back. Insert 5/16" Weld Nuts into the holes down the inside surface each pair of posts and the upper surface of the posts except near the middle. Leave out the lower hole of the two near the middle on the upper face.



## STEP 2 — Tower Ends:

Lay two post on the ground with the bottoms next to the spot you want the tower to stand. Align big holes at the top of the posts face down and the weld nuts on the inside of the pair of posts, facing each other.

Arrange the Sandbox End (W) with the blind holes near the bottom of the posts. Secure The sandbox end to the bottom of the posts using four 5/16 x 4" hex bolt assemblies.\*



\* Note: A Hex Bolt Assembly consists of one Hex Bolt, one Lock Washer, one Flat Washer and one Weld Nut.

Near the middle of the posts, secure the Platform End (V) using 5/16 x 4" hex bolt assemblies in the upper holes only. Make sure the holes along the edge of the board align closer to the bottom of the posts.

**Repeat with the other posts, sandbox end and platform end.**

## ASSEMBLY INSTRUCTIONS

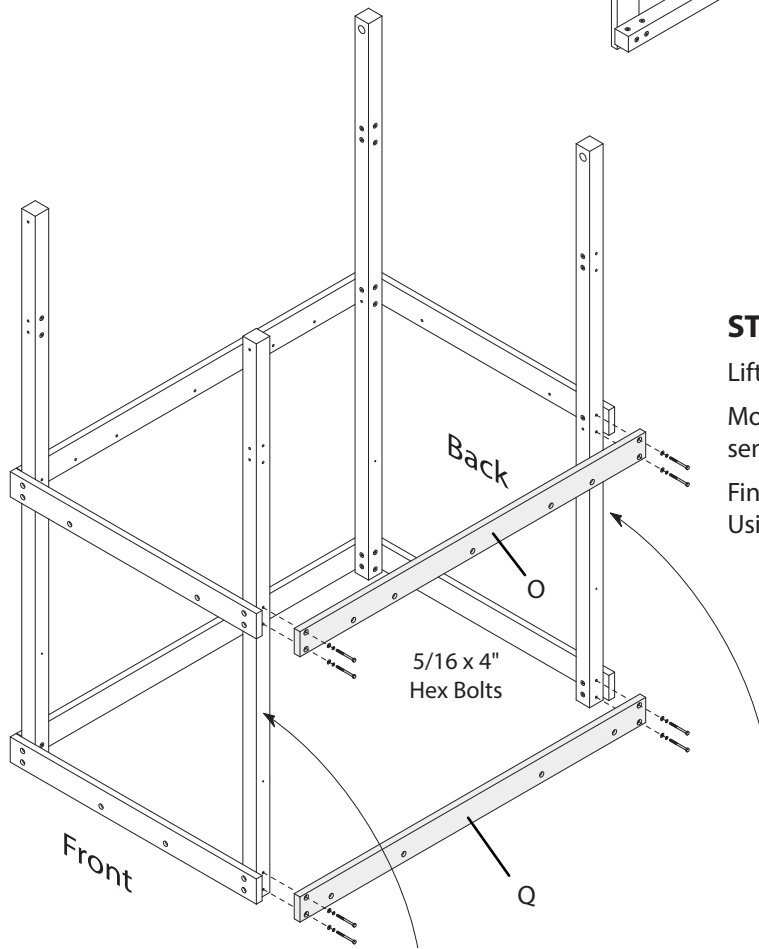
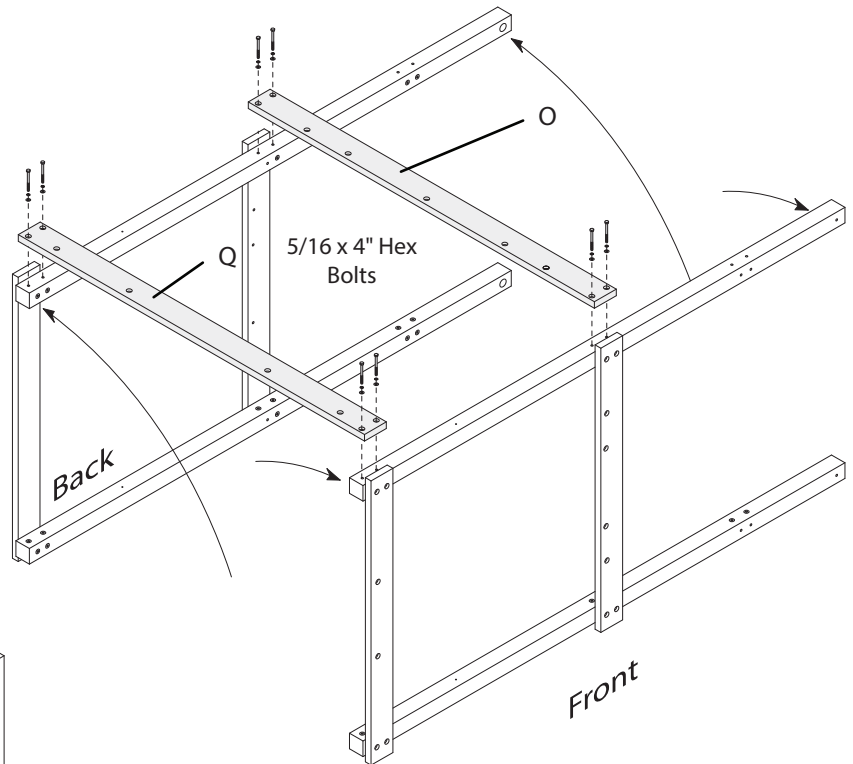
### STEP 3 — First Tower Side:

Raise one tower assembly on edge.

Secure one end of a Sandbox Side (Q) to the corner post using two 4" hex bolt assemblies. (Align the blind holes nearest to the bottom of the posts).

Raise one side of the other assembly about 6-1/2 feet from the first and secure the next end of the sandbox side to it in the same way.

Move to the middle of the posts and secure one Platform Side (O) using four 4" hex bolt assemblies, two at each end. Make sure the holes along the edge of the board align closer to the bottom of the posts.

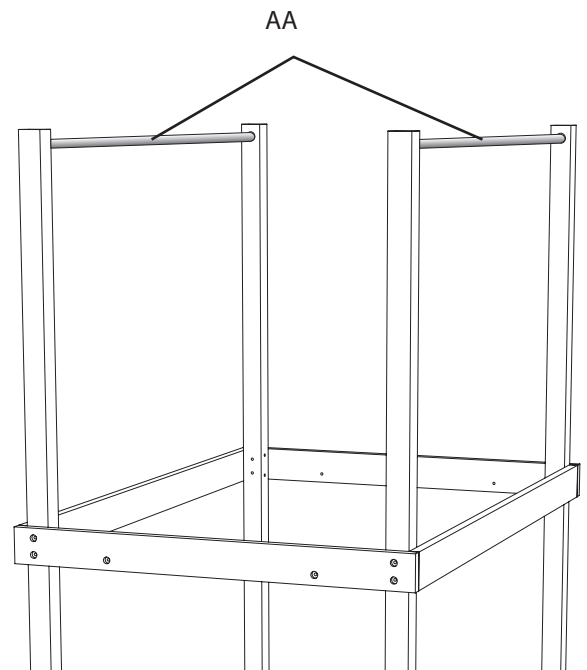


### STEP 4 — Raise Tower, Install Ends:

Lift the top of the tower and settle the tower onto its base.

Mount the remaining Platform Side (O) using four 4" hex bolt assemblies, two at each end.

Finish the tower base by installing the second Sandbox Side (Q) Using four 5/16 x 4" hex bolt assemblies.



### STEP 5 — Short Tent Pipes:

Slide one 80-3/4" Tent Pipe (AA) into the large hole in the front of the left rear corner post. Slide the other end into the hole in the back of the left front corner post.

You may need to loosen or remove one of the bolts holding the platform side. Repeat with the other 80-3/4" Tent Pipe and the right corner posts. Restore and tighten the bolts holding the platform sides.

## ASSEMBLY INSTRUCTIONS

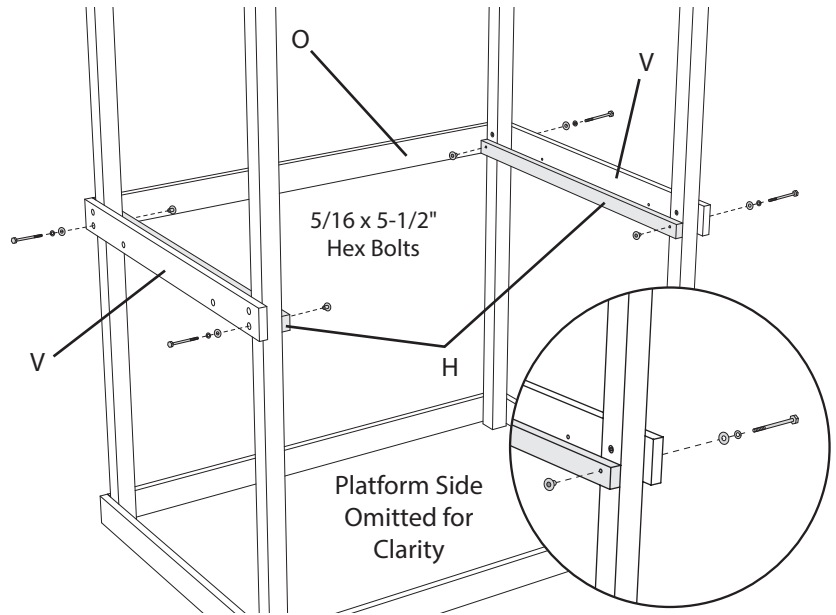
Move the tower to the final intended position. Use a carpenter's level to assure the base is level and the posts are plumb.

### STEP 6 — Outside Stringers:

Mount the Outside Stringers (H) to the inside of the front and rear corner posts using two 5/16 x 5-1/2" hex bolt assemblies as shown. Start the hex bolt from the outside of the gym. Push each bolt through the bottom hole in the front or rear platform ends and the corner posts before passing through the outside stringer.

Make sure the platform ends and outside stringers align across the bottom edge.

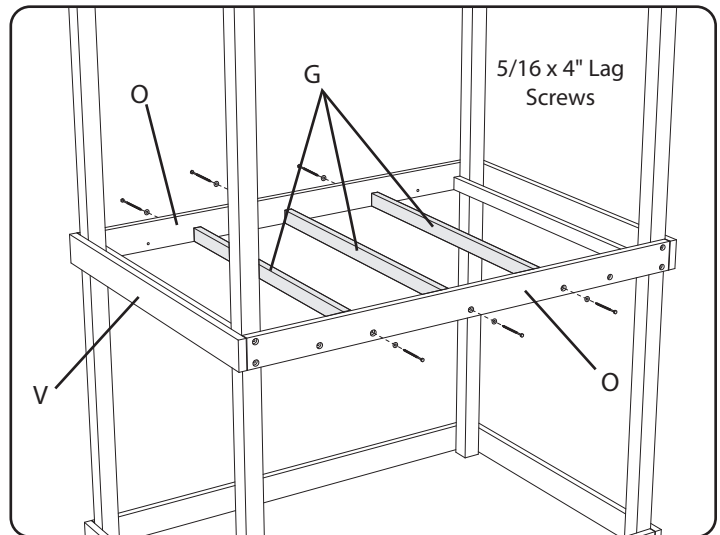
Hint: The holes in the outside stringers are offset from the center of the board; you may have to flip the board to achieve proper alignment.



### STEP 7 — Inside Stringers

Mount each of three Inside Stringers (G) between the platform sides using two 5/16 x 4" Lag Screws and Flat Washers as shown.

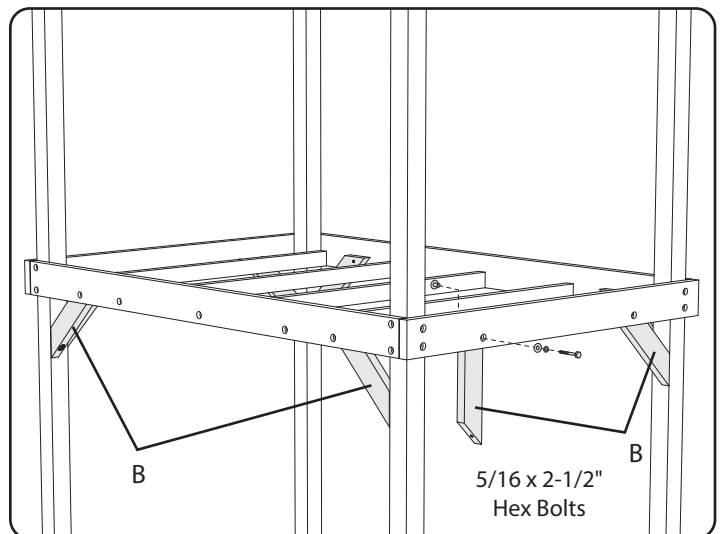
Make sure the outside stringers and inside stringers align across top edges.



### STEP 8 — Angle Braces:

Fasten an Angle Brace (B) to each end of both platform sides using four 5/16 x 2-1/2" hex bolt assemblies. Do not tighten yet. Fasten each angle brace so the angled end is flat against the nearest corner post.

Fasten an Angle Brace (B) to each end of the platform ends using four 5/16 x 2-1/2" hex bolt assemblies. Do not tighten yet. Align each angle brace so the angled end is flat against the nearest corner post.



## ASSEMBLY INSTRUCTIONS

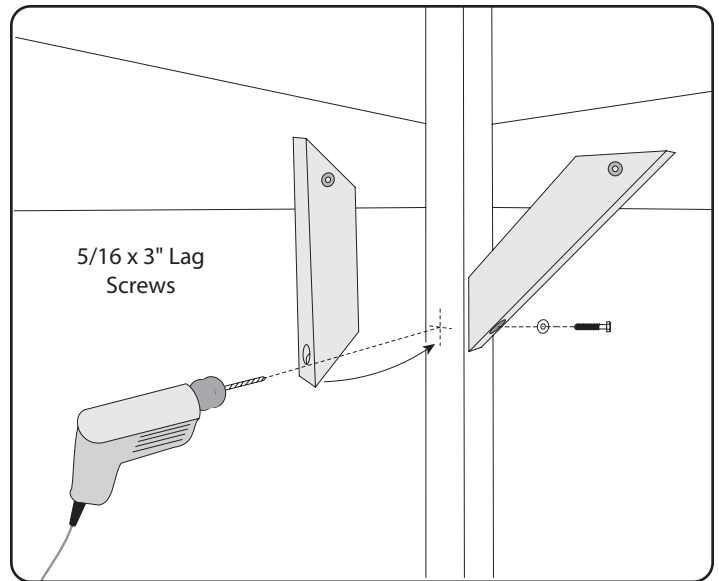
### STEP 9 — Angle Braces (continued):

Double check the posts are still plumb.

Tighten all connections except the angle braces. Do not over tighten.

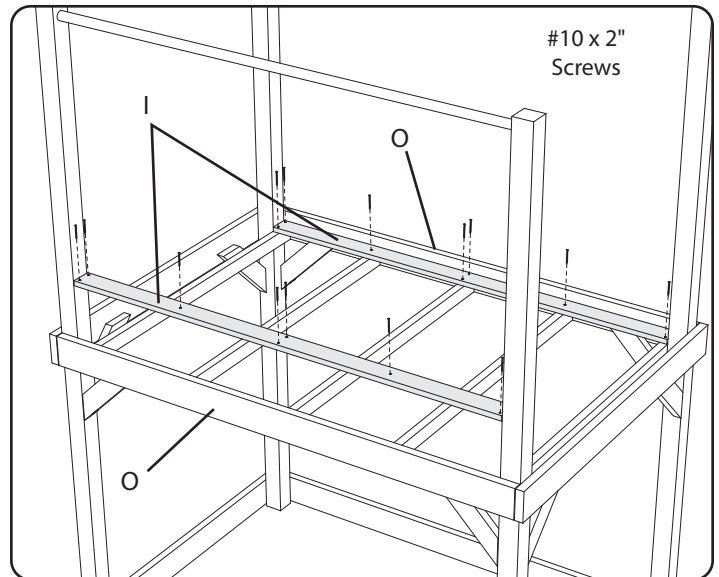
Position all Angle Braces (B) with the angled ends flat against the corner posts nearest to them. With a pencil, mark the position where the holes in the braces rest against the corner posts. At each mark drill a 3/16" diameter pilot hole 2" deep into the posts. Fasten the angle braces to the adjacent posts using one 5/16 x 3" lag screw and flat washer each.

Note: The stringers have been omitted from the illustration for clarity.



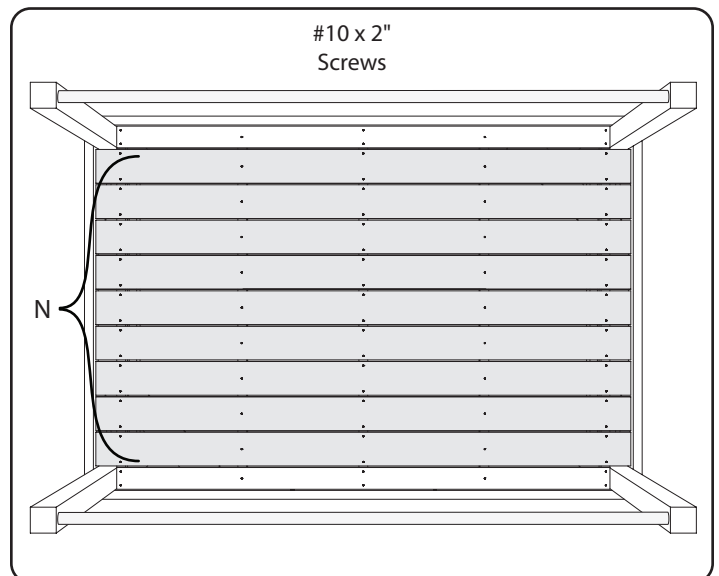
### STEP 10 — Narrow Platform Boards:

Place the two Narrow Platform Boards (I) tight against the platform sides on top of the stringers. Fasten the narrow platform boards to the stringers with eight #10 x 2" screws on each board.

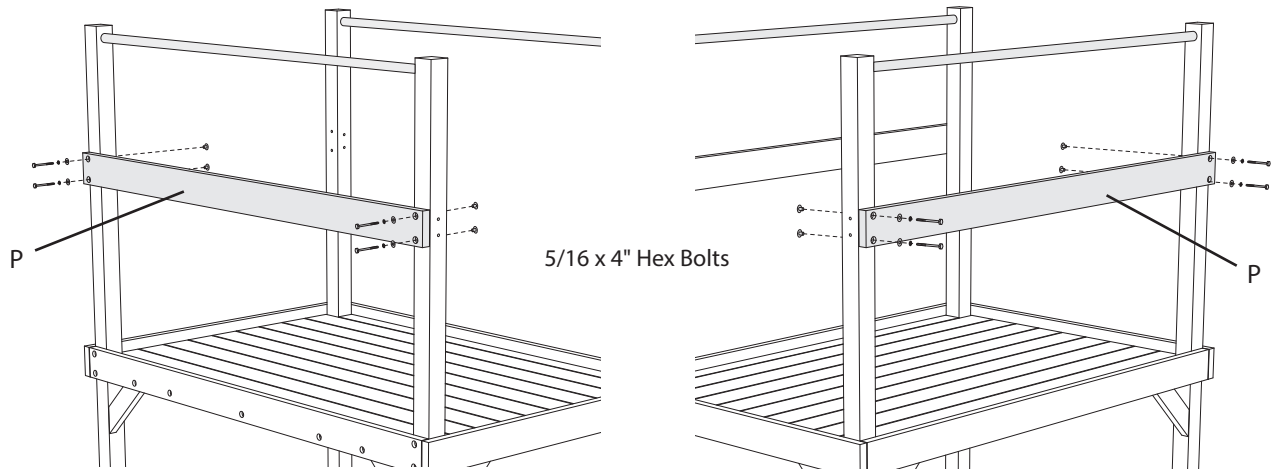


### STEP 11 — Platform Boards:

Lay out all nine Platform Boards (N) on the inside and outside stringers. Check each board to make sure the best looking surface faces up. Space the platform boards evenly between the narrow platform boards. Fasten each platform board using eight #10 x 2" screws.



## ASSEMBLY INSTRUCTIONS



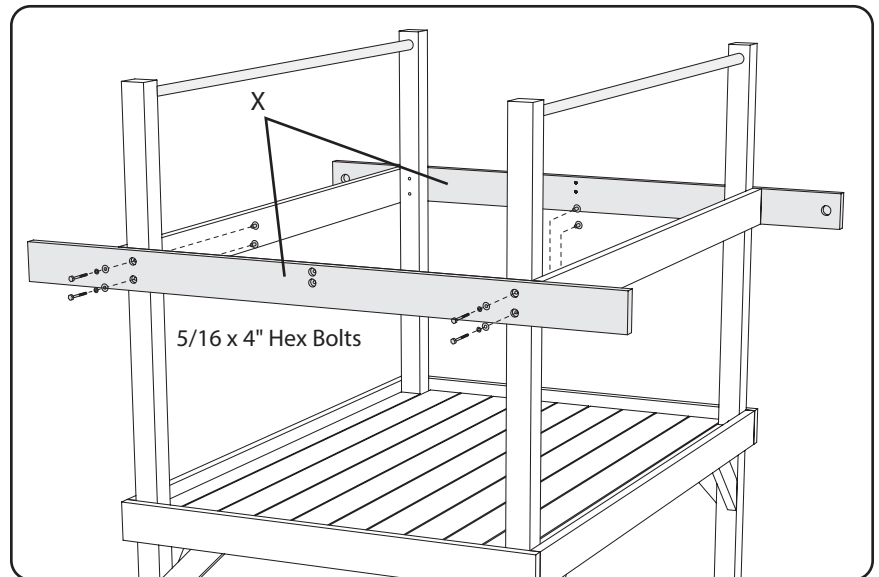
### STEP 12 — Side Wall Supports:

Fasten one Side Wall Support (P) to the corner posts above the left platform side using four 5/16 x 4" hex bolt assemblies. Fasten the other side wall support to the corner posts above the right platform side in the same way.

### STEP 13 — End Tent Supports:

Fasten the End Tent Supports (X) to the corner posts above the platform ends using four 5/16 x 4" hex bolt assemblies for each support. Arrange the parts so the holes at the center align near the top edge.

Note: you will need to loosen these fasteners when installing the tent in a later step.

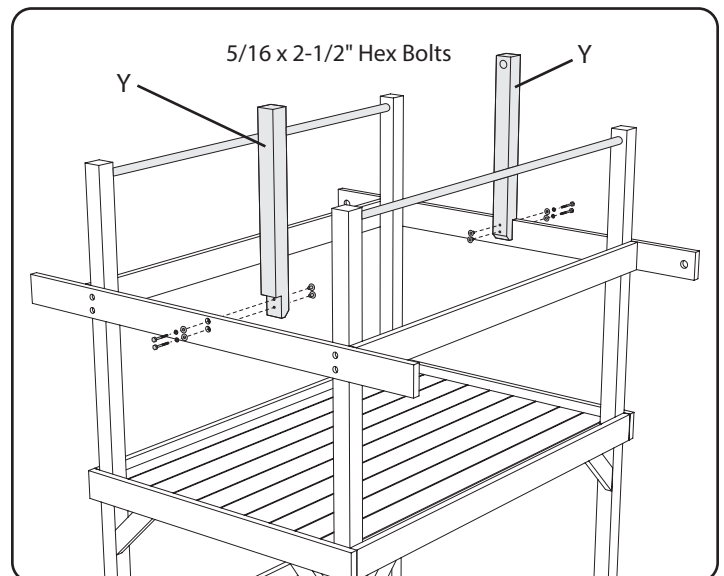


### STEP 14 — Tent Posts:

Fasten one Tent Post (Y) to the front end tent support using two 2-1/2" hex bolt assemblies, as shown.

Repeat with the other tent post with the rear end tent support. Make sure that the each tent post is perpendicular to the adjacent end tent support.

Hint: Insert the pipe from the next step before finally tightening the fasteners.



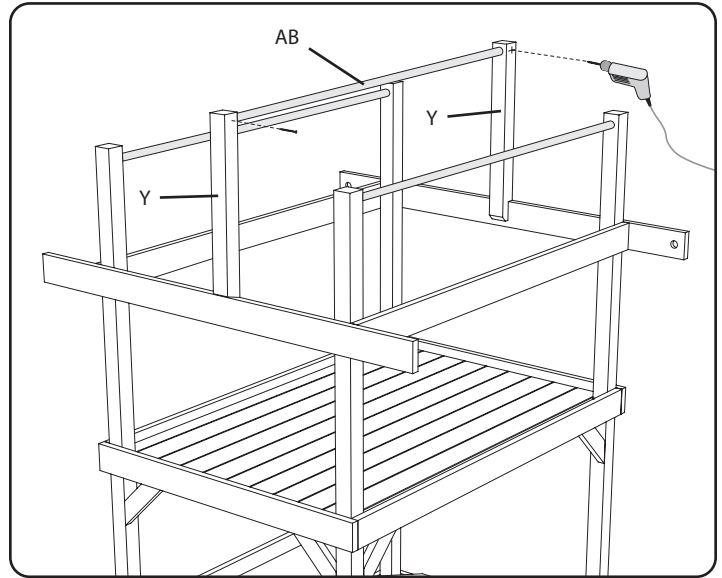
## ASSEMBLY INSTRUCTIONS

### STEP 15 — Center Tent Pipe:

Fit one of the 85" Tent Pipes (AB) into the holes at the top of the tent posts installed in the previous step.

Hold the tent pipe in place inside one of the tent posts. Use a 1/8" diameter high speed steel drill to bore a pilot hole through one side of the tent post and one wall of the steel tent pipe. Secure the tent pipe to the tent post using one #10 x 1-5/8" screw.

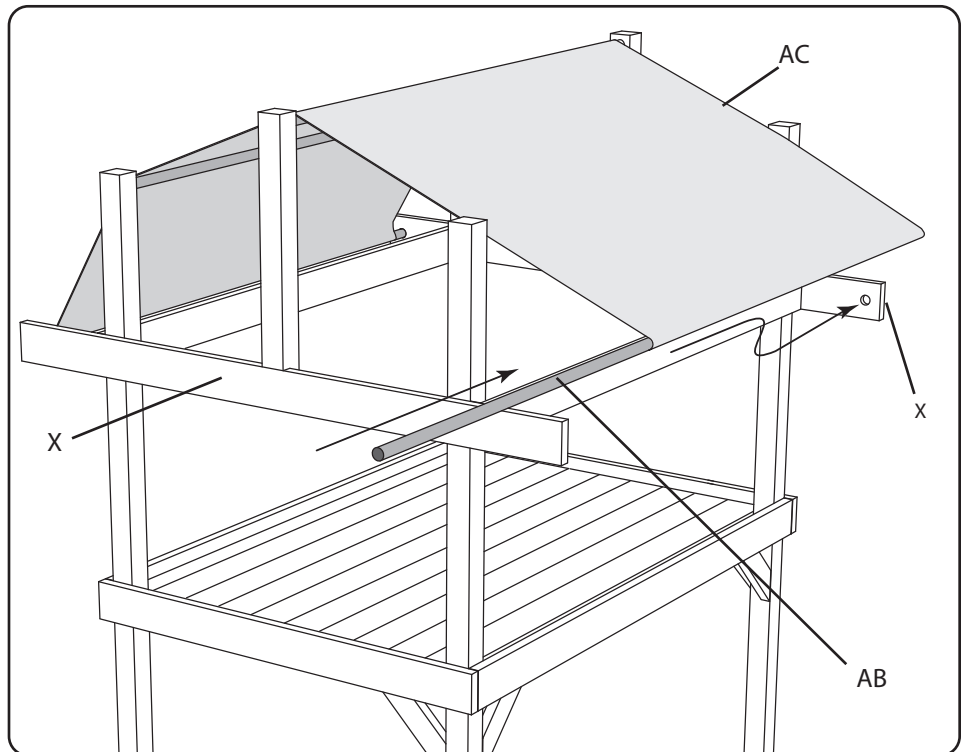
Make sure the two tent posts are plumb and perpendicular to the gym before securing the other end of the tent pipe to the other tent post with the pilot drill and screw, as above.



### STEP 16 — Tent:

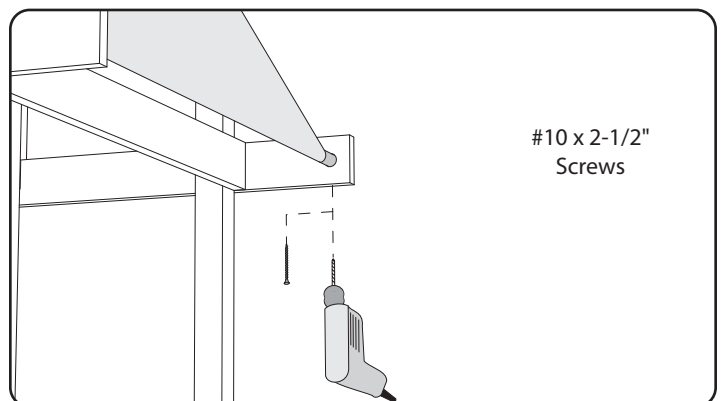
Drape the Tent (AC) over the three center tent pipes with the hem facing down. Slide one 85" Tent Pipe (AB) through the pocket at each end of the tent.

Insert the ends of the tent pipes (AB) into the holes in the end tent supports, as shown. Loosen the bolts securing the front end tent support to fit the tent pipes into place. Re-tighten the hardware when the tent pipes are seated.



### STEP 17 — Secure Tent Pipes:

Use a 1/8" diameter high speed steel drill to bore a pilot hole through the bottom of an end tent support and one wall of the steel tent pipe, as shown. Secure the tent pipe to the end tent support using one #10 x 2-1/2" screw. Repeat with the other three ends of the tent pipes.



## ASSEMBLY INSTRUCTIONS

Now the basic tower is assembled, it's time to decide where the accessory play features will mount. Consult the package guide for your specific layout. Install the accessory play features before installing wall slats.

This document continues with the access ladder and slide installation required for almost all packages. Be sure to adapt the placement for your play package.

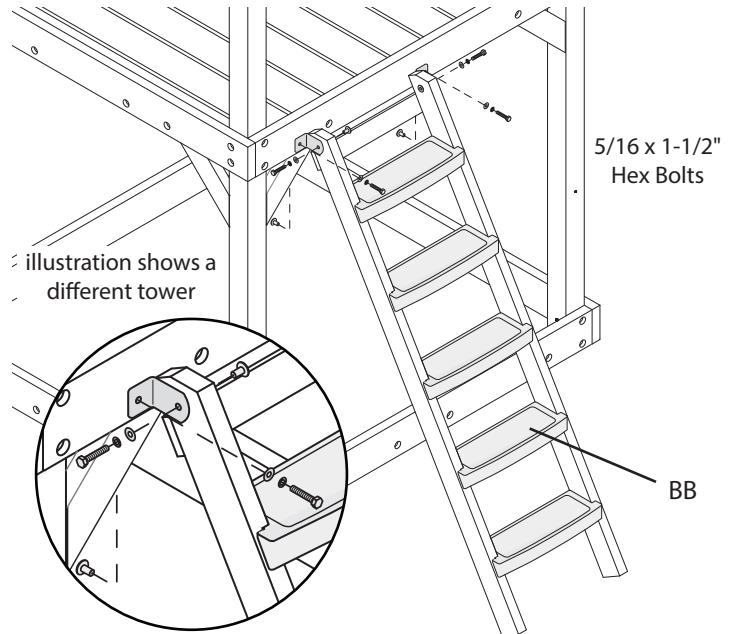
### STEP 18 — Access Ladder:

Loosely fasten two Access Brackets to the Access Ladder (BB) using one 5/16" x 1-1/2" hex bolt assembly each, as shown.

Rest the ladder against the platform side. Make sure the bottom is securely on the ground. The left edge of the access ladder should be 11" from the end of the platform side.

Check behind the platform support where the brackets rest for interference before drilling. The brackets can be mounted to the inside of the ladder rails if needed. Mark and drill 3/8" diameter holes through the platform side. Fasten each bracket to the platform side using one 5/16 x 1-1/2" hex bolt assembly.

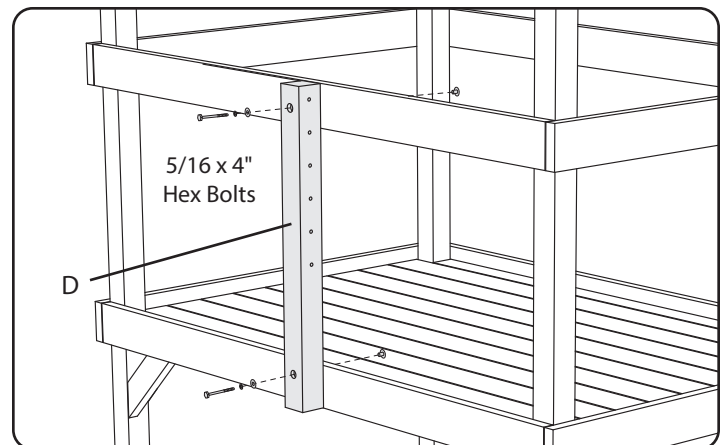
Note: The access ladder can be mounted on any side of the gym, provided the placement does not interfere with other accessories. The access ladder must be mounted well clear of any swing accessories. Provide space to mount entrance slats and hand grips on either side of the access ladder.



### STEP 19 — Swing Mount:

The Swing Mount (D) can be attached to any side of a gym. One swing mount is used for a 7 Ft swing beam. No swing mounts are needed for a 9 Ft Swing Beam.

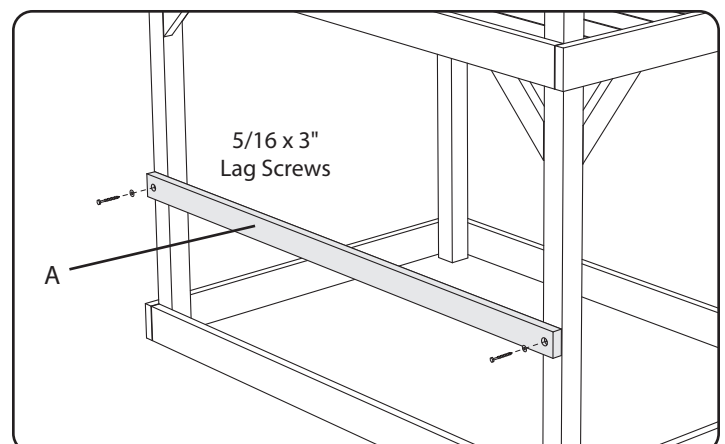
See the instructions that come with your swing frame for the steps required to install swing mounts.



### STEP 20 — Safety Rail:

If you are mounting a swing beam to this gym, install the Safety Rail (A) to keep children from walking into the swing area. With no swings, the safety rail is not needed.

Fasten the safety rail to the corner posts on the same side of the tower as the swings using two 5/16 x 3" lag screws with 5/16" flat washers as shown. Use the pre-drilled holes provided.



# ASSEMBLY INSTRUCTIONS

The following steps include instructions for installing wall slats as shown on the cover of this guide. Plan the wall slat positions according to your layout. In general, try to provide passage wider than 15" for any event. The opening for a slide should be 24" or wider.

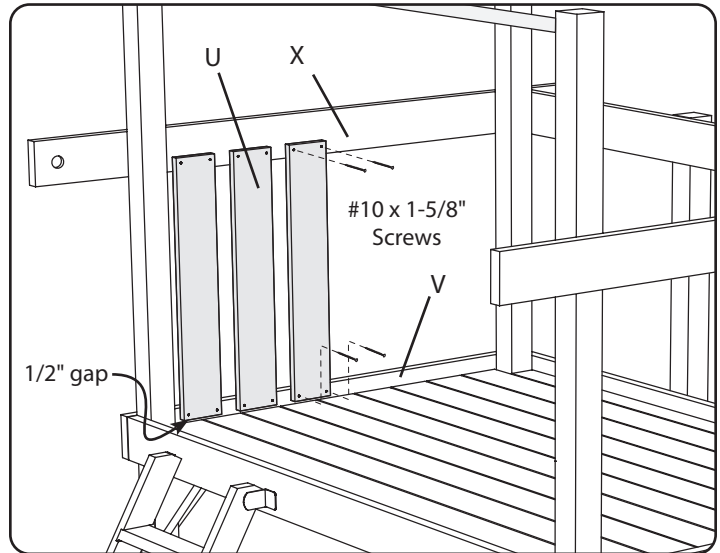
**It is extremely important to never leave a gap of more than 3-1/2" unless that gap is wider than 9".** A gap larger than 3-1/2" might allow a child's body to slip through leaving the child's head trapped. A head entrapment can be deadly.

## STEP 21 — Front Wall Slats:

Fasten three Wall Slats (U) to the front platform end and the front end tent support, as shown. Use four #10 x 1-5/8" screws in each wall slat. Leave approximately 2-3/4" between each wall slat. The bottom of all wall slats should be spaced approximately 1/2" above the platform surface.

Parts have been omitted from the illustration for clarity.

Hint: Use the Slide Mount (K) to make sure there is enough room for the slide.

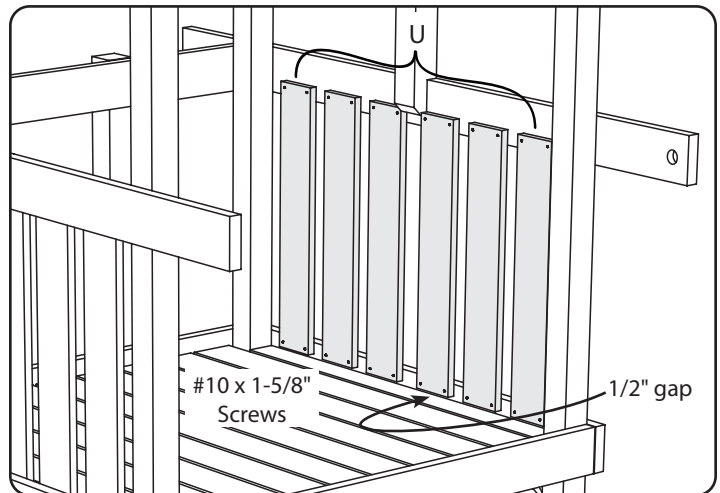


## STEP 22 — Rear Wall Slats:

Fasten six Wall Slats (U) to the rear platform end and the rear end tent support, as shown. Use four #10 x 1-5/8" screws in each wall slat.

Leave approximately 2-1/2" between each wall slat, except in the center where there may be a conflict with the tent post. In the center the gap will be 3-1/4"

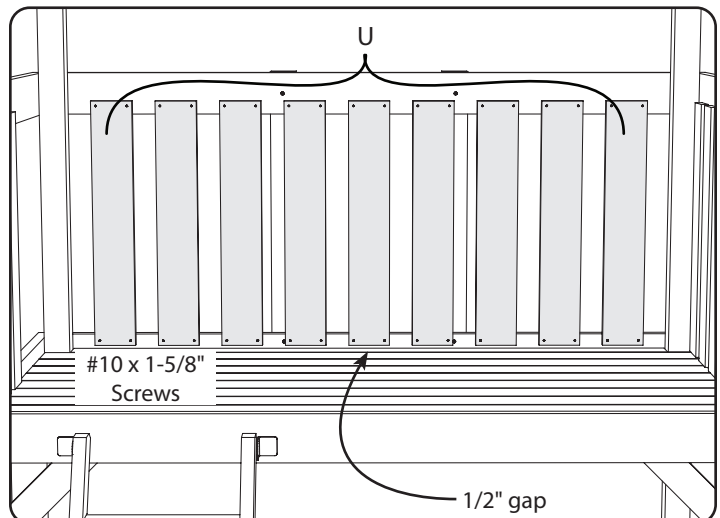
Parts have been omitted from the illustration for clarity.



## STEP 23 — Left Wall Slats:

Fasten nine Wall Slats (U) to the left platform side and the left wall support, as shown. Use four #10 x 1-5/8" screws in each wall slat. Leave approximately 3" between each wall slat.

Parts have been omitted from the illustration for clarity.



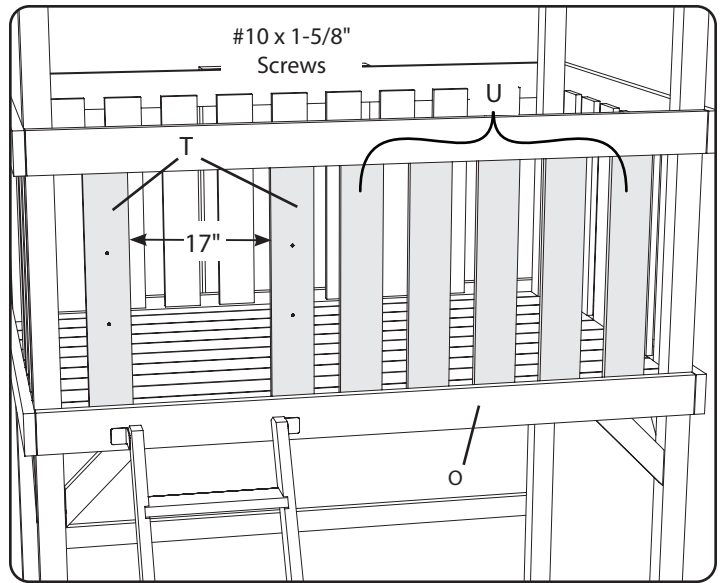


## ASSEMBLY INSTRUCTIONS

### STEP 24 — Right/Entrance Wall Slats:

Find two Entrance Wall Slats (T) and five Wall Slats (U). Place one entrance slat 3-3/8" from the front right corner post. Fasten the entrance slat to the inside of the right platform side and right side wall support using four #10 x 1-5/8" screws. Fasten the other entrance slat 17" from the first entrance slat using four #10 x 1-5/8" screws.

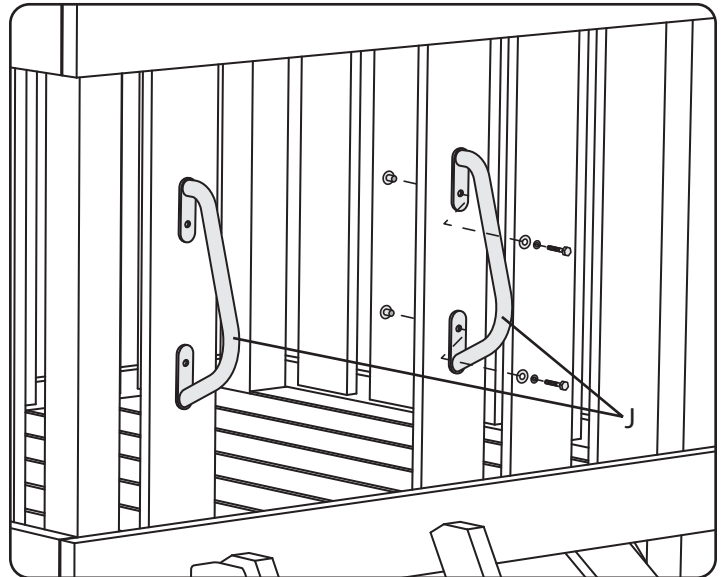
Evenly space five wall slats (U) between the entrance slat and the right rear corner post, as shown. The spacing will be approximately 3-3/8". Fasten the wall slat using four #10 x 1-5/8" screws each.



### STEP 25 — Hand Grips:

Fasten the Hand Grips (J) to the entrance wall slats using two 1/4 x 1" hex bolt assemblies each.

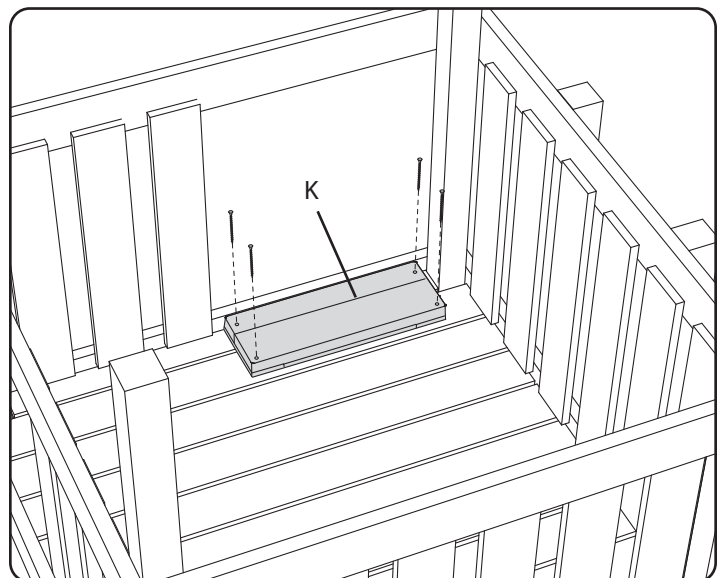
The hand grips must be oriented as shown in the illustration, with the big loop at the bottom.



### STEP 26 — Slide Mount:

Place the Slide Mount (K) tight against the front platform support, centered on the opening left for the slide. Temporarily put the slide in place to determine whether to use the wide or narrow board closer to the platform support. Secure the Slide Mount to the Platform Boards using four #10 x 2-1/2" Flat Head Wood Screws.

Drive the screws until the heads are flush with the top of the Slide Mount. Do not over-tighten; over-tightening may cause the points of the screws to protrude through the bottom of the Platform Boards.



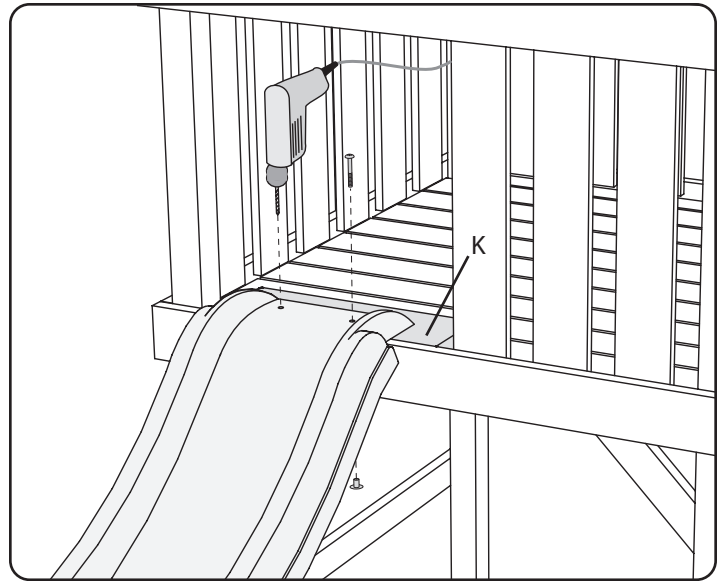
## ASSEMBLY INSTRUCTIONS

### STEP 27 — Slide:

Place the slide in the opening resting on the slide mount, projecting straight out from the tower. Your slide may have stops that indicate placement. If so, pull the slide tight against the platform support. If your slide does not have stops, check the underside of the slide to judge how far to overlap the slide mount. Make sure the holes in the slide are over the slide mount.

Make sure the slide extends out perpendicular from the play set.

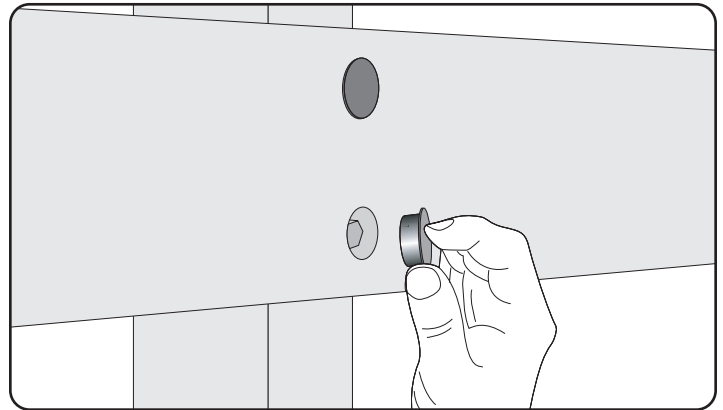
Drill 5/16" holes through the slide, slide mount and platform Boards using the indents in the slide as a guide. Fasten the slide using one 1/4 x 3" Truss Head Bolt and one 1/4" Weld Nut for each hole.



### STEP 28 — Hole Caps:

Make a final check to make sure all the bolts and screws have been tightened.

Locate the 1" Hole Caps. Install hole caps into all the counter-bored holes to cover and protect the hardware.



**Save all instruction sheets and receipts in case it becomes necessary to contact Creative Playthings for warranty service and/or part replacement. The warranty can be found in your Owner's Manual.**

**Please fill out the warranty card on the back of your owners manual. Your completed warranty card will allow us to quickly process warranty claims.  
Thank you.**