

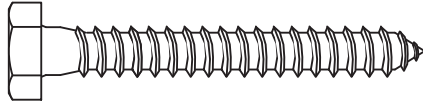
**MODEL #AA918-603**  
**ASSEMBLY MANUAL**

**CHIN-UP BAR**

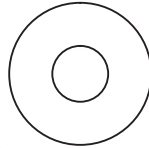
**NOTE:** Read these instructions completely before installation. Refer to your play set Instruction Manual for important safety and warranty information.

**⚠ CAUTION: Small Parts. Keep from children until fully assembled**

**ASSEMBLY HARDWARE:**



(2) 1/4 x 2" Lag Screw - 17036-801

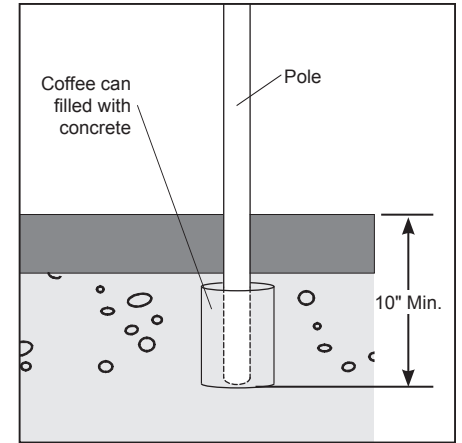
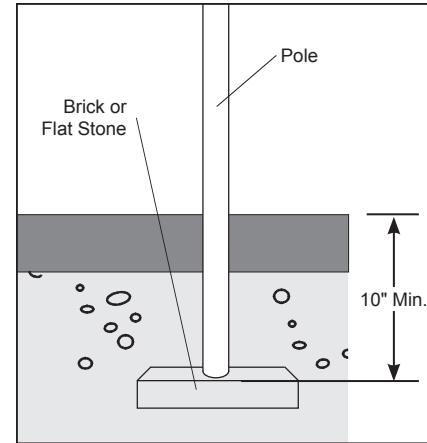


(2) 1/4" Flat Washer - 12002-205

**Prepare hole in the ground:**

Locate the best placement for the Chin-up Bar, square against a 4 x 4 upright post. Mark the placement of the end of the pole on the ground; the base of the pole must be set into the ground.

Measure the length of the pole and the desired height to calculate the depth of the hole required. The hole must be at least 10 inches deep. Dig a hole, place a brick or flat stone at the bottom of the hole. Alternatively, concrete can be used; see the next page.

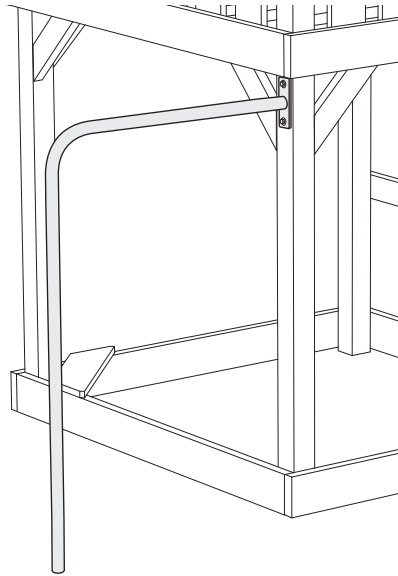


**Secure Chin-Up Bar in ground:**

After securing the pole to the play set, bury the end of the pole tightly, refer to the illustration above right.

You may wish to secure the pole by setting a coffee can in the whole and filling it with concrete. Fill the hole after concrete has set. This can be helpful in sandy soil.

**MAINTENANCE NOTE:** Sand rusted areas on Chin-Up Bar and cover using a non-lead based paint.



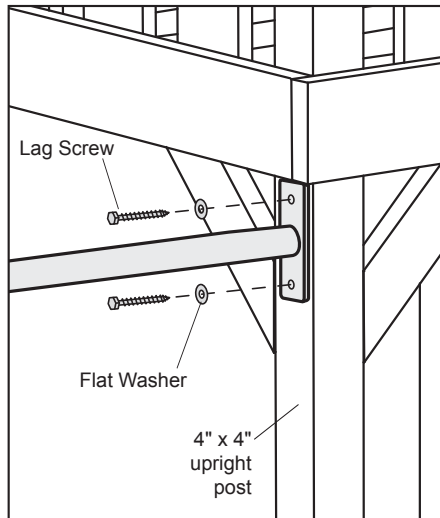
**NOTE: Do not install the Chin-Up Bar in a way it obstructs moving swings or other accessories.**

**Secure Chin-Up Bar to Playset:**

Put the Chin-up Bar in place with the flange on the pole resting flat against the 4 x 4 upright post. Mark the position of the holes in the flange on the upright post.

Drill 1/8" diameter pilot holes 2" deep into the upright post at the marks. Fasten the Chin-up Bar to the post using two 1/4 x 2" Lag Screws and 1/4" Flat Washers.

**Do not overtighten Lag Screws.**



**Creative Playthings is dedicated to serving the needs of its customers. Should you have a question about the installation of your accessory, need a part, or additional information, call our Customer Service Department at 1-800-598-4997.**