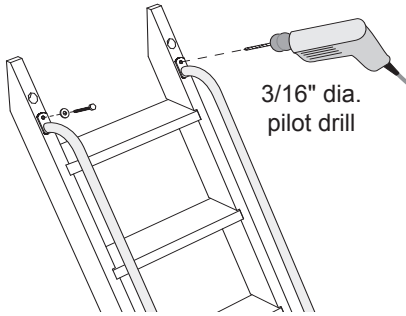


# Creative Playthings®

**ADULT ASSEMBLY REQUIRED.**  
Intended for Ages 2 to 12 Years.

**⚠ CAUTION: Small Parts. Keep from children until fully assembled**

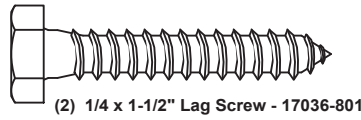


3/16" dia.  
pilot drill

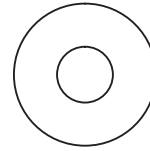
ACCESS LADDER HANDLE

© Copyright 2004, Creative Playthings. Printed in U.S.A.

## ACCESS LADDER HANDLE SKU # AG942-400



(2) 1/4 x 1-1/2" Lag Screw - 17036-801



(2) 1/4" Flat Washer  
12002-205

Review the safety information in the installation manual that was supplied with your play-set before installation. Mount the Access Ladder Handle close to the upper end of the Access Ladder rails on your play-set. It is important that the position you choose does not conflict with any other hardware. The support to which the Access Ladder Handle is fastened should be at least 1-1/8" thick.

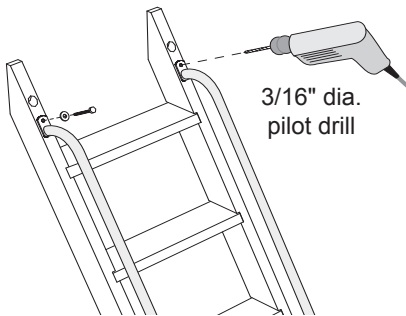
Hold each Access Ladder Handle in place, mark the attachment points on the wood with a pencil. **Pilot drill 3/16" diameter holes 1" deep.** Fasten each Access Ladder Handle using two of the 1/4 x 1-1/2" Lag Screws and 1/4" Flat Washers included. A ratchet wrench with a 7/16" socket is recommended to tighten the Lag Screw. Please note that this hardware is specially coated for corrosion resistance. If using non-Creative Playthings hardware it **MUST** be stainless steel or galvanized.

19665-100 Rev D (04-21)

# Creative Playthings®

**ADULT ASSEMBLY REQUIRED.**  
Intended for Ages 2 to 12 Years.

**⚠ CAUTION: Small Parts. Keep from children until fully assembled**

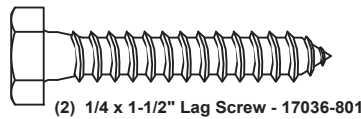


3/16" dia.  
pilot drill

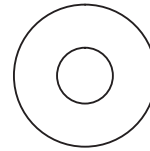
ACCESS LADDER HANDLE

© Copyright 2004, Creative Playthings. Printed in U.S.A.

## ACCESS LADDER HANDLE SKU # AG942-400



(2) 1/4 x 1-1/2" Lag Screw - 17036-801



(2) 1/4" Flat Washer  
12002-205

Review the safety information in the installation manual that was supplied with your play-set before installation. Mount the Access Ladder Handle close to the upper end of the Access Ladder rails on your play-set. It is important that the position you choose does not conflict with any other hardware. The support to which the Access Ladder Handle is fastened should be at least 1-1/8" thick.

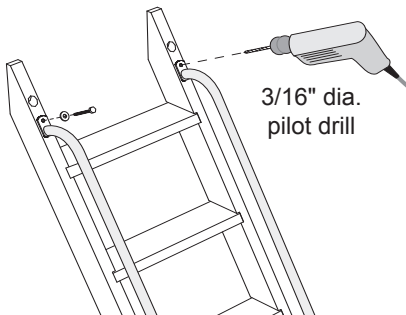
Hold each Access Ladder Handle in place, mark the attachment points on the wood with a pencil. **Pilot drill 3/16" diameter holes 1" deep.** Fasten each Access Ladder Handle using two of the 1/4 x 1-1/2" Lag Screws and 1/4" Flat Washers included. A ratchet wrench with a 7/16" socket is recommended to tighten the Lag Screw. Please note that this hardware is specially coated for corrosion resistance. If using non-Creative Playthings hardware it **MUST** be stainless steel or galvanized.

19665-100 Rev D (04-21)

# Creative Playthings®

**ADULT ASSEMBLY REQUIRED.**  
Intended for Ages 2 to 12 Years.

**⚠ CAUTION: Small Parts. Keep from children until fully assembled**

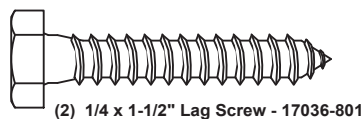


3/16" dia.  
pilot drill

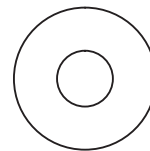
ACCESS LADDER HANDLE

© Copyright 2004, Creative Playthings. Printed in U.S.A.

## ACCESS LADDER HANDLE SKU # AG942-400



(2) 1/4 x 1-1/2" Lag Screw - 17036-801



(2) 1/4" Flat Washer  
12002-205

Review the safety information in the installation manual that was supplied with your play-set before installation. Mount the Access Ladder Handle close to the upper end of the Access Ladder rails on your play-set. It is important that the position you choose does not conflict with any other hardware. The support to which the Access Ladder Handle is fastened should be at least 1-1/8" thick.

Hold each Access Ladder Handle in place, mark the attachment points on the wood with a pencil. **Pilot drill 3/16" diameter holes 1" deep.** Fasten each Access Ladder Handle using two of the 1/4 x 1-1/2" Lag Screws and 1/4" Flat Washers included. A ratchet wrench with a 7/16" socket is recommended to tighten the Lag Screw. Please note that this hardware is specially coated for corrosion resistance. If using non-Creative Playthings hardware it **MUST** be stainless steel or galvanized.

19665-100 Rev D (04-21)