

# Creative Playthings®

## TELESCOPE ACCESSORY AE915-304

**⚠ CAUTION: Small Parts. Keep from children until fully assembled**

**ADULT ASSEMBLY REQUIRED. Intended for Ages 2 Years and Up.**

Creative Playthings takes great care to design its products with your child's safety in mind. However, only by careful **supervision** and explanation to your children, can you be assured of safe play time on any product designed for use by children. We ask you to carefully read the instructions before using the product. **Do not allow children to play with parts prior to assembly.**

This telescope can be mounted to your play set or used independently.

### **Includes:**

Plastic Telescope  
Mounting Bracket  
(2) #8 x 1-1/4" Screws

### **Tools required:**

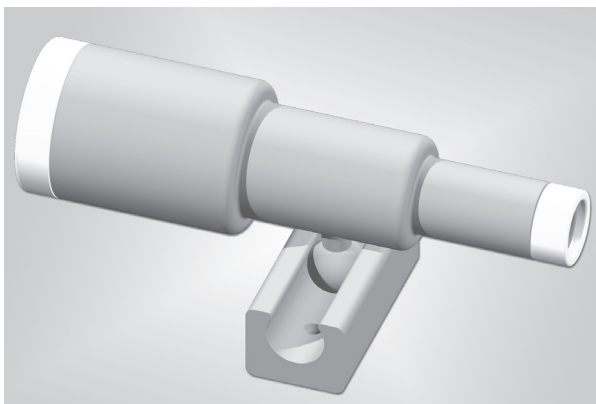
Phillips head screw driver

### **Mounting Instructions:**

1) Choose a mounting position for the telescope. Avoid mounting telescope in openings or in other positions where the bracket can be encountered by a running child.

2) Attach mounting bracket to wooden surface with the screws provided. Insert screws fully and check for any protrusions.

3) Snap the periscope into the bracket.



### **Safety Instructions**

BEFORE USE PLEASE INSTRUCT YOUR CHILDREN TO FOLLOW THESE SAFETY RULES WHILE ENJOYING THEIR TELESCOPE:

**DO NOT** look at the sun or any other intense light source with the telescope. SEVERE EYE DAMAGE COULD RESULT.

**DO NOT** use this telescope while running, walking, riding a bicycle, etc. INJURY FROM A FALL OR STRIKING AN UNSEEN OBSTACLE COULD OCCUR.

**DO NOT** climb on the telescope or mounting bracket. Mounting is inadequate to support the weight of a child.

TELESCOPE

19630-100 Rev B (02-21)

# Creative Playthings®

## TELESCOPE ACCESSORY AE915-304

**⚠ CAUTION: Small Parts. Keep from children until fully assembled**

**ADULT ASSEMBLY REQUIRED. Intended for Ages 2 Years and Up.**

Creative Playthings takes great care to design its products with your child's safety in mind. However, only by careful **supervision** and explanation to your children, can you be assured of safe play time on any product designed for use by children. We ask you to carefully read the instructions before using the product. **Do not allow children to play with parts prior to assembly.**

This telescope can be mounted to your play set or used independently.

### **Includes:**

Plastic Telescope  
Mounting Bracket  
(2) #8 x 1-1/4" Screws

### **Tools required:**

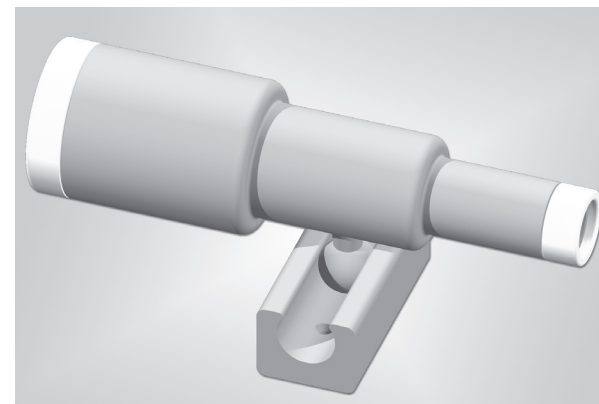
Phillips head screw driver

### **Mounting Instructions:**

1) Choose a mounting position for the telescope. Avoid mounting telescope in openings or in other positions where the bracket can be encountered by a running child.

2) Attach mounting bracket to wooden surface with the screws provided. Insert screws fully and check for any protrusions.

3) Snap the periscope into the bracket.



### **Safety Instructions**

BEFORE USE PLEASE INSTRUCT YOUR CHILDREN TO FOLLOW THESE SAFETY RULES WHILE ENJOYING THEIR TELESCOPE:

**DO NOT** look at the sun or any other intense light source with the telescope. SEVERE EYE DAMAGE COULD RESULT.

**DO NOT** use this telescope while running, walking, riding a bicycle, etc. INJURY FROM A FALL OR STRIKING AN UNSEEN OBSTACLE COULD OCCUR.

**DO NOT** climb on the telescope or mounting bracket. Mounting is inadequate to support the weight of a child.

TELESCOPE

19630-100 Rev B (02-21)